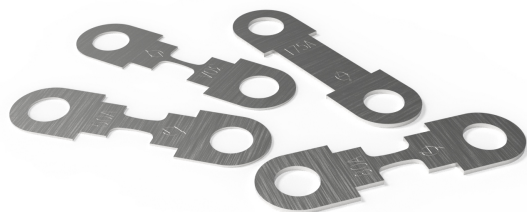


# HSB

Rated 32 V



## Specifications

<b>Voltage Rating:</b>	32 V DC
<b>Interrupting Rating:</b>	1000 A @ 32 VDC
<b>Recommended Environmental Temperature:</b>	-40 °C to +125 °C
<b>Material:</b>	Zinc Alloy
<b>Torque Bolt M6:</b>	4 Nm +/- 1 Nm

## Description

These fuses protect wires in diesel vehicles. Do not install the high-current automotive fuses in EVs or gasoline-fueled vehicles. Buy fuse holders separately.

## Features & Benefits

- Ring-type lugs ensure secure mounting
- Time- delayed
- Available with ratings of 30 A to 175 A
- Zinc alloy elements and connectors

## Applications

- Diesel vehicles

## Ordering Information

Part Number	Package Size
156.5677.xxx1	100
156.5677.xxx2	10000

# HSB

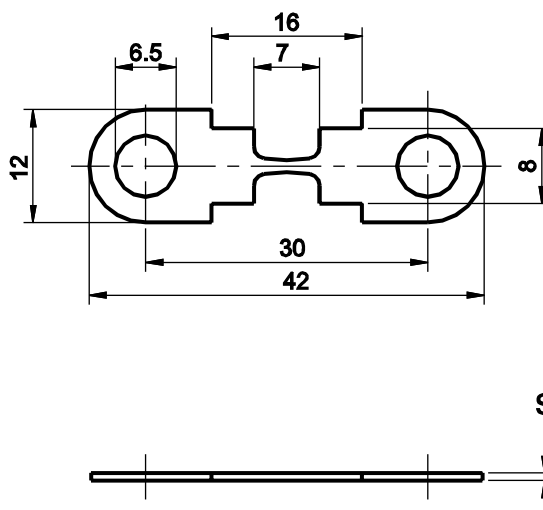
Rated 32 V

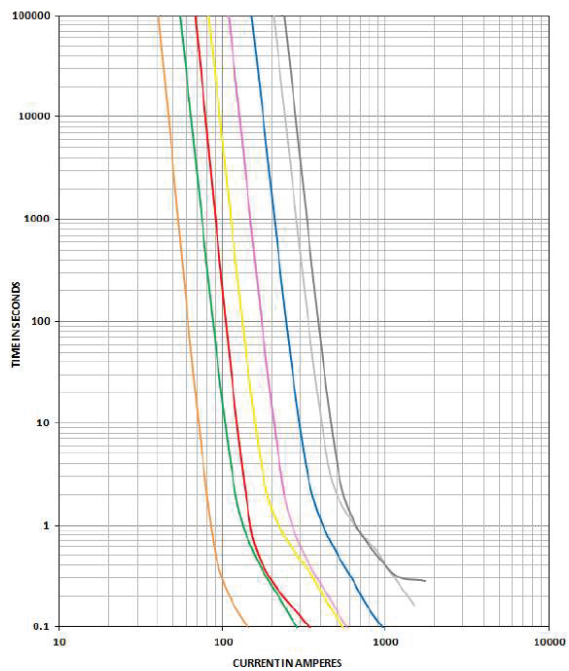
## Ratings

Part Number	Current Rating (A)	Typ. Voltage Drop (mV)	Cold Resistance (mΩ)	I <sup>2</sup> t (A <sup>2</sup> s)	Material Thickness "S" (mm)
156.5677.530_	30	44	1.33	3800	0.4
156.5677.540_	40	40	0.89	11200	0.4
156.5677.550_	50	44	0.72	21300	0.4
156.5677.560_	60	38	0.58	41400	0.4
156.5677.580_	80	40	0.43	44800	0.8
156.5677.611_	110	40	0.31	139000	0.8
156.5677.615_	150	52	0.23	465000	0.8
156.5677.617_	175	46	0.22	560000	0.8

## Dimensions

Dimensions in mm for reference only.  
See outline drawing for dimensions and tolerances





- 30 A
- 40 A
- 50 A
- 60 A
- 80 A
- 110 A
- 150 A
- 175 A