

Rectifier Diode

Type W0428##250-320

Development Type No.: WX171##250-320

Absolute Maximum Ratings

| | VOLTAGE RATINGS | MAXIMUM LIMITS | UNITS |
|------------------|---|-----------------------|--------------|
| V _{RRM} | Repetitive peak reverse voltage, (note 1) | 2500-3200 | V |
| V _{RSM} | Non-repetitive peak reverse voltage, (note 1) | 2600-3300 | V |

| | OTHER RATINGS | MAXIMUM LIMITS | UNITS |
|----------------------|--|-----------------------|------------------|
| I _{F(AV)M} | Maximum average forward current, T _{case} =55°C, (note 2) | 428 | A |
| I _{F(AV)M} | Maximum average forward current. T _{case} =70°C, (note 2) | 380 | A |
| I _{F(AV)M} | Maximum average forward current. T _{case} =100°C, (note 2) | 271 | A |
| I _{F(RMS)} | Nominal RMS forward current, T _{case} =100°C, (note 2) | 425 | A |
| I _{F(RMS)} | Nominal RMS forward current, T _{case} =25°C, (note 2) | 809 | A |
| I _{F(d.c.)} | D.C. forward current, T _{case} =25°C | 675 | A |
| I _{FSM} | Peak non-repetitive surge t _p =10ms, V _{rm} =60%V _{RRM} , (note 3) | 5500 | A |
| I _{FSM2} | Peak non-repetitive surge t _p =10ms, V _{rm} ≤10V, (note 3) | 6050 | A |
| I ² t | I ² t capacity for fusing t _p =10ms, V _{rm} =60%V _{RRM} , (note 3) | 151×10 ³ | A ² s |
| I ² t | I ² t capacity for fusing t _p =10ms, V _{rm} ≤10V, (note 3) | 183×10 ³ | A ² s |
| T _{j op} | Operating temperature range | -40 to +150 | °C |
| T _{stg} | Storage temperature range | -40 to +150 | °C |

Notes:-

- 1) De-rating factor of 0.13% per °C is applicable for T_j below 25°C.
- 2) Single phase; 50Hz, 180° half-sinewave.
- 3) Half-sinewave, 150°C T_j initial.

Characteristics

| | PARAMETER | MIN. | TYP. | MAX. | TEST CONDITIONS (Note 1) | UNITS |
|------------------------------|--------------------------------------|------|------|-------|---|-------|
| V _{FM} | Maximum peak forward voltage | - | - | 1.60 | I _{TM} =900A | V |
| V _{FM} | Maximum peak forward voltage | - | - | 1.80 | I _{TM} =1180A | V |
| V _{T0} | Threshold voltage | - | - | 0.926 | | V |
| r _T | Slope resistance | - | - | 0.739 | | mΩ |
| I _{R_{RRM}} | Peak reverse current | - | - | 15 | Rated V _{RRM} | mA |
| Q _{rr} | Recovered charge | - | 1000 | - | | μC |
| Q _{ra} | Recovered charge, 50% chord | - | 700 | 900 | I _{TM} =100A, t _P =500μs, di/dt=10A/μs, V _r =50V | μC |
| I _{rr} | Reverse recovery current | - | 75 | - | | A |
| t _{rr} | Reverse recovery time, 50% chord | - | 19 | - | | μs |
| R _{thJC} | Thermal resistance, junction to case | - | - | 0.13 | | K/W |
| R _{thCK} | Thermal resistance, case to heatsink | - | - | 0.04 | | K/W |
| F | Mounting torque | 24 | - | 30 | | Nm |
| W _t | Weight | - | 175 | - | Outline E | g |
| | | - | 250 | - | Outline F | |

Notes:-

1) Unless otherwise indicated T_j=150°C.

Notes on Ratings and Characteristics

1.0 Voltage Grade Table

| Voltage Grade | V_{RRM} V | V_{RSM} V | V_R DC V |
|---------------|----------------|----------------|---------------|
| 25 | 2500 | 2600 | 1500 |
| 28 | 2800 | 2900 | 1650 |
| 32 | 3200 | 3300 | 1850 |

2.0 Extension of Voltage Grades

This report is applicable to other voltage grades when supply has been agreed by Sales/Production.

3.0 De-rating Factor

A blocking voltage de-rating factor of 0.13%/°C is applicable to this device for T_j below 25°C.

4.0 Snubber Components

When selecting snubber components, care must be taken not to use excessively large values of snubber capacitor or excessively small values of snubber resistor. Such excessive component values may lead to device damage due to the large resultant values of snubber discharge current. If required, please consult the factory for assistance.

5.0 Computer Modelling Parameters

5.1 Device Dissipation Calculations

$$I_{AV} = \frac{-V_{T0} + \sqrt{V_{T0}^2 + 4 \cdot ff^2 \cdot r_T \cdot W_{AV}}}{2 \cdot ff^2 \cdot r_T} \quad \text{and:} \quad W_{AV} = \frac{\Delta T}{R_{th}}$$

$$\Delta T = T_{jmax} - T_K$$

Where $V_{T0}=0.926V$, $r_T=0.739m\Omega$,

R_{th} = Supplementary thermal impedance, see table below and

ff = Form factor, see table below.

| Supplementary Thermal Impedance | | | | |
|---------------------------------|---------------|----------------|---------------|-------|
| Conduction Angle | 6 phase (60°) | 3 phase (120°) | ½ wave (180°) | d.c. |
| Square wave | 0.174 | 0.153 | 0.143 | 0.130 |
| Sine wave | 0.172 | 0.153 | 0.149 | |

| Form Factors | | | | |
|------------------|---------------|----------------|---------------|------|
| Conduction Angle | 6 phase (60°) | 3 phase (120°) | ½ wave (180°) | d.c. |
| Square wave | 2.449 | 1.732 | 1.414 | 1 |
| Sine wave | 2.778 | 1.879 | 1.57 | |

5.2 Calculating V_F using ABCD Coefficients

The on-state characteristic I_F vs. V_F , on page 6 is represented in two ways;

- (i) the well established V_{T0} and r_T tangent used for rating purposes and
- (ii) a set of constants A, B, C, D, forming the coefficients of the representative equation for V_F in terms of I_F given below:

$$V_F = A + B \cdot \ln(I_F) + C \cdot I_F + D \cdot \sqrt{I_F}$$

The constants, derived by curve fitting software, are given below for both hot and cold characteristics. The resulting values for V_F agree with the true device characteristic over a current range, which is limited to that plotted.

| 25°C Coefficients | | 150°C Coefficients | |
|-------------------|--------------------------|--------------------|---------------------------|
| A | 0.7795642 | A | 0.6340984 |
| B | 0.04590695 | B | 0.04112559 |
| C | 4.64903×10^{-4} | C | 5.72979×10^{-4} |
| D | 2.19035×10^{-3} | D | 5.790022×10^{-3} |

6.0 Reverse recovery ratings

- (i) Q_{rr} is based on 50% I_{RM} chord as shown in Fig. 1

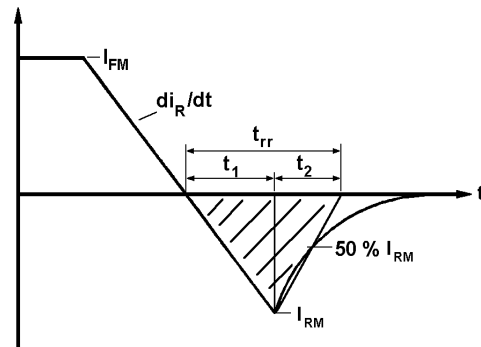


Fig. 1

- (ii) Q_{rr} is based on a $150\mu s$ integration time i.e.

$$Q_{rr} = \int_0^{150\mu s} i_{rr} \cdot dt$$

- (iii)

$$K \text{ Factor} = \frac{t_1}{t_2}$$

Curves

Figure 1 - Forward characteristics of Limit device

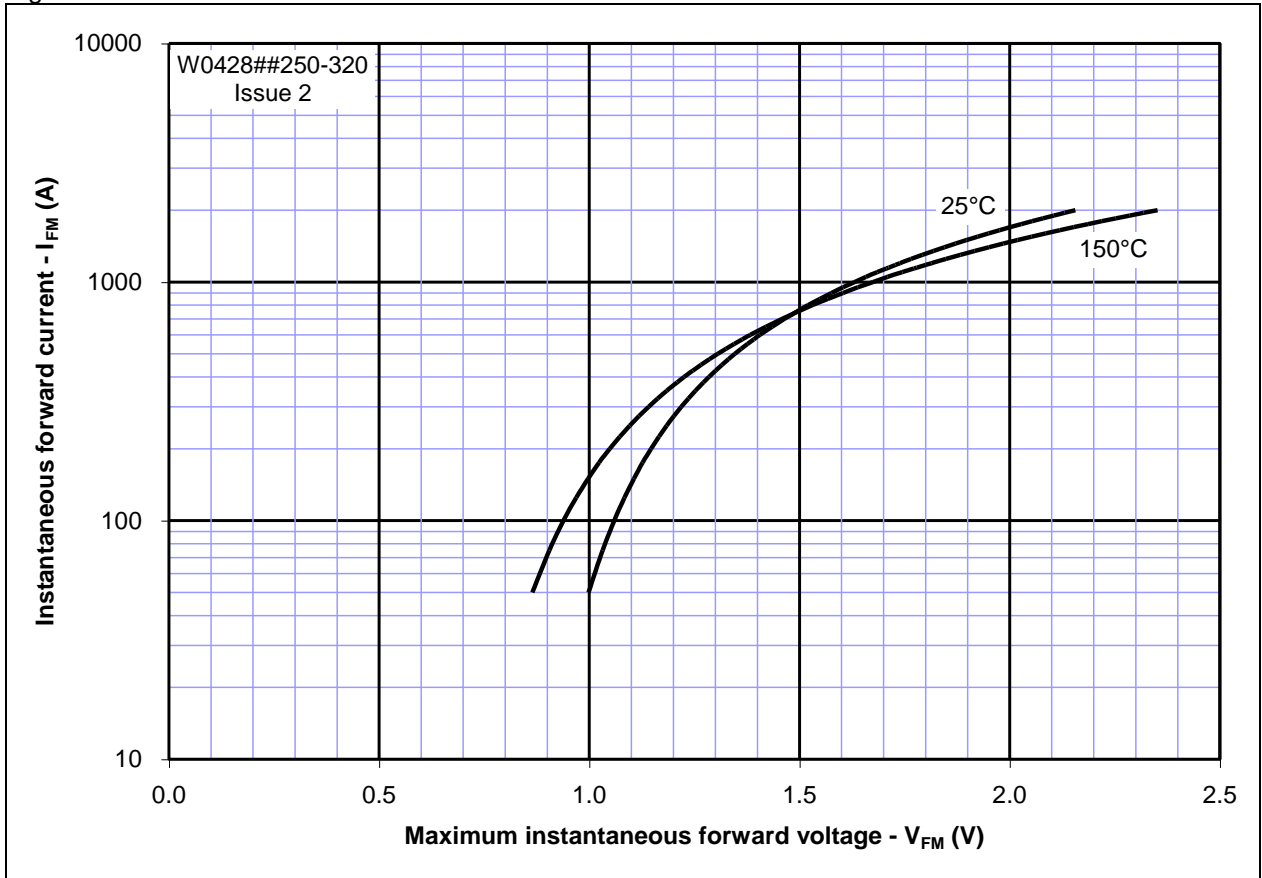


Figure 2 - Maximum surge and I^2t ratings

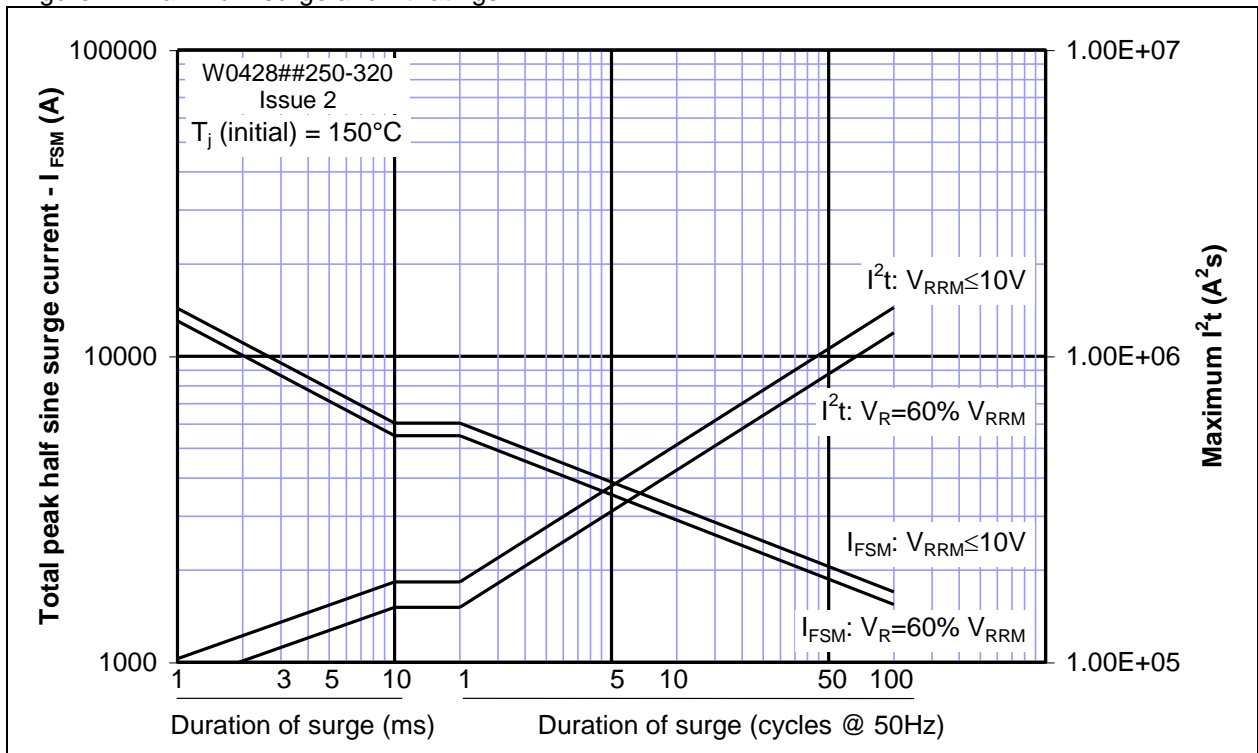


Figure 3 – Total recovered charge, Q_{rr}

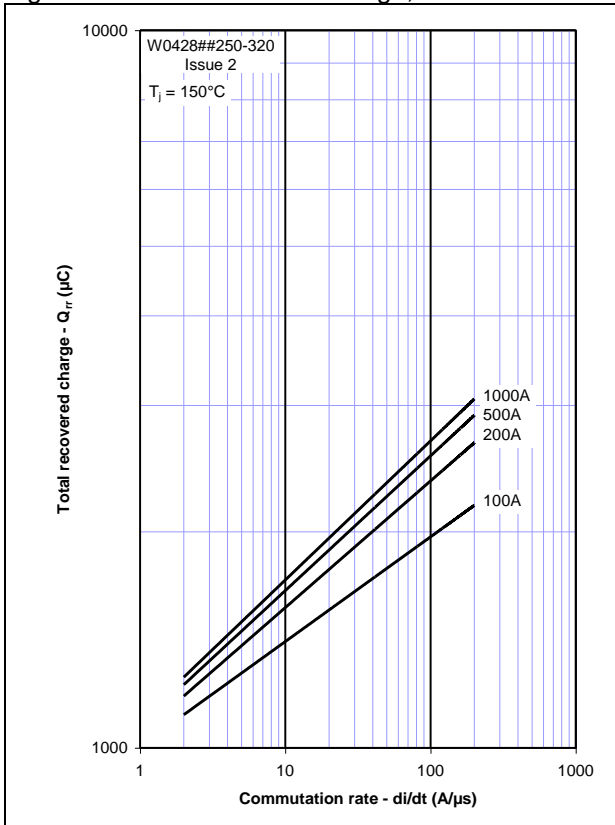


Figure 4 – Recovered charge, Q_{ra} (50% chord)

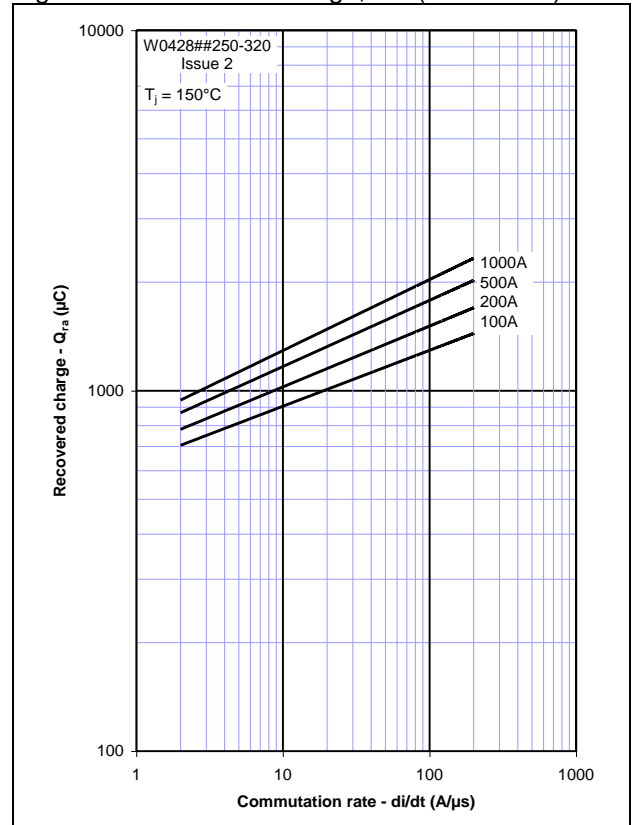


Figure 5 – Peak reverse recovery current, I_{rm}

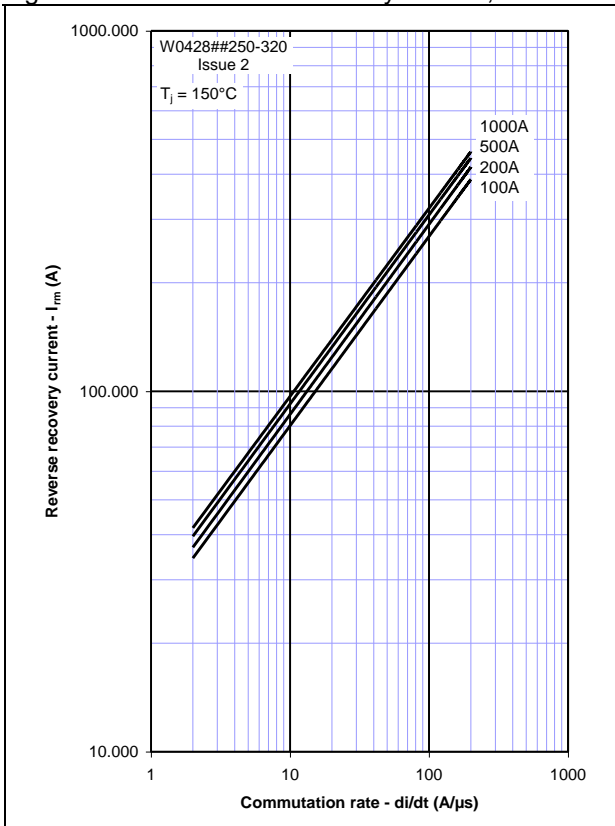


Figure 6 – Maximum recovery time, t_{rr} (50% chord)

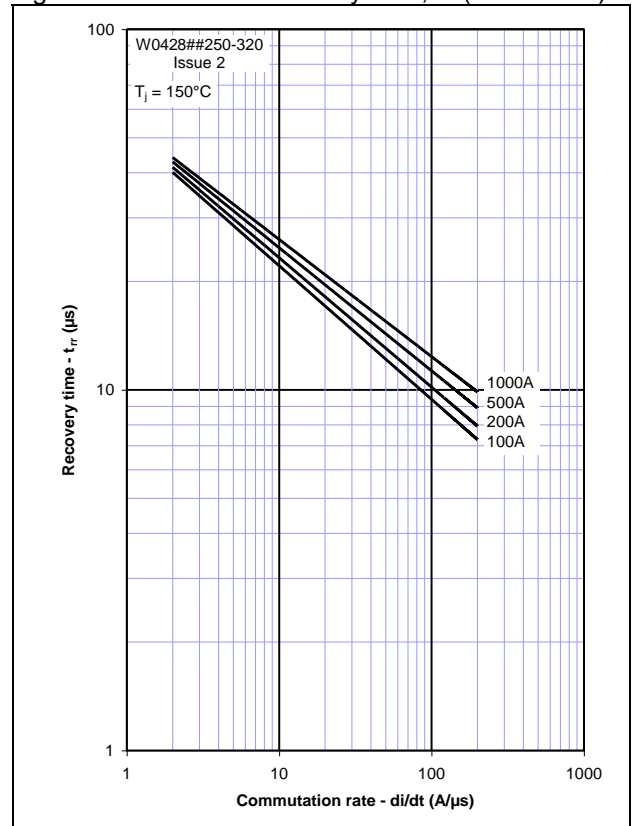


Figure 7 – Forward current vs. Power dissipation

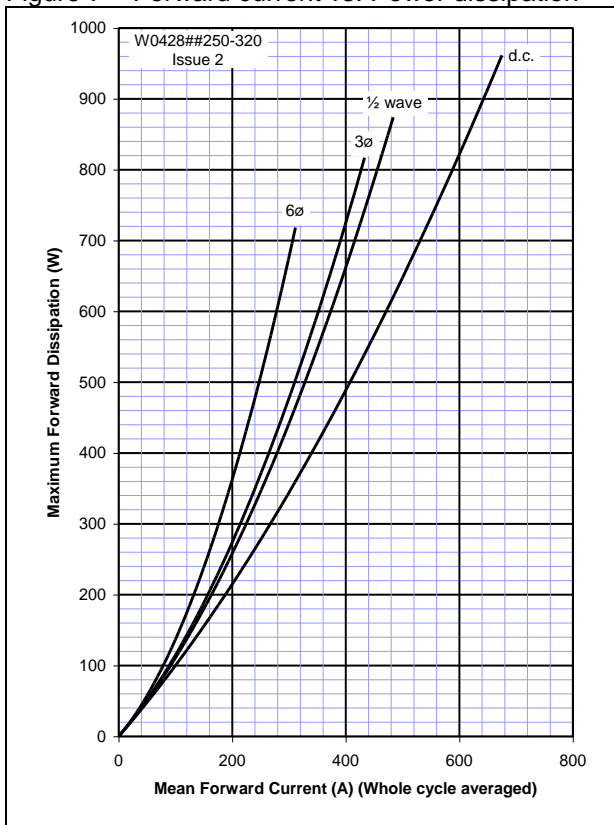


Figure 8 – Forward current vs. Heatsink temperature

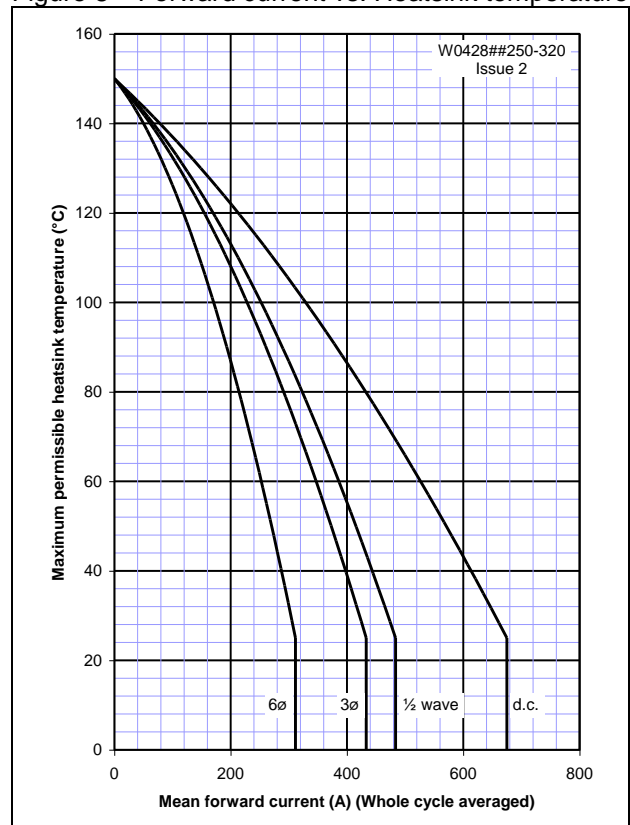
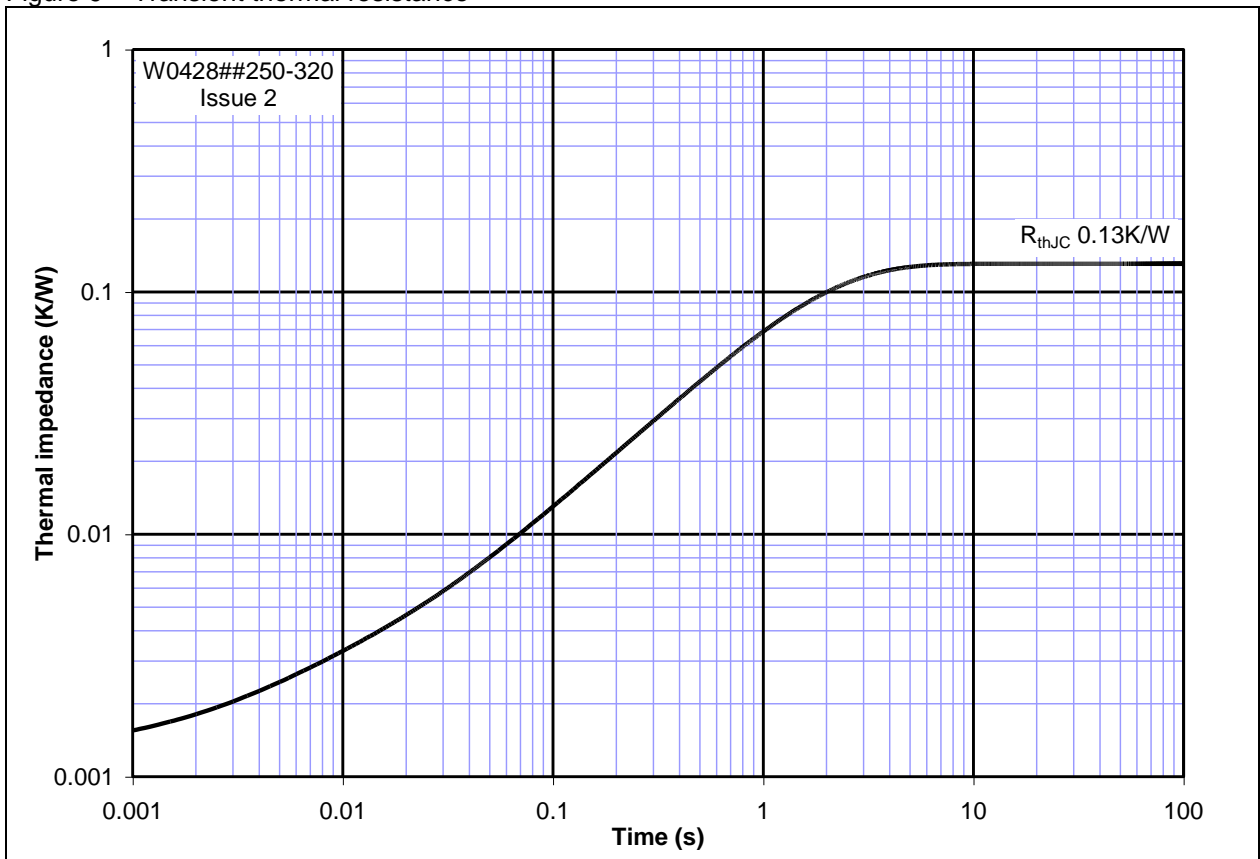
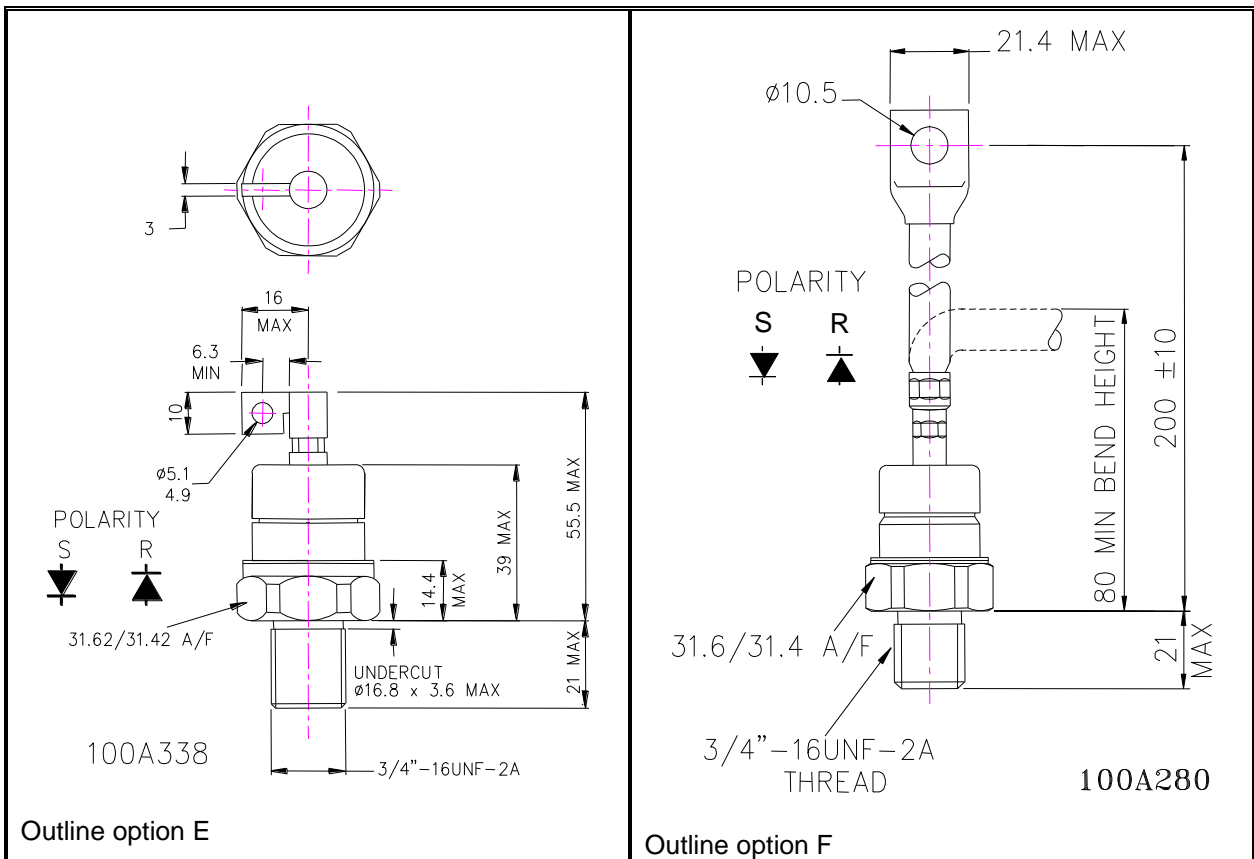


Figure 9 – Transient thermal resistance



Outline Drawing & Ordering Information



ORDERING INFORMATION (Please quote 13 digit code as below)

| W0428 | # | # | ♦♦ | 0 |
|-----------------|---|--|--|------------|
| Fixed Type Code | Polarity code R = Base Anode S = Base Cathode | Outline code E=3/4" HV ceramic stud + lug F=3/4" HV ceramic stud | Voltage Code V _{DRM} /100 25-32 | Fixed code |

Typical order code: W0428SE250 – 2500V V_{RRM}, cathode base, 3/4" high voltage stud, ceramic housing with lug

IXYS Semiconductor GmbH
Edisonstraße 15
D-68623 Lampertheim
Tel: +49 6206 503-0
Fax: +49 6206 503-627
E-mail: marcom@ixys.de



IXYS UK Westcode Ltd
Langley Park Way, Langley Park,
Chippenham, Wiltshire, SN15 1GE.
Tel: +44 (0)1249 455500
Fax: +44 (0)1249 659448
E-mail: sales@ixysuk.com

IXYS Corporation
1590 Buckeye Drive
Milpitas CA 95035 7418 USA
Tel: +1 (408) 547 9000
Fax: +1 (408) 496 0670
E-mail: sales@ixys.net

www.ixysuk.com
www.ixys.com

IXYS Long Beach Inc
2500 Mira Mar Ave, Long Beach
CA 90815
Tel: +1 (562) 296 6584
Fax: +1 (562) 296 6585
E-mail: service@ixyslongbeach.com

The information contained herein is confidential and is protected by Copyright. The information may not be used or disclosed except with the written permission of and in the manner permitted by the proprietors IXYS UK Westcode Ltd. © IXYS UK Ltd.

In the interest of product improvement, IXYS UK Westcode Ltd reserves the right to change specifications at any time without prior notice.

Devices with a suffix code (2-letter, 3-letter or letter/digit/letter combination) added to their generic code are not necessarily subject to the conditions and limits contained in this report.



Disclaimer Notice - Information furnished is believed to be accurate and reliable. However, users should independently evaluate the suitability of and test each product selected for their own applications. Littelfuse products are not designed for, and may not be used in, all applications. Read complete Disclaimer Notice at www.littelfuse.com/disclaimer-electronics.