

XPT IGBT

tentative

$$V_{CES} = 1200V$$

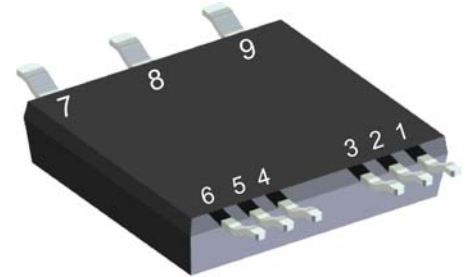
$$I_{C25} = 61A$$

$$V_{CE(sat)} = 1.8V$$

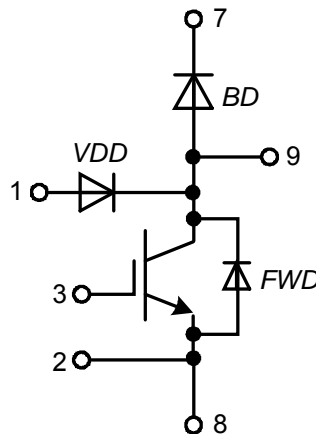
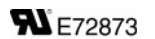
ISOPLUS™ Surface Mount Power Device
 Boost Topology
 XPT IGBT

Part number

IXA40RG1200DHGLB



Backside: isolated



Features / Advantages:

- XPT IGBT
 - low saturation voltage
 - positive temperature coefficient for easy paralleling
 - fast switching
 - short tail current for optimized performance in resonant circuits
- Sonic™ diode
 - fast reverse recovery
 - low operating forward voltage
 - low leakage current
 - low temperature dependency of reverse recovery
- Vcesat detection diode (VDD)
 - integrated into package
 - very fast diode

Applications:

- AC drives
 - brake chopper
- PFC
 - boost chopper
- Switched reluctance drives

Package: SMPD

- Industry convenient outline
- RoHS compliant
- Epoxy meets UL 94V-0
- Soldering pins for PCB mounting
- Backside: DCB ceramic
- Reduced weight
- Advanced power cycling
- Isolation Voltage: 3000 V~

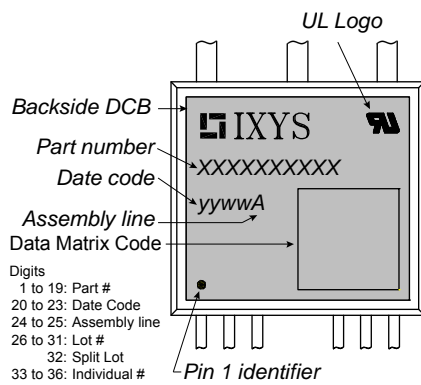
Free Wheeling Diode FWD				Ratings			
Symbol	Definition	Conditions	min.	typ.	max.	Unit	
V_{RSM}	max. non-repetitive reverse blocking voltage	$T_{VJ} = 25^{\circ}\text{C}$			1200	V	
V_{RRM}	max. repetitive reverse blocking voltage	$T_{VJ} = 25^{\circ}\text{C}$			1200	V	
I_R	reverse current, drain current	$V_R = 1200\text{ V}$	$T_{VJ} = 25^{\circ}\text{C}$		30	μA	
		$V_R = 1200\text{ V}$	$T_{VJ} = 125^{\circ}\text{C}$		0.5	mA	
V_F	forward voltage drop	$I_F = 30\text{ A}$	$T_{VJ} = 25^{\circ}\text{C}$		2.20	V	
						V	
		$I_F = 60\text{ A}$	$T_{VJ} = 25^{\circ}\text{C}$		2.20	V	
			$T_{VJ} = 125^{\circ}\text{C}$			V	
I_{FAV}	average forward current	$T_C = 80^{\circ}\text{C}$ rectangular $d = 0.5$	$T_{VJ} = 150^{\circ}\text{C}$		25	A	
V_{FO}	threshold voltage	} for power loss calculation only	$T_{VJ} = 150^{\circ}\text{C}$		1.26	V	
r_F	slope resistance				28	m Ω	
R_{thJC}	thermal resistance junction to case				1	K/W	
R_{thCH}	thermal resistance case to heatsink			0.30		K/W	
P_{tot}	total power dissipation		$T_C = 25^{\circ}\text{C}$		125	W	
I_{FSM}	max. forward surge current	$t = 10\text{ ms}; (50\text{ Hz}), \text{ sine}; V_R = 0\text{ V}$	$T_{VJ} = 45^{\circ}\text{C}$		200	A	
C_J	junction capacitance	$V_R = 400\text{ V}$ $f = 1\text{ MHz}$	$T_{VJ} = 25^{\circ}\text{C}$		13	pF	

VCEsat Detection Diode VDD				Ratings			
Symbol	Definition	Conditions	min.	typ.	max.	Unit	
V_{RRM}	max. repetitive reverse blocking voltage	$T_{VJ} = 25^{\circ}\text{C}$			1200	V	
I_R	reverse current, drain current	$V_{R/D} = 1200\text{ V}$	$T_{VJ} = 25^{\circ}\text{C}$		2	μA	
		$V_{R/D} = 1200\text{ V}$	$T_{VJ} = 125^{\circ}\text{C}$		0.03	mA	
V_F	forward voltage drop	$I_F = 1\text{ A}$	$T_{VJ} = 25^{\circ}\text{C}$		2.20	V	
			$T_{VJ} = 125^{\circ}\text{C}$		1.80	V	
V_{FO}	threshold voltage	} for power loss calculation only	$T_{VJ} = 150^{\circ}\text{C}$		1.30	V	
r_F	slope resistance				390	m Ω	
C_J	junction capacitance	$V_R = 400\text{ V}; f = 1\text{ MHz}$	$T_{VJ} = 25^{\circ}\text{C}$		tbd	pF	
I_{RM}	max. reverse recovery current	} $V_R = 100\text{ V}; I_F = 1\text{ A}$ $-di/dt = 100\text{ A}/\mu\text{s}$	$T_{VJ} = 25^{\circ}\text{C}$		2.3	A	
t_{rr}	reverse recovery time		$T_{VJ} = 125^{\circ}\text{C}$		tbd	A	
			$T_{VJ} = 25^{\circ}\text{C}$		40	ns	
			$T_{VJ} = 125^{\circ}\text{C}$		tbd	ns	

Boost IGBT				Ratings				
Symbol	Definition	Conditions	min.	typ.	max.	Unit		
V_{CES}	collector emitter voltage	$T_{VJ} = 25^{\circ}\text{C}$			1200	V		
V_{GES}	max. DC gate voltage				± 20	V		
V_{GEM}	max. transient collector gate voltage				± 30	V		
I_{C25}	collector current	$T_C = 25^{\circ}\text{C}$			61	A		
I_{C80}		$T_C = 80^{\circ}\text{C}$			43	A		
P_{tot}	total power dissipation	$T_C = 25^{\circ}\text{C}$			215	W		
$V_{CE(sat)}$	collector emitter saturation voltage	$I_C = 35\text{ A}; V_{GE} = 15\text{ V}$			1.8	V		
					2.1	V		
$V_{GE(th)}$	gate emitter threshold voltage	$I_C = 1.5\text{ mA}; V_{CE} = V_{CE}$	5.4	5.9	6.5	V		
I_{CES}	collector emitter leakage current	$V_{CE} = V_{CES}; V_{GE} = 0\text{ V}$			0.1	mA		
					0.1	mA		
I_{GES}	gate emitter leakage current	$V_{GE} = \pm 20\text{ V}$			500	nA		
$Q_{G(on)}$	total gate charge	$V_{CE} = 600\text{ V}; V_{GE} = 15\text{ V}; I_C = 35\text{ A}$		107		nC		
$t_{d(on)}$	turn-on delay time	inductive load $V_{CE} = 600\text{ V}; I_C = 35\text{ A}$ $V_{GE} = \pm 15\text{ V}; R_G = 27\ \Omega$						
t_r	current rise time						70	ns
$t_{d(off)}$	turn-off delay time						40	ns
t_f	current fall time						250	ns
E_{on}	turn-on energy per pulse						100	ns
E_{off}	turn-off energy per pulse						3.8	mJ
E_{off}		4.1	mJ					
RBSOA	reverse bias safe operating area	$V_{GE} = \pm 15\text{ V}; R_G = 27\ \Omega$						
I_{CM}		$V_{CEmax} = 1200\text{ V}$			105	A		
SCSOA	short circuit safe operating area	$V_{CEmax} = 1200\text{ V}$						
t_{sc}	short circuit duration	$V_{CE} = 900\text{ V}; V_{GE} = \pm 15\text{ V}$			10	μs		
I_{sc}	short circuit current	$R_G = 27\ \Omega; \text{non-repetitive}$			140	A		
R_{thJC}	thermal resistance junction to case				0.58	K/W		
R_{thCH}	thermal resistance case to heatsink				0.17	K/W		
Boost Diode BD								
V_{RRM}	max. repetitive reverse voltage	$T_{VJ} = 25^{\circ}\text{C}$			1200	V		
I_{F25}	forward current	$T_C = 25^{\circ}\text{C}$			48	A		
I_{F80}		$T_C = 80^{\circ}\text{C}$			32	A		
V_F	forward voltage	$I_F = 30\text{ A}$			2.20	V		
					1.90	V		
I_R	reverse current	$V_R = V_{RRM}$			0.03	mA		
					0.15	mA		
Q_{rr}	reverse recovery charge	$V_R = 600\text{ V}$ $-di_F/dt = 600\text{ A}/\mu\text{s}$ $I_F = 30\text{ A}; V_{GE} = 0\text{ V}$						
I_{RM}	max. reverse recovery current						3.5	μC
t_{rr}	reverse recovery time						30	A
E_{rec}	reverse recovery energy						350	ns
E_{rec}		0.9	mJ					
R_{thJC}	thermal resistance junction to case				1	K/W		
R_{thCH}	thermal resistance case to heatsink				0.3	K/W		

tentative

Package SMPD		Ratings				
Symbol	Definition	Conditions	min.	typ.	max.	Unit
I_{RMS}	RMS current	per terminal			100	A
T_{stg}	storage temperature		-55		150	°C
T_{vj}	virtual junction temperature		-55		150	°C
Weight				8.5		g
F_C	mounting force with clip		40		130	N
V_{ISOL}	isolation voltage	t = 1 second	3000			V
		t = 1 minute	2500			V
$d_{Spp/App}$	creepage distance on surface striking distance through air	terminal to terminal	1.6			mm
		terminal to backside	4.0			mm



Part number

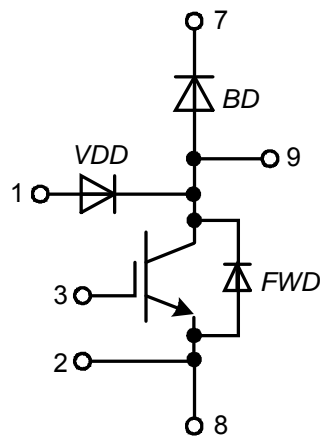
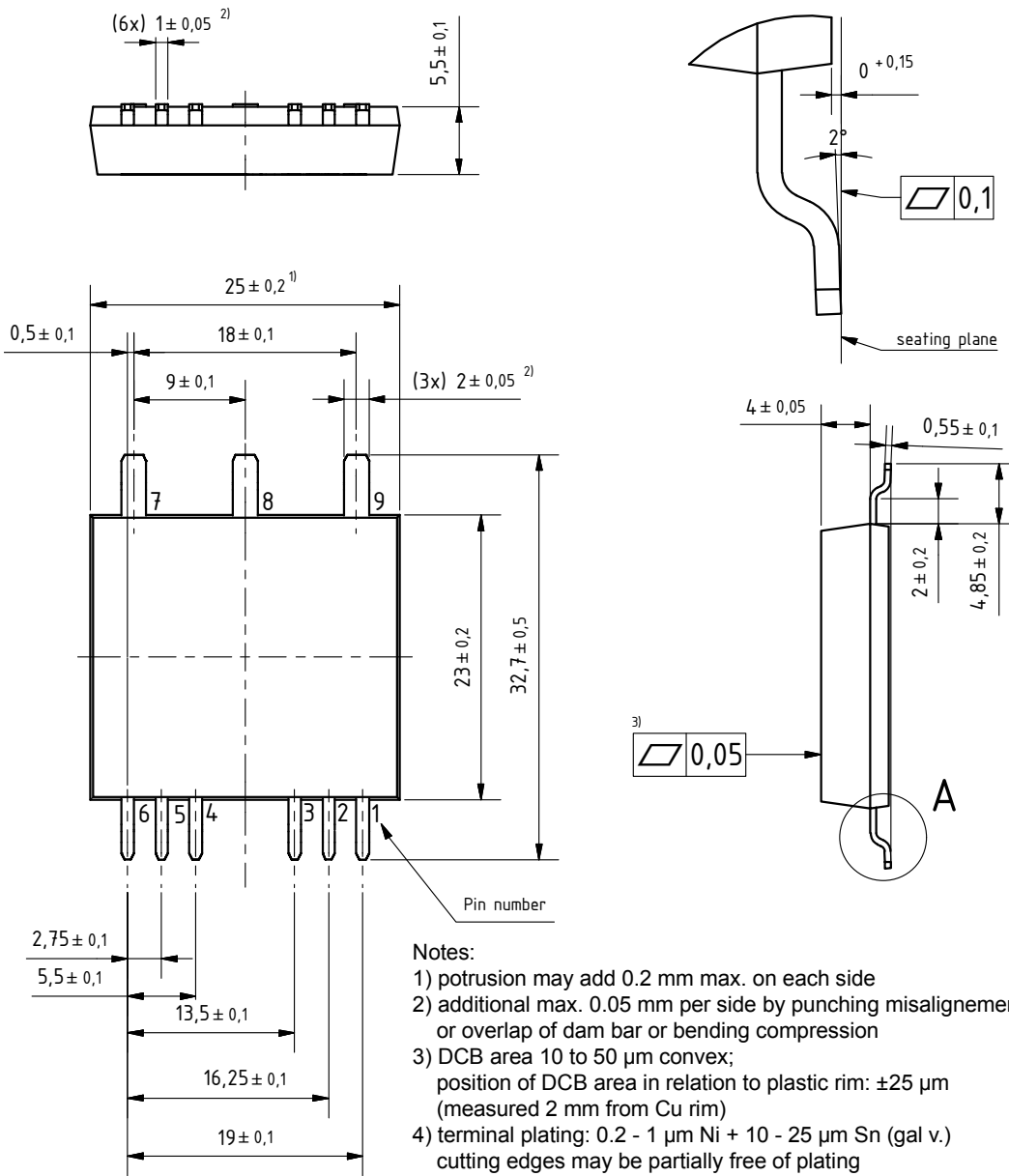
- I = IGBT
- X = XPT IGBT
- A = Gen 1 / std
- 40 = Current Rating [A]
- RG = boost configuration
- 1200 = Reverse Voltage [V]
- D = IGBT
- H = XPT IGBT
- G = Gen 1 / std
- LB = SMPD-B

Ordering	Part Number	Marking on Product	Delivery Mode	Quantity	Code No.
Standard	IXA40RG1200DHGLB	IXA40RG1200DHGLB	Blister	45	512363
Alternative	IXA40RG1200DHGLB-TRR	IXA40RG1200DHGLB	Tape & Reel	200	511661

Similar Part	Package	Voltage class
IXA20RG1200DHGLB	SMPD-B	1200
IXA30RG1200DHGLB	SMPD-B	1200

Outlines SMPD

A (8 : 1)



Boost IGBT

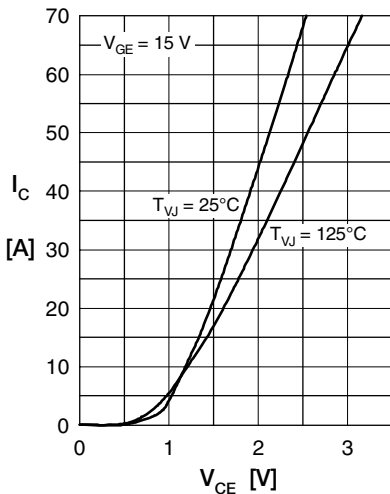


Fig. 1 Typ. output characteristics

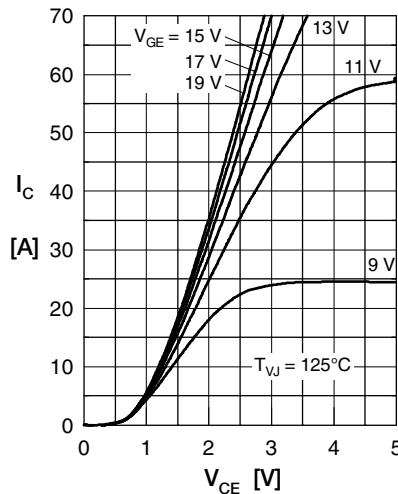


Fig. 2 Typ. output characteristics

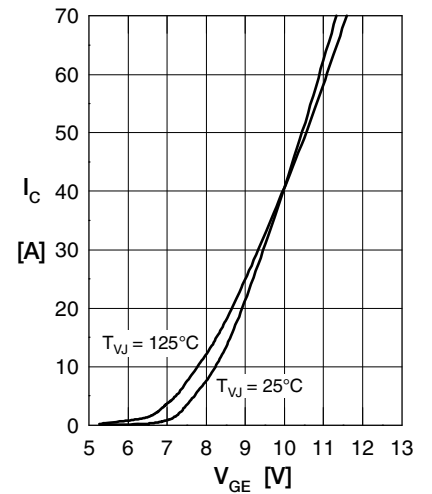


Fig. 3 Typ. transfer characteristics

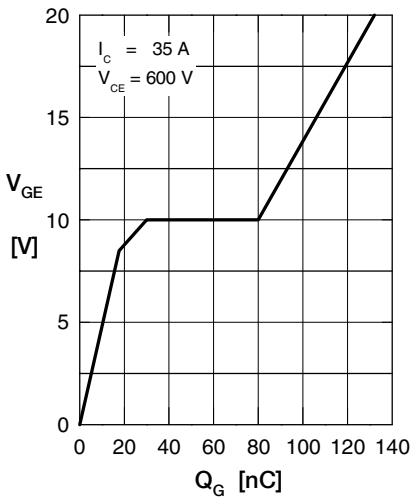


Fig. 4 Typ. turn-on gate charge

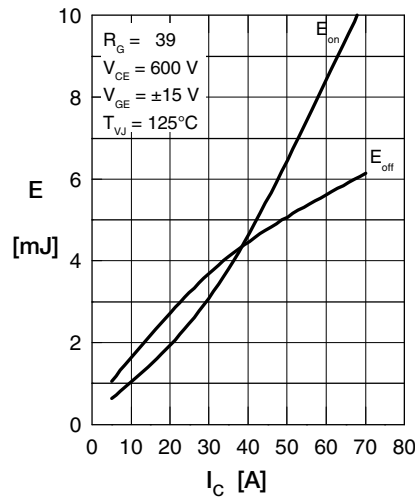


Fig. 5 Typ. switching energy versus collector current

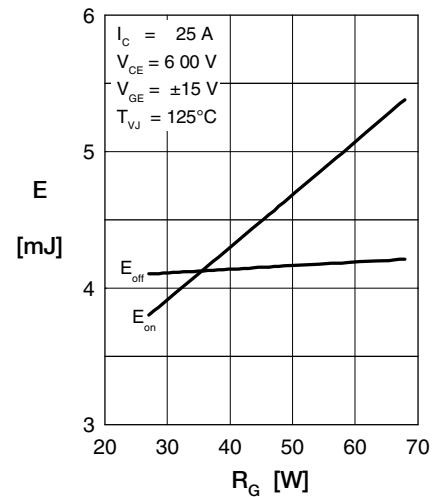


Fig. 6 Typ. switching energy versus gate resistance

Fig. 7 Typ. transient thermal impedance junction to case

Boost Diode BD

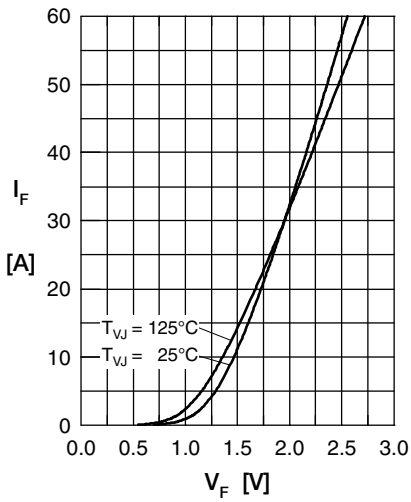


Fig. 1 Typ. Forward current versus V_F

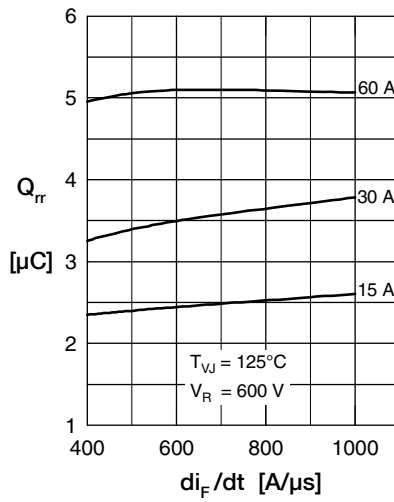


Fig. 2 Typ. reverse recov.charge Q_{rr} versus di_F/dt

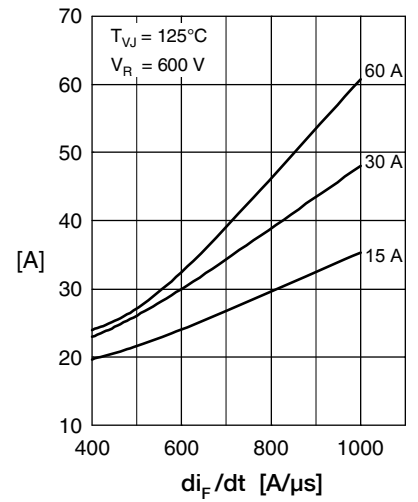


Fig. 3 Typ. peak reverse current I_{RM} versus di/dt

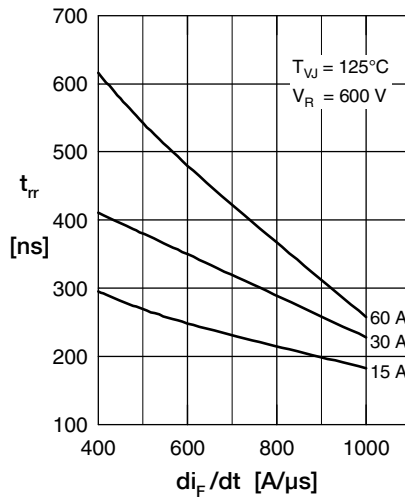


Fig. 4 Dynamic parameters Q_{rr} , I_{RM} versus di/dt

Fig. 5 Typ. recovery time t_{rr} versus di/dt

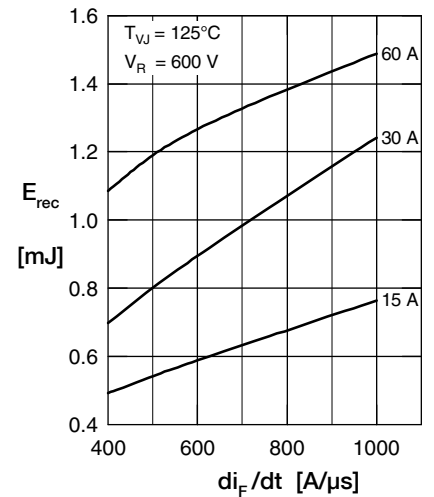


Fig. 6 Typ. recovery energy E_{rec} versus di/dt

Fig. 7 Typ. transient thermal impedance junction to case



Disclaimer Notice - Information furnished is believed to be accurate and reliable. However, users should independently evaluate the suitability of and test each product selected for their own applications. Littelfuse products are not designed for, and may not be used in, all applications. Read complete Disclaimer Notice at www.littelfuse.com/disclaimer-electronics.