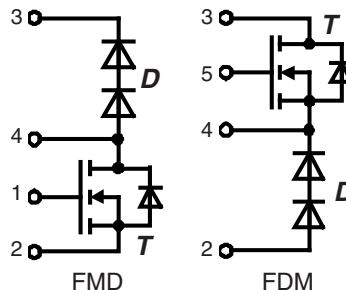


# CoolMOS™<sup>1)</sup> Power MOSFET with HiPerDyn™ FRED

## Buck and Boost Topologies

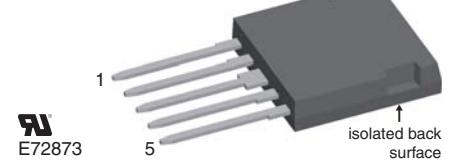
Electrically isolated back surface  
2500 V electrical isolation  
N-Channel Enhancement Mode  
Low  $R_{DS(on)}$ , high  $V_{DSS}$  MOSFET  
Ultra low gate charge



$$I_{D25} = 15 \text{ A}$$

$$V_{DSS} = 600 \text{ V}$$

$$R_{DS(on) \text{ max}} = 0.165 \Omega$$

**ISOPLUS i4™**

**Features**

- Silicon chip on Direct-Copper-Bond substrate
  - high power dissipation
  - isolated mounting surface
  - 2500 V electrical isolation
  - low drain to tab capacitance (< 40 pF)
- Fast CoolMOS™<sup>1)</sup> power MOSFET 4<sup>th</sup> generation
  - high blocking capability
  - lowest resistance
  - avalanche rated for unclamped inductive switching (UIS)
  - low thermal resistance due to reduced chip thickness
- Enhanced total power density
- HiPerDyn™ FRED
  - consisting of series connected diodes
  - enhanced dynamic behaviour for high frequency operation

**Applications**

- Switched mode power supplies (SMPS)
- Uninterruptible power supplies (UPS)
- Power factor correction (PFC)

**Advantages**

- Easy assembly: no screws or isolation foils required
- Space savings
- High power density
- High reliability

<sup>1)</sup> CoolMOS™ is a trademark of Infineon Technologies AG.

MOSFET T		Maximum Ratings	
Symbol	Conditions		
$V_{DSS}$	$T_{VJ} = 25^\circ\text{C}$	600	V
$V_{GS}$		$\pm 20$	V
$I_{D25}$	$T_C = 25^\circ\text{C}$	15	A
$I_{D90}$	$T_C = 90^\circ\text{C}$	11	A
$E_{AS}$	single pulse } $I_D = 7.9 \text{ A}; T_C = 25^\circ\text{C}$ repetitive	522	mJ
$E_{AR}$		0.79	mJ
$dV/dt$	MOSFET $dV/dt$ ruggedness $V_{DS} = 0 \dots 480 \text{ V}$	50	V/ns

Symbol	Conditions	Characteristic Values			
		$(T_{VJ} = 25^\circ\text{C}, \text{ unless otherwise specified})$			
		min.	typ.	max.	
$R_{DS(on)}$	$V_{GS} = 10 \text{ V}; I_D = 12 \text{ A}$		150	165	m $\Omega$
$V_{GS(th)}$	$V_{DS} = V_{GS}; I_D = 0.79 \text{ mA}$	2.5	3	3.5	V
$I_{DSS}$	$V_{DS} = 600 \text{ V}; V_{GS} = 0 \text{ V}$			1	$\mu\text{A}$
				10	$\mu\text{A}$
$I_{GSS}$	$V_{GS} = \pm 20 \text{ V}; V_{DS} = 0 \text{ V}$			100	nA
$C_{iss}$	} $V_{GS} = 0 \text{ V}; V_{DS} = 100 \text{ V}$ $f = 1 \text{ MHz}$		2000		pF
$C_{oss}$				100	
$Q_g$	} $V_{GS} = 0 \text{ to } 10 \text{ V}; V_{DS} = 400 \text{ V}; I_D = 12 \text{ A}$		40	52	nC
$Q_{gs}$			9		nC
$Q_{gd}$			13		nC
$t_{d(on)}$	} $V_{GS} = 10 \text{ V}; V_{DS} = 400 \text{ V}$ $I_D = 12 \text{ A}; R_G = 3.3 \Omega$		12		ns
$t_r$			5		ns
$t_{d(off)}$			50		ns
$t_f$			5		ns
$E_{on}$			tbd		mJ
$E_{off}$			tbd		mJ
$E_{rec off}$			tbd		mJ
$R_{thJC}$			1.1		K/W
$R_{thCH}$	with heat transfer paste	0.35			K/W

**MOSFET T Source-Drain Diode**

Symbol	Conditions	Characteristic Values			
		min.	typ.	max.	
( $T_{VJ} = 25^{\circ}\text{C}$ , unless otherwise specified)					
$I_S$	$V_{GS} = 0\text{ V}$			12	A
$V_{SD}$	$I_F = 12\text{ A}; V_{GS} = 0\text{ V}$		0.9	1.2	V
$t_{rr}$	$I_F = 12\text{ A}; -di_F/dt = 100\text{ A}/\mu\text{s}; V_R = 400\text{ V}$		390		ns
$Q_{RM}$			7.5		$\mu\text{C}$
$I_{RM}$			38		A

**Diode D (data for series connection)**

Symbol	Conditions	Maximum Ratings	
$V_{RRM}$	$T_{VJ} = 25^{\circ}\text{C to } 150^{\circ}\text{C}$	600	V
$I_{F25}$	$T_C = 25^{\circ}\text{C}$	15	A
$I_{F90}$	$T_C = 90^{\circ}\text{C}$	8	A

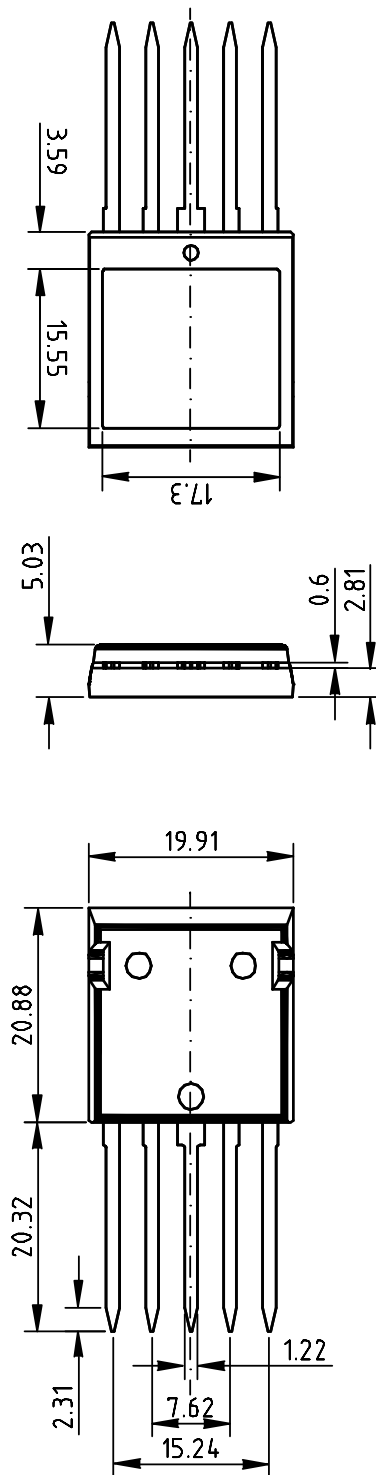
Symbol	Conditions	Characteristic Values			
		min.	typ.	max.	
$V_F$	$I_F = 15\text{ A}$	$T_{VJ} = 25^{\circ}\text{C}$		2.50	V
				3.00	V
	$I_F = 30\text{ A}$	$T_{VJ} = 150^{\circ}\text{C}$		2.00	A
				2.55	A
$I_R$	$V_R = V_{RRM}$	$T_{VJ} = 25^{\circ}\text{C}$		1	$\mu\text{A}$
		$T_{VJ} = 150^{\circ}\text{C}$		0.08	mA
$I_{FSM}$	$t = 10\text{ ms (50 Hz), sine};$	$T_{VJ} = 45^{\circ}\text{C}$		150	A
$I_{RM}$	$I_F = 20\text{ A}; V_R = 100\text{ V};$ $-di_F/dt = 200\text{ A}/\mu\text{s}$	$T_{VJ} = 25^{\circ}\text{C}$		3	A
$t_{rr}$				35	ns
$R_{thJC}$	with heat transfer paste			2.4	K/W
$R_{thJH}$		0.8			K/W

**Component**

Symbol	Conditions	Maximum Ratings	
$T_{VJ}$	operating	-55...+150	$^{\circ}\text{C}$
$T_{stg}$	storage	-55...+125	$^{\circ}\text{C}$
$V_{ISOL}$	$I_{ISOL} < 1\text{ mA}; 50/60\text{ Hz}$	2500	V~
$F_C$	mounting force with clip	20...120	N

Symbol	Conditions	Characteristic Values			
		min.	typ.	max.	
$C_P$	coupling capacity between shorted pins and mounting tab in the case		40		pF
$d_S, d_A$	pin - pin	1.7			mm
$d_S, d_A$	pin - backside metal	5.5			mm
Weight			9		g

ISOPLUS i4™ Outline





---

Disclaimer Notice - Information furnished is believed to be accurate and reliable. However, users should independently evaluate the suitability of and test each product selected for their own applications. Littelfuse products are not designed for, and may not be used in, all applications. Read complete Disclaimer Notice at [www.littelfuse.com/disclaimer-electronics](http://www.littelfuse.com/disclaimer-electronics).