

### 150HV Series Heavy Duty In-line Holder for 3AB/AG



#### Product Characteristics

<b>Compatible Fuses</b>	3AB/AG Fuses
<b>Electrical</b>	Intended for use at 600 VAC/DC max rated up to 20 amperes.*
<b>Molded Parts</b>	Body and knob are Black Thermoset (UL94 V-0). Both body and knob have a 0.20" diameter hole for insulated wire.
<b>Knob</b>	Bayonet-lock type metal insert.
<b>Ambient Temperature</b>	-40°C to + 85°C
<b>Contact Rivet</b>	Brass. Tin plated
<b>Assembled</b>	Supplied with 19" loop of #14 AWG red vinyl insulated wire

**Notes:**

\* Refer to [Fuseology](#) for information on proper fuseholder re-rating.

#### Agency Approval

Agency	Agency File Number
	E14721*

**Notes:**  
\* cURus for 150603 only

#### Additional Information



Datasheet

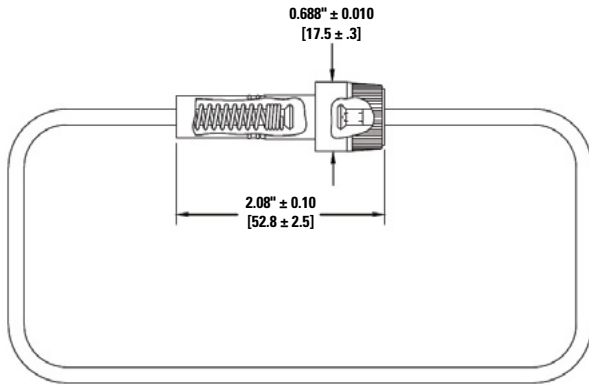


Resources



Samples

#### 19" Loop of 14 AWG Stretched Cu Wire



**Warning:** Electrical Shock. Power must be disconnected prior to handling fuse.

#### Ordering Information

Ordering Number	Catalog Number	Cable Color	Fuse Size	Packaging
01500603Z	150603	Red	¼" x 1 ¼"	Bulk 100 Pieces
01500604Z	150604	Black	¼" x 1 ¼"	Bulk 100 Pieces

**Notes:**

For different wire insulation color and length contact LF team.