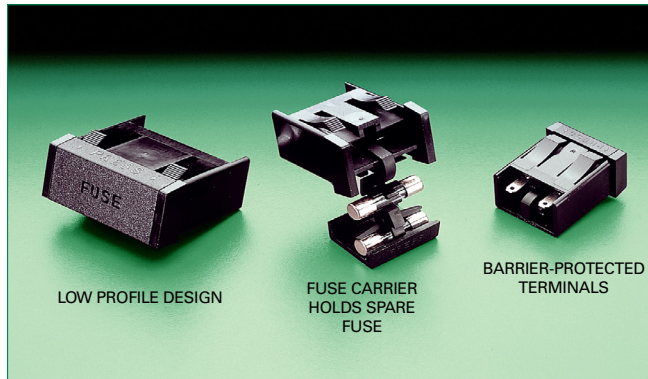


**286/346 Series Flip-Top Shock-Safe Panel Mount Fuseholders**

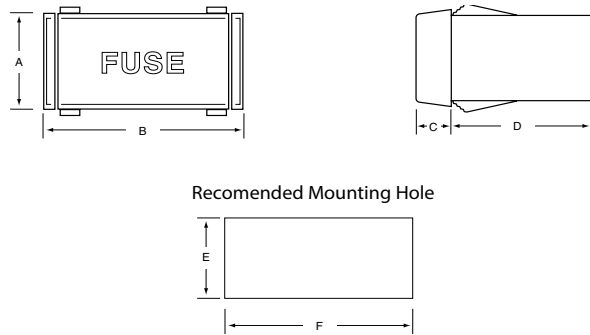


**Agency Approvals**

Agency	Agency File/Certificate Number
	E14721
	7316

Refer to [Fuseology](#) for information on proper fuseholder re-rating.

**Dimensions**



**Product Characteristics**

Compatible Fuses	For 3AG, 3AB, 5x20mm, or 2AG Fuses
<b>Features</b>	<ul style="list-style-type: none"> <li>Shock-Safe design eliminates any possibility of electrical shock, per IEC Standards IEC 60127-6.</li> <li>Fuse carrier holds spare fuse for fast, easy fuse replacement and convenient servicing.</li> <li>Low profile design</li> </ul>
<b>Electrical</b>	Rating: See ordering information table. Insulation Resistance: 10,000 megohm minimum at 500 VDC. Contact Resistance: Less than 0.01 ohm.
<b>Mounting</b>	Snap-in mounting. No hardware required. Panel thickness range: .032" through .125"
<b>Molded Parts</b>	Thermoplastic (UL94 V-0) black standard (other colors available as special).
<b>Fuse Carrier</b>	Spring-loaded. Unlocks with a press of the finger. Locks into place to prevent accidental circuit interruption. Permanently attached to fuseholder body to prevent loss. Extracts fuse from live terminals. Holds spare fuse.
<b>Terminals</b>	Copper alloy, tin plate. Accepts quick-connect or solder.
<b>Ambient Temperature</b>	-40 °C to +85 °C.
<b>Vibration</b>	10-55-10 Hz at .06" double amplitude (Method 201, MILSTD-202).

**Additional Information**



**Datasheet 286 Series**



**Resources 286 Series**



**Samples 286 Series**



**Datasheet 346 Series**



**Resources 346 Series**



**Samples 346 Series**

**Ordering Information**

Catalog Number	Fuse Size	Q.C. Terminals	Max. Amps At 250V.	A	B	C	D	E +.005"/-.000"	F +.005"/-.000"	Packaging
<b>03460877H</b>	3AG/3AB	.250" x .032" .072" Dia. Hole	15	.75"	1.5"	.27"	1.04"	.688"	1.445"	Bulk (100 Pieces)
<b>03460877Z</b>										Bulk (1 Piece)
<b>02860677H</b>	5 x 20mm	.187" x .032" .055" Dia. Hole	10	.70"	1.03"	.26"	.94"	.625"	.953"	Bulk (100 Pieces)
<b>02860677Z</b>										Bulk (1 Piece)
<b>02860377H</b>	2AG	.110" x .020" .048" Dia. Hole	10	.61"	.85"	.20"	.87"	.550"	.775"	Bulk (100 Pieces)
<b>02860377Z</b>										Bulk (1 Piece)

**Disclaimer Notice** - Information furnished is believed to be accurate and reliable. However, users should independently evaluate the suitability of and test each product selected for their own applications. Littelfuse products are not designed for, and may not be used in, all applications. Read complete Disclaimer Notice at: [www.littelfuse.com/disclaimer-electronics](http://www.littelfuse.com/disclaimer-electronics).