

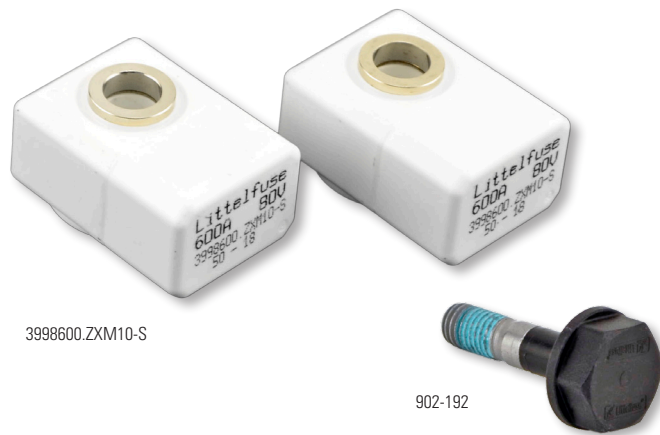
Installation Instructions

Sealed M10 ZCASE® Fuse



Expertise Applied | Answers Delivered

Part Numbers: 3998600.ZXM10-S, 902-192, and 3998600.ZXM10-SB



3998600.ZXM10-S

902-192

Specifications Overview

Amperage:	600A
Voltage Rating:	80V DC
Fuse Terminal Torque:	18±2Nm
Ingress Protection:	IP67 / IP69K*
Housing:	TPU UL94 V0
Output Connectors:	M10
Special Ratings:	IEC 60079-0 Explosion-Proof*

*Ratings achieved and statements applicable only when used with insulated bolt and a sealed cable lug

Installation & Application Notes

- Sealed ZCASE fuse is designed to be used only with female battery poles
- Proper application requires rubberized battery post interface
- Cable contact is required to have sealed rubberized lug to ensure proper fuse operation
- System will only achieve sealed performance with use of Littelfuse M10 insulated bolt 902-192

Ordering Information

PART NUMBERS	DESCRIPTION
3998600.ZXM10-S	Sealed M10 Battery Mount ZCASE Fuse
3998600.ZXM10-SB	Sealed M10 Battery Mount ZCASE Fuse + Insulated M10 Bolt Kit
902-192	Insulated M10 Bolt (Required for Installation/Operation)

Web Resources

Download datasheet, 2D print, 3D model and more at:
littelfuse.com/SealedM10ZCASE

Specifications, descriptions and illustrative material in this literature are as accurate as known at the time of publication, but are subject to changes without notice. Visit littelfuse.com for the most up-to-date technical information.

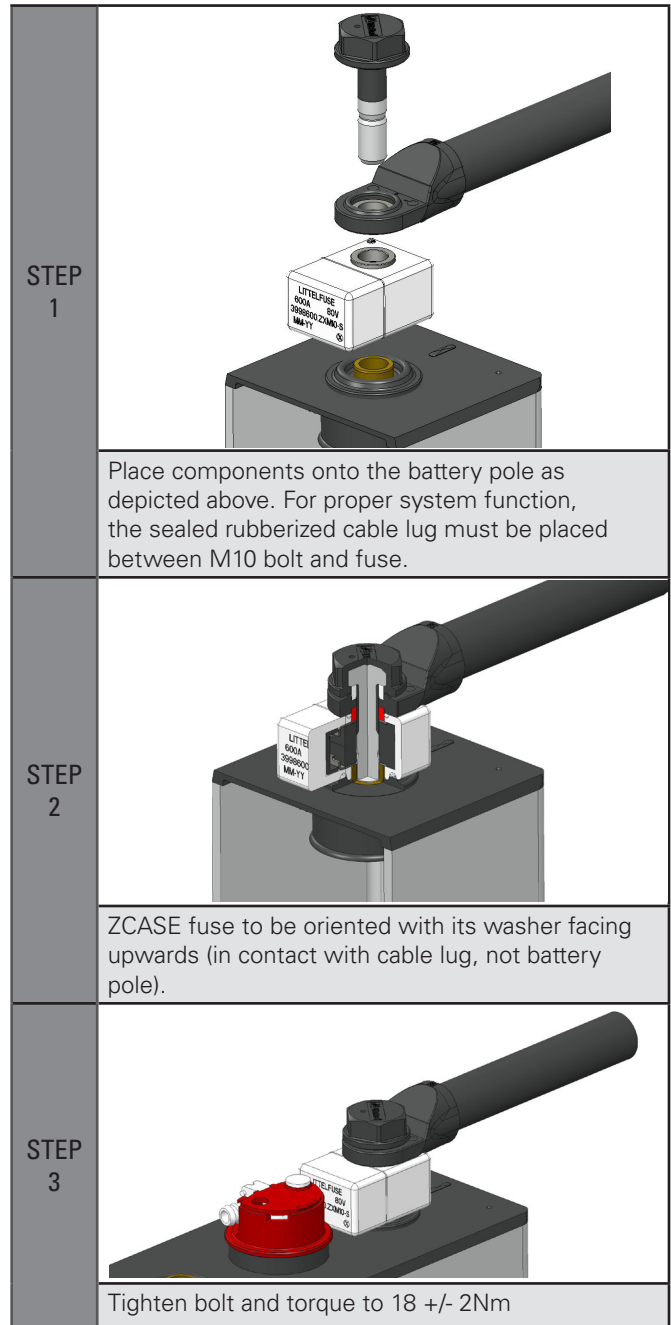


Figure 1 - Front and Side View

