



Expertise Applied | Answers Delivered

Gas Discharge Tube

Over-Voltage Protection Device

PRODUCT: GTCA28-102M-R03-2

DOCUMENT: SCD28610
 REV LETTER: A
 REV DATE: JULY 26,2016
 PAGE NO.: 1 of 3

Specification Status: Released

Marking:

XX 102 R 03 HB

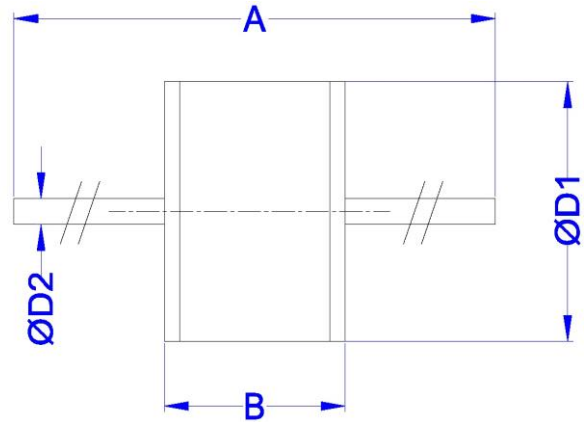
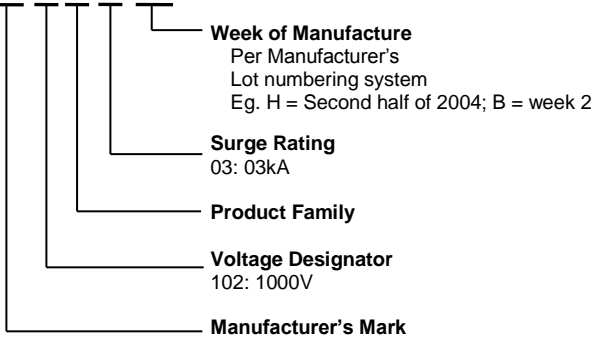


TABLE 1. DIMENSIONS:

	A		B		ØD1		ØD2
	MIN	MAX	MIN	MAX	MIN	MAX	NOM
mm:	58.0	66.0	5.8	6.2	7.8	8.2	0.8
in*:	(2.28)	(2.60)	(0.23)	(0.24)	(0.31)	(0.32)	(0.03)

*Rounded off approximation

TABLE 2. ELECTRICAL CHARACTERISTICS:

DC Sparkover Voltage*	Impulse Sparkover Voltage	Insulation Resistance	Capacitance	Impulse Discharge Current 8/20µs		AC Discharge Current, 50 Hz	
				10 hits(5 hits for each polarity)	1 hit	Multiple Hits (1s duration: 10 Hits)	Single hit, 9 cycles
1000V ± 20%	≤ 1,700V	≥10,000Mohm s	<1.0pF	3kA	10KA	1A	5A

*In ionized mode
 Testing methods and specifications referring to ITU-T K.12



Expertise Applied | Answers Delivered

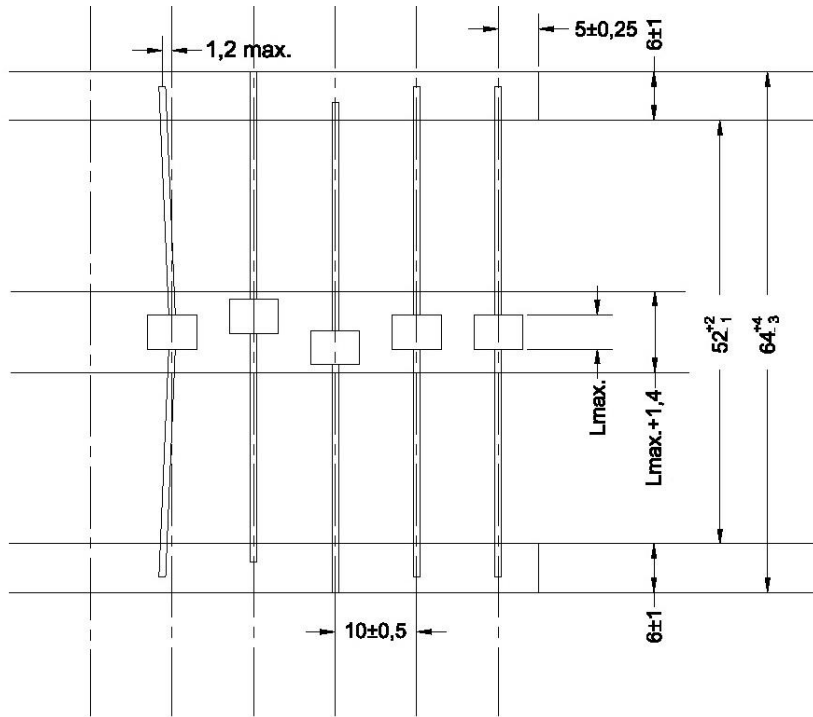
Gas Discharge Tube

Over-Voltage Protection Device

PRODUCT: GTCA28-102M-R03-2

DOCUMENT: SCD28610
REV LETTER: A
REV DATE: JULY 26,2016
PAGE NO.: 2 of 3

TAPING INFORMATION: [Unit:mm]



Packaging Quantity:

REEL	STANDARD PACKAGE
250 pcs.	1,000 pcs.

General Characteristics

No Radioactive Materials

Storage temperature: -40°C ... +90°C

Operating temperature: -40°C ... +90°C

Electrode Material: Fe-Ni alloy, Ni plated

Lead Material: Sn plated Copper

Agency Recognitions: UL1449 Recognized (File# E332226)

Precedence: This specification takes precedence over documents referenced herein

Effectivity: Reference documents shall be the issue in effect on the date of invitation for bid

CAUTION: Operation beyond the rated voltage or current may result in rupture, electrical arcing or flame

Materials Information

ROHS Compliant

Directive 2002/95/EC
Compliant

ELV Compliant

Directive 2000/53/EC
Compliant

Pb-Free





Expertise Applied | Answers Delivered

Gas Discharge Tube

Over-Voltage Protection Device

PRODUCT: GTCA28-102M-R03-2

DOCUMENT: SCD28610
REV LETTER: A
REV DATE: JULY 26,2016
PAGE NO.: 3 of 3

Littelfuse products are not designed for, and shall not be used for, any purpose (including, without limitation, automotive, military, aerospace, medical, life-saving, life-sustaining or nuclear facility applications, devices intended for surgical implant into the body, or any other application in which the failure or lack of desired operation of the product may result in personal injury, death, or property damage) other than those expressly set forth in applicable Littelfuse product documentation. Warranties granted by Littelfuse shall be deemed void for products used for any purpose not expressly set forth in applicable Littelfuse documentation. Littelfuse shall not be liable for any claims or damages arising out of products used in applications not expressly intended by Littelfuse as set forth in applicable Littelfuse documentation. The sale and use of Littelfuse products is subject to Littelfuse Terms and Conditions of Sale, unless otherwise agreed by Littelfuse