

ITV5432 30A Series

Surface Mount



Description

ITV5432 Series is a chip type surface mountable device that can protect against both overcurrent and overcharging. It comprises a fuse element to ensure stable operation under normal electrical current and to cut off the current when overcurrent occurs. It also comprises a resistive heating element that could be used in combination with a voltage detecting means, such as IC and FET. When overvoltage is detected, the heating element is electrically excited to generate heat to blow the fuse element to achieve overvoltage protection.

Features

- Halogen Free
- Surface Mount
- Fast response
- Protection for both overcurrent and overcharging

Applications

- Vacuum cleaner
- Power tools
- E-scooter
- E-bike
- UPS

Agency Approvals

Agency	Agency File Number	Ampere Range
	E10480	30 A
	TA 50461285	30 A

Thermal Derating Characteristics

Ambient Operating Temperature			
	25°C	40°C	60°C
Recommend Rated Current (A)	34.0	30.0	25.0

Electrical Characteristics

Part Number	Ordering Code	I _{rated} (A)	Cells in Series	V _{max} (Vdc)	I _{break} (A)	V _{OP} (V)	Resistance		Agency Approvals	
							R _{heater} (Ω)	R _{fuse} (mΩ)		
ITV5432L0630	ITV5432L0630WR	30	2	62	80	7.5 ~ 9.6	2.3 ~ 4.0	0.5 ~ 2.5	X	X
ITV5432L1230	ITV5432L1230WR	30	3	62	80	9.9~13.5	4.5 ~ 7.3	0.5 ~ 2.5	X	X
ITV5432L1430	ITV5432L1430WR	30	4	62	80	13.4 ~ 18.4	8.4 ~ 13.3	0.5 ~ 2.5	X	X
ITV5432L2030	ITV5432L2030WR	30	5	62	80	17.1 ~ 23.5	13.8 ~ 21.7	0.5 ~ 2.5	X	X
ITV5432L3030	ITV5432L3030WR	30	7	62	80	23.0 ~ 31.5	24.6 ~ 39.3	0.5 ~ 2.5	X	X
ITV5432L4030	ITV5432L4030WR	30	9~10	62	80	34.2 ~ 46.9	64.0 ~ 87.0	0.5 ~ 2.5	X	X
ITV5432L5030	ITV5432L5030WR	30	12~14	62	80	45.2 ~ 62.0	100.0 ~ 152.0	0.5 ~ 2.5	X	X

Current Capacity	100% x I _{rated} , No Melting
Cut Time	200% x I _{rated} , < 1 min
Interrupting Current	100 A, power on 5 ms, power off 995 ms, 10000 cycles, No Melting
Over Voltage Operation	In operation voltage range, the fusing time is <1min.

Notes:

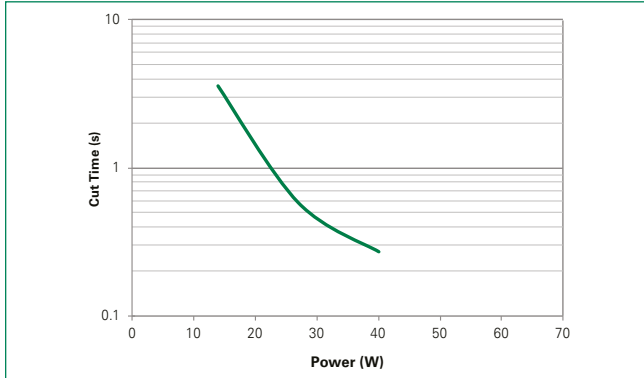
- I_{rated} = Current carrying capacity that is measured at 40°C thermal equilibrium condition
- I_{break} = The current that the fuse element is able to interrupt
- V_{max} = The maximum voltage that can be cut off by fuse
- V_{OP} = Range of operation voltage
- R_{heater} = The resistance of the heating element
- R_{fuse} = The resistance of the fuse element
- Cells in series = Number of battery cells connected in series in the circuit for ITV device to protect.
- Value specified is determined by using the PWB with 29.4mm*2oz copper traces, AWG10 covered wire, and 0.6mm glass epoxy PCB.
- Specifications are subject to change without notice.

ITV5432 30A Series

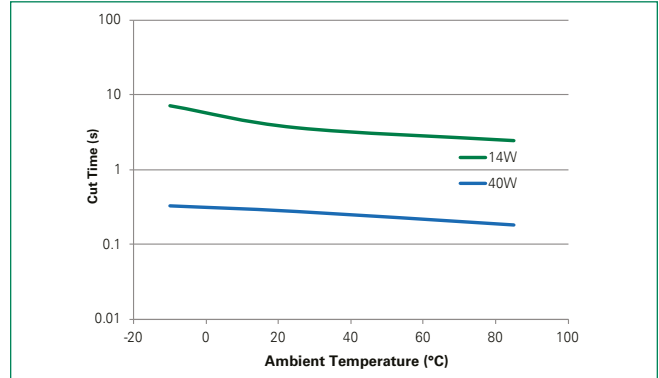
Surface Mount

Cut Time by Heater Operation

Various heater wattage at 25°C ambient temperature

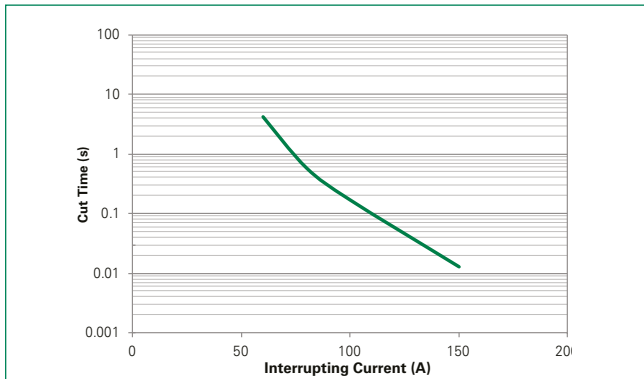


Constant heater wattage at various ambient temperature

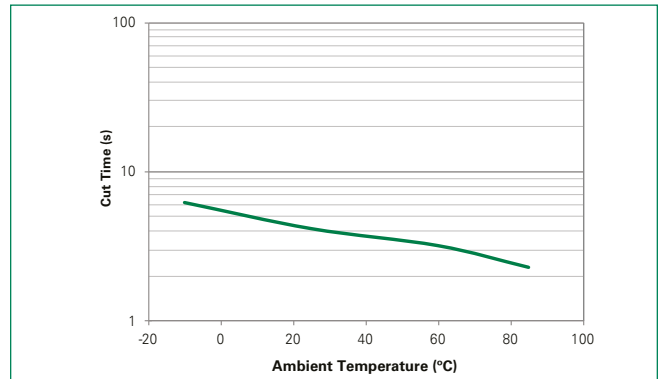


Cut Time by Current Operation

Various interrupting current at 25°C ambient temperature



Constant 2x rated current at various ambient temperature



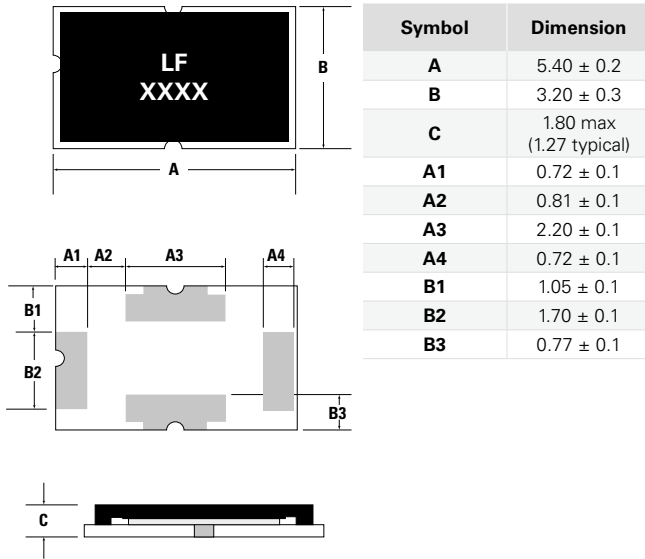
Environmental Specifications

Storage Temperature	0~35°C, ≤70%RH Shelf life: 1 year
Operating Temperature	-10°C to +65°C
Hot Passive Aging	100±5°C, 250 hours No structural damage and functional failure
Humidity Aging	60°C±2°C, 90~95% R.H. 250 hours No structural damage and functional failure
Cold Passive Aging	-20±3°C, 500 hours No structural damage and functional failure
Thermal Shock	MIL-STD-202 Method 107G +125°C/-55°C, 100 times No structural damage and functional failure

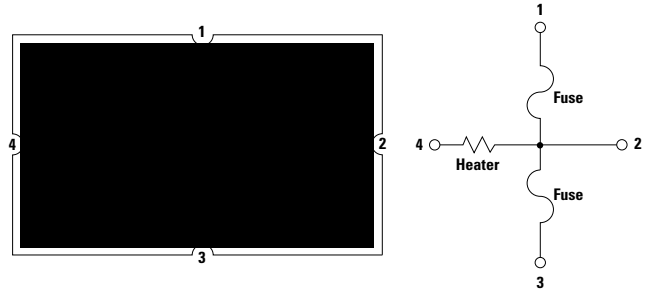
ITV5432 30A Series

Surface Mount

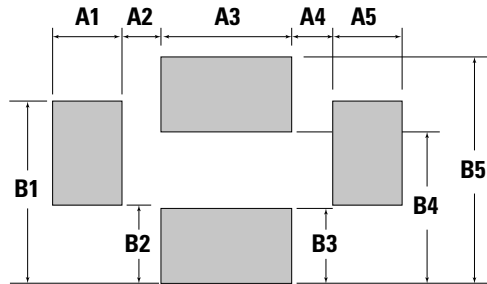
Physical Dimension (mm)



Device Circuit



Board and Solder Layout Recommend (mm)



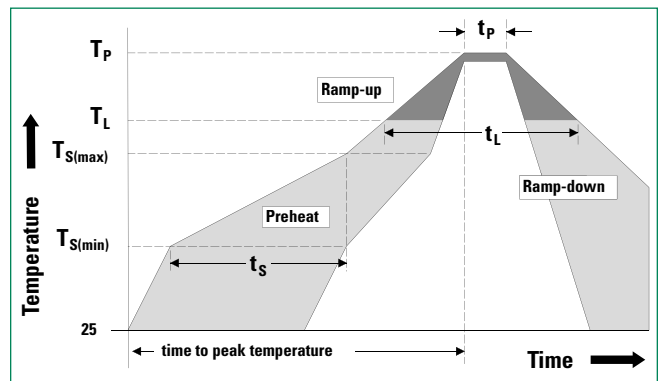
Physical Specifications

Material	Glass Epoxy PCB
Base Thickness	0.6mm
Copper Thickness	0.07mm
Covered Wire	AWG10

Symbol	Dimension
A1	1.25 ± 0.1
A2	0.75 ± 0.1
A3	2.40 ± 0.1
A4	0.75 ± 0.1
A5	1.25 ± 0.1
B1	3.35 ± 0.1
B2	1.45 ± 0.1
B3	1.40 ± 0.1
B4	2.80 ± 0.1
B5	4.20 ± 0.1

Soldering Parameters

Average Ramp-Up Rate ($T_{S_{max}}$ to T_P)	3°C/second max.	
Preheat	Temperature Min ($T_{S_{min}}$)	150°C
	Temperature Max ($T_{S_{max}}$)	200°C
	Time ($T_{S_{min}}$ to $T_{S_{max}}$)	60-120 seconds
Time maintained above:	Temperature (T_L)	217°C
	Time (t_L)	60-105 seconds
Peak Temperature (T_P)	255°C	
Time within 5°C of actual Peak Temperature (t_p)	5 seconds max.	
Ramp-Down Rate	6°C/second max.	
Time 25°C to Peak Temperature	8 minutes max.	

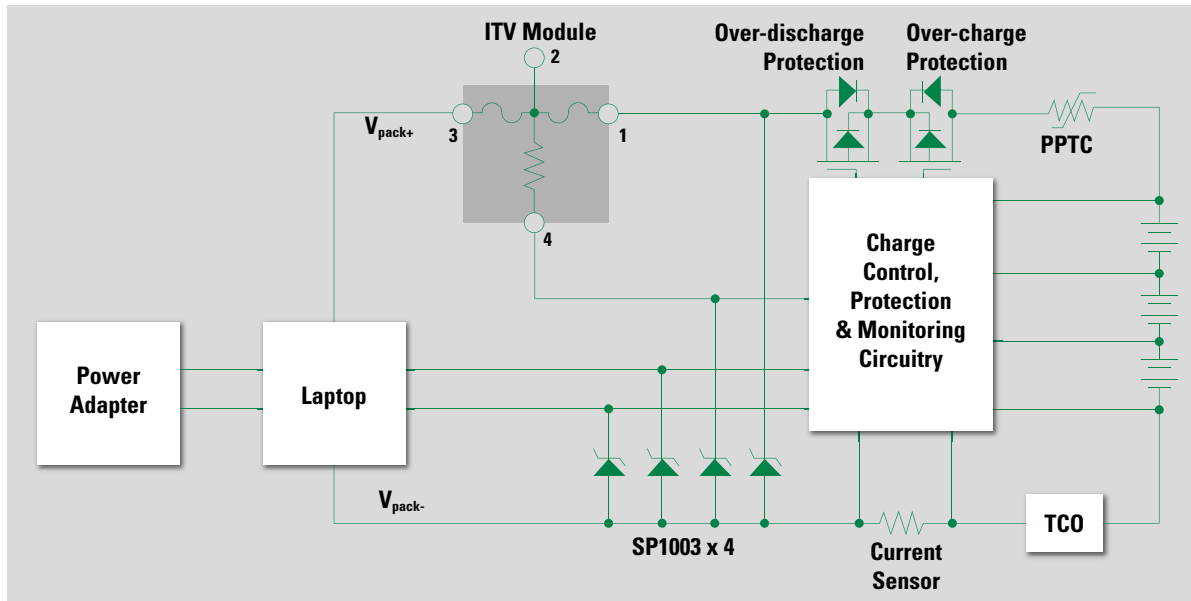


-- All temperature refer to topside of the package, measured on the package body surface
 -- If reflow temperature exceeds the recommended profile, devices may not meet the performance requirements

ITV5432 30A Series

Surface Mount

Typical Application Circuit Diagram



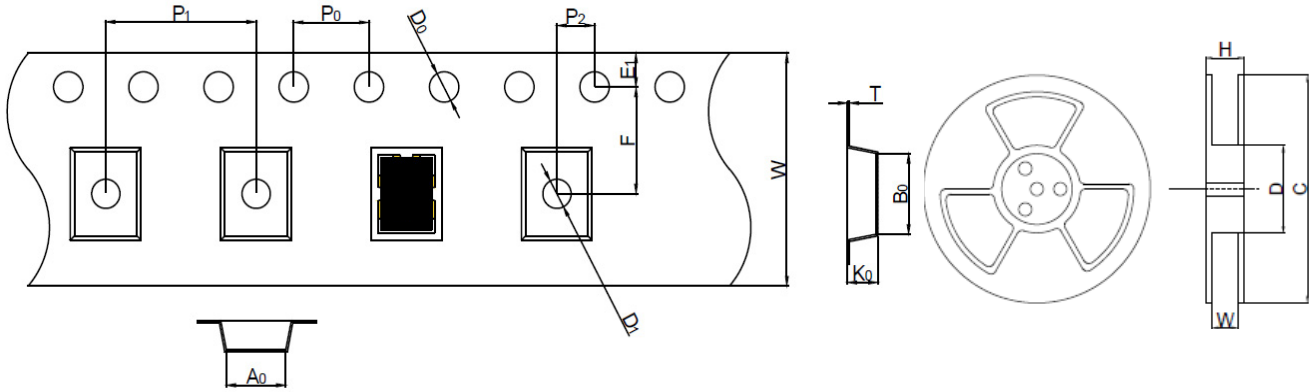
Installation and Handling Guidelines

- Before and after mounted, the ultrasonic-cleaning or immersion-cleaning must not be done to ITV device. The flux on element would flow, and it would not be satisfied its specification when cleaning is done. In addition, a similar influence happens when the product comes in contact with cleaning solution. These products after cleaning will not be guaranteed.
- Silicone-based oils, oils, solvents, gels, electrolytes, fuels, acids, and similar will adversely affect the properties of ITV devices, and shall not be used or applied.
- Please DO NOT reuse the ITV device removed by the soldering process.
- ITV devices are secondary protection devices and are used solely for sporadic, accidental overcurrent or overtemperature error condition, and shall NOT be used if or when constant or repeated fault conditions (such fault conditions may be caused by, among others, incorrect pin-connection of a connector) or over-extensive trip events may occur.
- Operation over the maximum rating or other forms of improper use may cause failure, arcing, flame and/or other damage to the ITV devices.
- The performance of ITV devices will be adversely affected if they are improperly used under electronic, thermal and/or mechanical procedures and/or conditions non-conformant to those recommended by manufacturer.
- Customers shall be responsible for determining whether it is necessary to have back-up, failsafe and/or fool-proof protection to avoid or minimize damage that may result from extra-ordinary, irregular function or failure of ITV devices.
- There should be minimum of 0.1mm spacing between ITV and surrounding compounds, to maintain the product characteristics and avoid damage other surrounding compounds.
- This product is designed and manufactured only for general-use of electronics devices. We do not recommend that it is used for the applications military, medical and so on which may cause direct damages on life, bodies or properties.

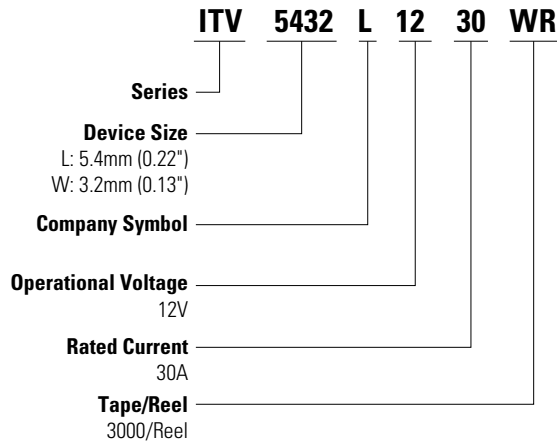
ITV5432 30A Series

Surface Mount

Tape and Reel Specifications (mm)

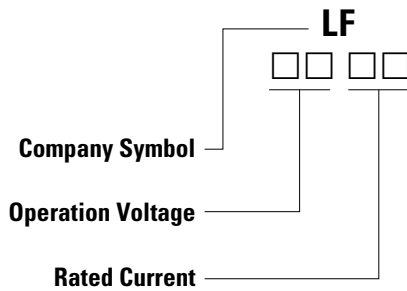


Part Numbering System



Symbol	Dimensions
W	12.0 ± 0.30
F	5.50 ± 0.05
E1	1.75 ± 0.10
D0	1.55 ± 0.05
D1	1.50 ± 0.10
P0	4.00 ± 0.10
P1	8.00 ± 0.10
P2	2.00 ± 0.10
A0	3.55 ± 0.10
B0	5.75 ± 0.10
T	0.25 ± 0.05
K0	1.75 ± 0.10
H	17.4 ± 1.0
W	13.4 ± 1.0
D	Ø99.0 ± 0.5
C	Ø330 ± 1.0

Part Marking System



Packaging

Part Number	Tape and Reel Quantity
ITV5432LXX30	3,000

Disclaimer Notice - Information furnished is believed to be accurate and reliable. However, users should independently evaluate the suitability of and test each product selected for their own applications. Littelfuse products are not designed for, and may not be used in, all applications. Read complete Disclaimer Notice at www.littelfuse.com/disclaimer-electronics.