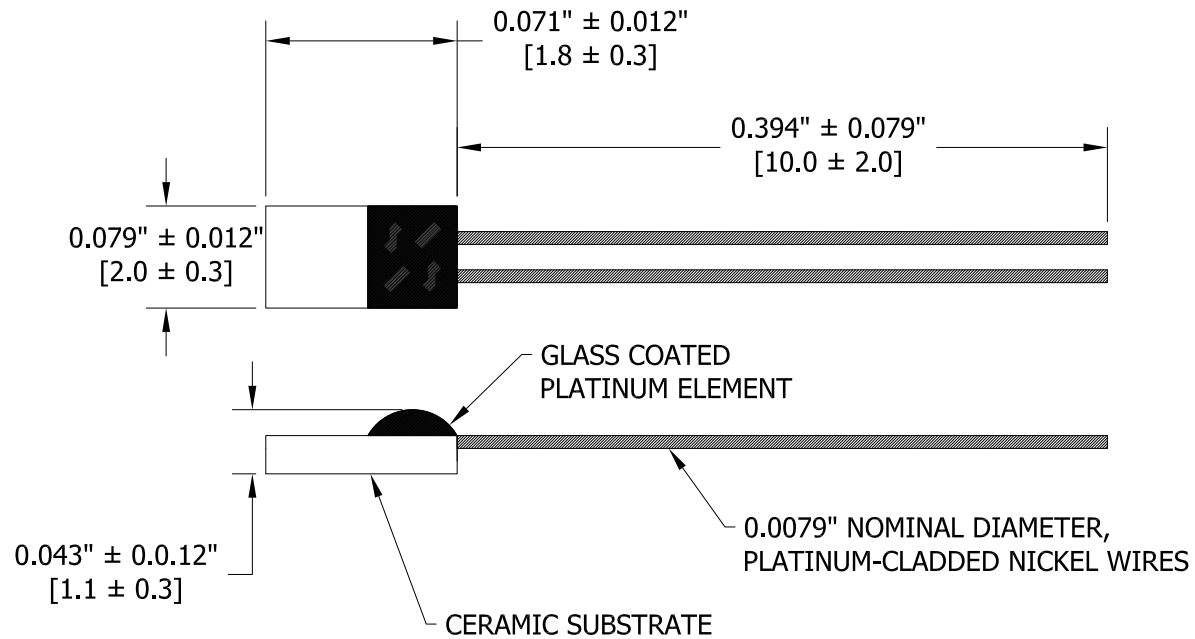


2

1

B

B



RTD ELEMENT RESISTANCE @ 0°C = 100 Ω ± 0.12%  
 RTD ELEMENT ACCURACY @ 0°C = ± 0.30°C  
 RTD ELEMENT ACCURACY CLASS = DIN EN 60751 F 0.3 (CLASS B)  
 TCR = 3,850 ppm/°C  
 TEMPERATURE RATING = -70 TO +500°C  
 THERMAL TIME CONSTANT = 10 SECONDS MAXIMUM (2m/SEC MOVING AIR)

A

A

REV	DESC	BY	DATE	DCR NO
B	Mechanical Dimension Changed	MK	01/06/2023	C4768
A	Initial Release	MW	05/08/2019	
REVISION HISTORY				

2



1

Project Code			
Third Angle Projection			
Units		Division <b>IBU - Temperature Sensors</b>	
General Tolerances 0.X = ± 0.X 0.XX = ± 0.XX 0.XXX = ± 0.XXX		Title <b>Platinum RTD Sensor</b>	
Drawn By		Drawing No	
<b>MK</b>		<b>PPG101JB</b>	
Date		Size	Sheet
<b>01/06/2023</b>		<b>A</b>	<b>1</b>
		Do Not Scale	

TEMPLATE REVISION CONTROL DCR NO. C0688 REV. A/E DATE 14-1-14