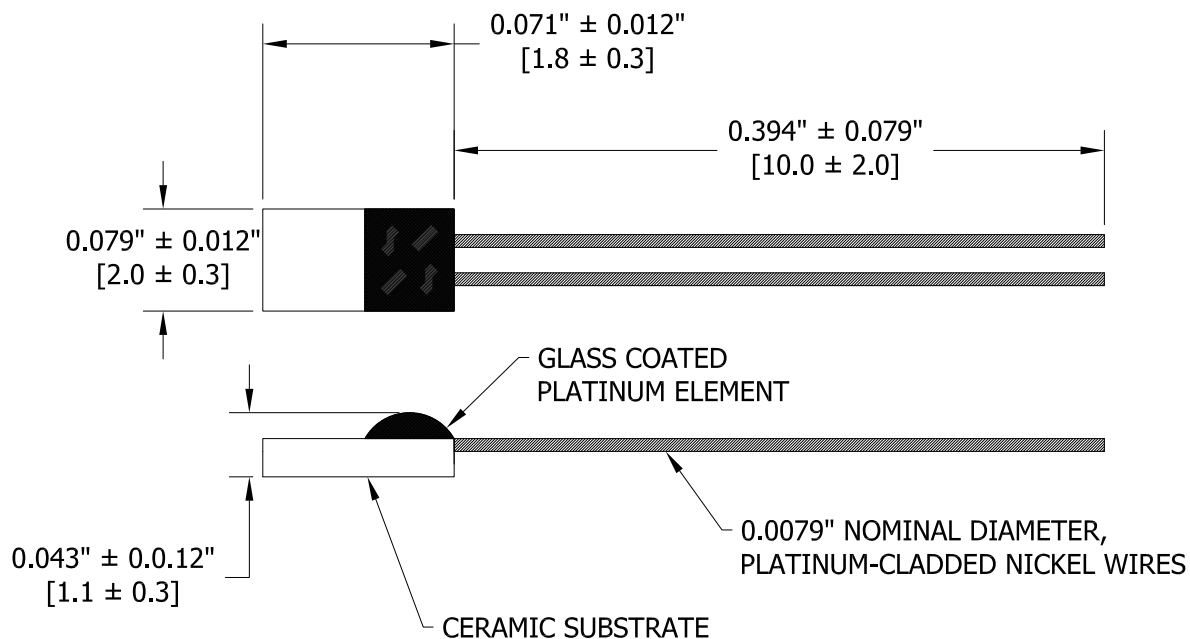


2

1

B

B



RTD ELEMENT RESISTANCE @ 0°C = 1,000 Ω ± 0.06%
 RTD ELEMENT ACCURACY @ 0°C = ± 0.15°C
 RTD ELEMENT ACCURACY CLASS = DIN EN 60751 F 0.15 (CLASS A)
 TCR = 3,850 ppm/°C
 TEMPERATURE RATING = -70 TO +500°C
 THERMAL TIME CONSTANT = 10 SECONDS MAXIMUM (2m/SEC MOVING AIR)

A


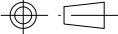
A

| REV | DESC | BY | DATE | DCR NO |
|------------------|------------------------------|----|------------|--------|
| B | Mechanical Dimension Changed | MK | 01/06/2023 | C4768 |
| A | Initial Release | MW | 05/08/2019 | |
| REVISION HISTORY | | | | |

2



1

| | | | |
|--|--|---|--|
| Project Code | |  | |
|  Third Angle Projection | | | |
| Units | | Inch [mm] | |
| General Tolerances | | Division | |
| 0.X = ± 0.X 0.XX = ± 0.XX 0.XXX = ± 0.XXX | | IBU - Temperature Sensors | |
| Drawn By | | Title | |
| MK | | Platinum RTD Sensor | |
| Date | | Drawing No | |
| 01/06/2023 | | PPG102JA | |
| Size | | Sheet | |
| A | | 1 | |
| Do Not Scale | | | |

TEMPLATE REVISION CONTROL DCR NO. C0688 REV. A/E DATE 14-1-14