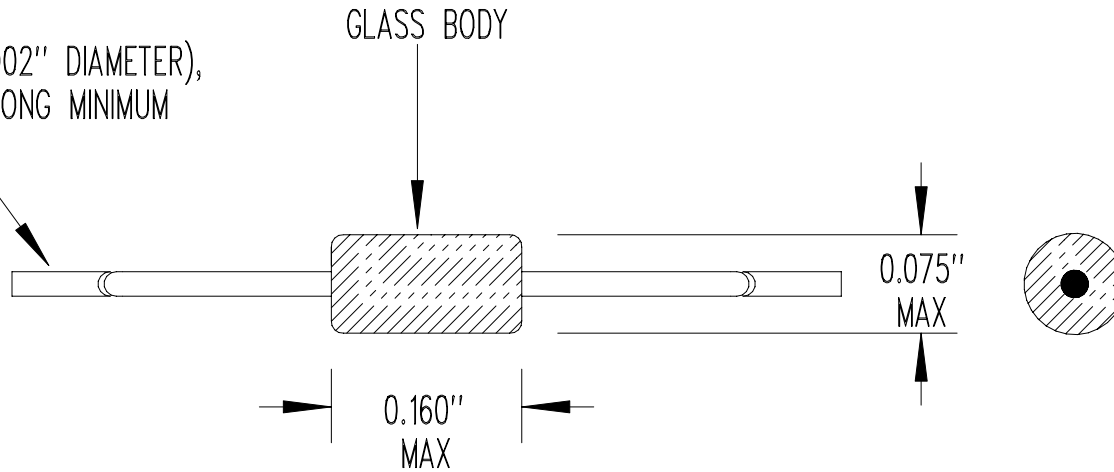


24 AWG (0.020" ± 0.002" DIAMETER),
TINNED CCS, 1.00" LONG MINIMUM



RESISTANCE @ +25°C = 500 Ω ± 5%
 RESISTANCE TEMPERATURE CURVE = "B"
 BETA "β" (0 TO +50°C) = 2,941°K NOMINAL
 TEMPERATURE COEFFICIENT @ +25°C = -3.31%/°C NOMINAL
 DISSIPATION CONSTANT = 2 mW/°C NOMINAL (STILL AIR)
 THERMAL TIME CONSTANT = 5 SECONDS NOMINAL (STILL AIR)
 THERMAL TIME CONSTANT = 0.5 SECONDS NOMINAL (STIRRED OIL)
 MAXIMUM OPERATING TEMPERATURE = +220°C

| | | | |
|------|-----------------------|----------|-----|
| NONE | RELEASE TO PRODUCTION | 08/11/03 | DD |
| REV | REVISION RECORD | DATE | APP |

| | |
|-------------------------|---|
| SCALE NONE | U.S. SENSOR CORP. 1832 W. COLLINS AVE. ORANGE, CA. 92867 714-639-1000 www.ussensor.com |
| DRAWN BY DAN DANKERT | |
| DATE 08/11/03 | NTC THERMISTOR |
| REV. NONE | P/N 501BG1J |
| LAYER 0 OF 1 | |