

08081400 BATTERY DISCONNECT SWITCHES

200A • SPST • IP67 • M10 Studs



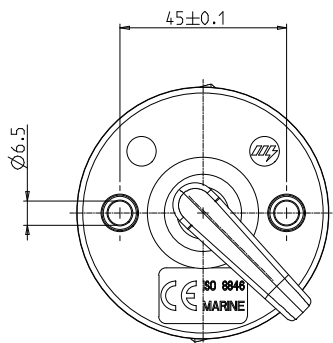
Description

Marine single pole main battery switch with a metal body. Heavy duty and resistant against corrosion, to be used on heavy trucks, farm tractors, buses, commercial vehicles and especially on boats.

Features/Benefits

- 200A continuous current rating
- Equipped with rubber protection cap
- Removable handle.
- The "V" shape of the terminals allows easy cable connection.
- Reduces risk of arcing
- Waterproof IP67
- Approved RINA ISO-8846

Mounting Diagram



Specifications

Max Operating Voltage:	24V DC
Max Continuous Current:	200A
Intermittent Current:	1000A at 5 sec
Operating Temp:	-40 °C to +85 °C
Ingress Protection:	IP67
Contacts:	Copper
Terminals:	M10 (brass)
Norm	RINA 8846

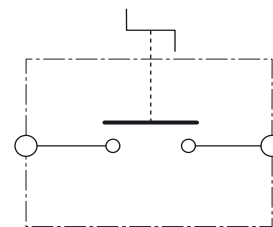
Applications

- Heavy trucks
- Buses
- Commercial vehicles
- Marine

Web Resources

Download 2D print and technical resources at:
littelfuse.com/ManualBatterySwitches

Electrical Diagram

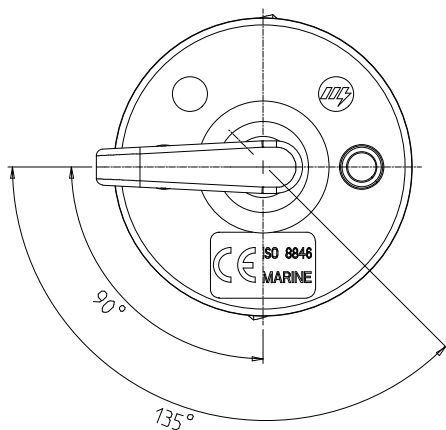
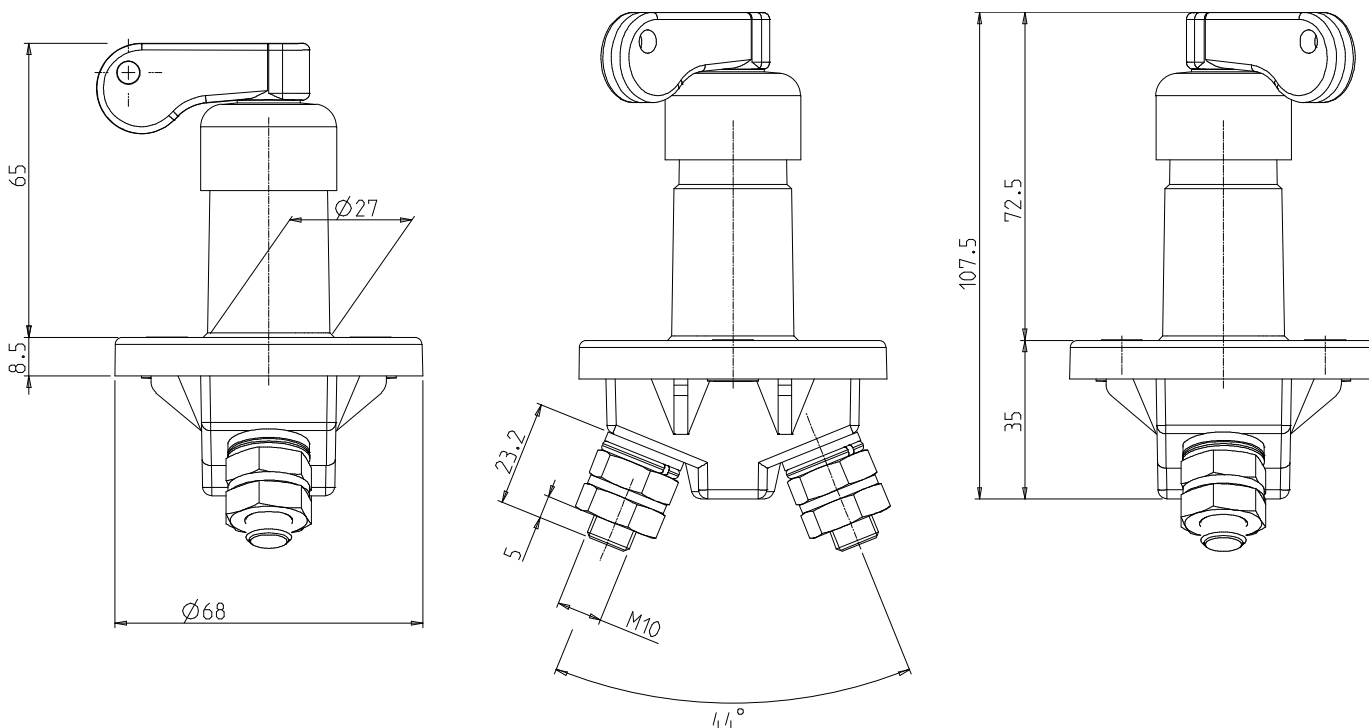


Ordering Information

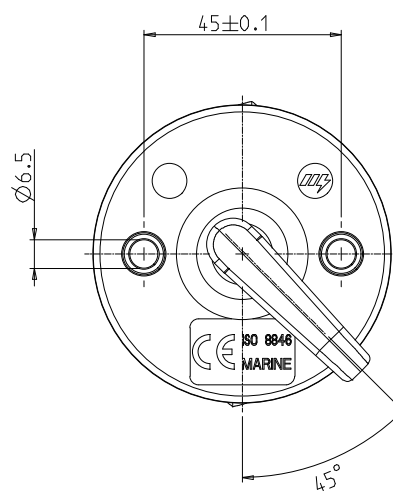
PART NUMBER	VOLTAGE	AMPERAGE	CIRCUITRY	MOUNTING	INGRESS	TERMINAL NUTS	NOTES
BOXED							
08081400	12-24V DC	200A	SPST	Through-Hole	IP67	M10 brass	Removable key

08081400 BATTERY DISCONNECT SWITCHES

Dimensions in millimeters



ON position



OFF position



Visit Littelfuse.com for the most up-to-date product information. Littelfuse reserves the right to make product changes, without notice. Material in this document is as accurate as known at the time of publication.