



MIDI® 70V HP Fuse

## MIDI® High Performance Fuse Rated 70V

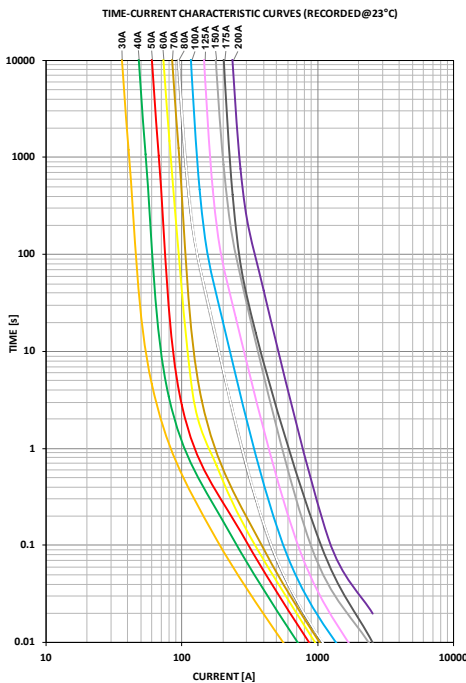
The MIDI® 70V High Performance (HP) Fuse is designed for high current circuit protection up to 200A with "Diffusion Pill Technology." The MIDI® 70V HP features 1MΩ Open State Resistance after fuse opening to guarantee safe interruption at any voltage up to 70V. The MIDI® 70V HP Fuse is an ideal solution for any high current application like fans, heaters and high inrush peak loads. The new added 135% overload gate provides much better wire protection.

### Specifications

Voltage Rating:	70 VDC
Interrupting Rating:	2500A @ 70 VDC
Recommended Environmental Temperature:	-40°C to + 125°C
Terminals Material:	Tin Plated Copper
Housing Material:	PA66 GF25 FR (U.L. 94 Flammability rating – V0)
Mounting Torque M6:	9Nm+/-1Nm
Open State Resistance (after fuse opening)	>1MΩ
Refers To:	ISO 20934 - Type SF36
Complies With:	Standard UL 248-1 as a Special Purpose Fuse in UL File E71611 (from 60A to 100A only) and Directive 2011/65/EU.



### Time-Current Characteristic Curves



### Ordering Information

Part Number	Rating	Package Size	Bolt Hole Qty
4998xxx.M-M6	30 - 200	500	2
4998xxx.M-1M6	30 - 200	500	1
4998xxx.M-NH	30 - 200	500	0

### Time-Current Characteristics

% of Rating	Opening Time Min / Max (s)
100	360,000 / ∞
135	300 / 3,600
150	90 / 500
200	1 / 50
300	0.3 / 4
500	0.1 / 1
600	0.07 / 0.7

### Ratings

Part Number	Current Rating (A)	Color Code	Test Cable Size (mm <sup>2</sup> )	Voltage Drop (mV) max.	Typ. I <sup>2</sup> t (A <sup>2</sup> s)
4998030.M_	30 <sup>1</sup>	Orange	2.5	120	2,100
4998040.M_	40 <sup>1</sup>	Green	4		3,600
4998050.M_	50 <sup>1</sup>	Red	6		5,600
4998060.M_	60 <sup>1,2</sup>	Yellow	6	110	7,100
4998070.M_	70 <sup>1,2</sup>	Brown	10		8,300
4998080.M_	80 <sup>2</sup>	White	10		10,400
4998100.M_	100 <sup>2</sup>	Blue	10	100	17,500
4998125.M_	125	Pink	16		24,900
4998150.M_	150 <sup>1</sup>	Grey	25		50,200
4998175.M_	175 <sup>1</sup>	Brown	25		57,700
4998200.M_	200 <sup>1</sup>	Purple	35		119,100

<sup>1</sup> Note 1: In development - please contact Littelfuse® for more details regarding availability timing.

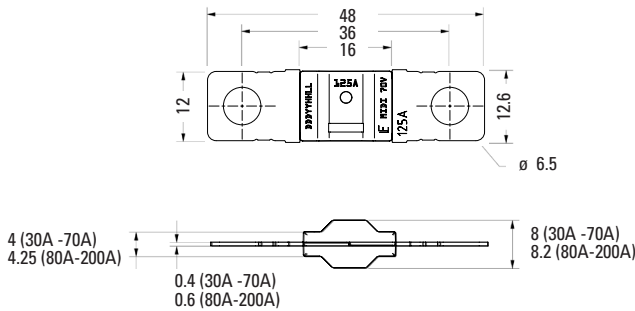
<sup>2</sup> Note 2: UL Recognized.

The typical I<sup>2</sup>t is an average value calculated from the breaking capacity tests by using the melting time before the arcing occurs.

## MIDI® High Performance Fuse Rated 70V

### Dimensions

Dimensions in mm for reference only. See outline drawing for dimensions and tolerances.



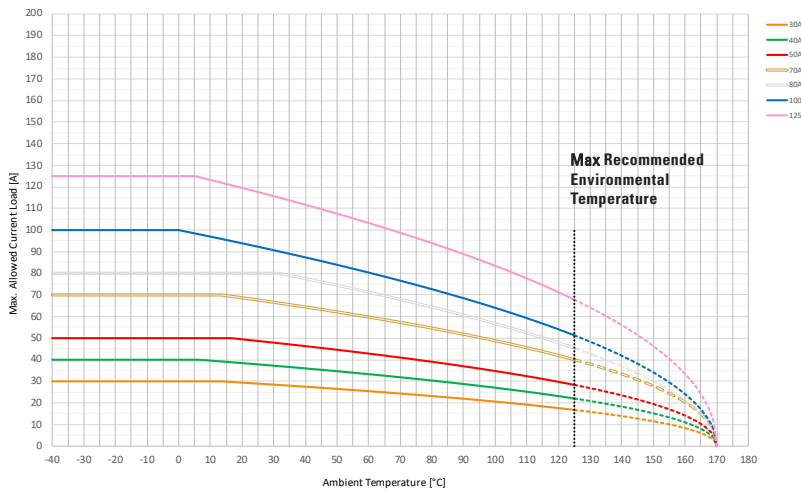
### Temperature Table

	max. allowed current load [A] at ambient temperature (typical derating)						
	-40°C	0°C	20°C	65°C	85°C	110°C	125°C
<b>30A</b>	30	30	29	25	23	19	17
<b>40A</b>	40	40	38	33	30	25	22
<b>50A</b>	50	50	49	42	38	32	28
<b>60A</b>	Coming Up						
<b>70A</b>	70	70	69	59	53	46	40
<b>80A</b>	80	80	80	70	63	52	45
<b>100A</b>	100	100	94	78	71	59	51
<b>125A</b>	125	125	120	101	91	78	68
<b>150A</b>	Coming Up						
<b>175A</b>	Coming Up						
<b>200A</b>	Coming Up						

### Typical Derating of Fuse Melting Element

Temperature Security Margin is 20%

Please Contact Littelfuse® for Details Regarding Derating Test Set-Up



Derating curves may change depending on the final condition of the application (terminals characteristics, wire size etc.). Please ask Littelfuse for more information.

REV 07122021

Littelfuse products are not designed for, and shall not be used for, any purpose (including, without limitation, automotive, military, aerospace, medical, life-saving, life-sustaining or nuclear facility applications, devices intended for surgical implant into the body, or any other application in which the failure or lack of desired operation of the product may result in personal injury, death, or property damage) other than those expressly set forth in applicable Littelfuse product documentation. Warranties granted by Littelfuse shall be deemed void for products used for any purpose not expressly set forth in applicable Littelfuse documentation. Littelfuse shall not be liable for any claims or damages arising out of products used in applications not expressly intended by Littelfuse as set forth in applicable Littelfuse documentation. The sale and use of Littelfuse products is subject to Littelfuse Terms and Conditions of Sale, unless otherwise agreed by Littelfuse.