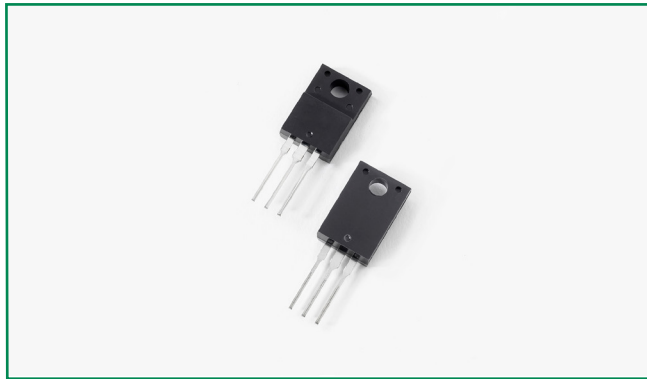
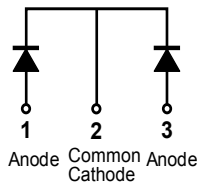


**MBRF30200CT**



**Pin out**



**Description**

Littelfuse MBR series Schottky Barrier Rectifier is designed to meet the general requirements of commercial applications by providing high temperature, low leakage and low  $V_F$  products. It is suitable for high frequency switching mode power Supply, free-wheeling diodes and polarity protection diodes.

**Features**

- High junction temperature capability
- Guard ring for enhanced ruggedness and long term reliability
- Low forward voltage drop
- High frequency operation
- Common cathode configuration in electrically isolated ITO-220AB package

**Applications**

- Switching mode power supply
- Free-wheeling diodes
- DC/DC converters
- Polarity protection diodes

**Maximum Ratings**

Parameters	Symbol	Test Conditions	Max	Unit
Peak Inverse Voltage	$V_{RWM}$	-	200	V
Average Forward Current	$I_{F(AV)}$	50% duty cycle @ $T_C = 109^\circ\text{C}$ , rectangular wave form	15 (per leg) 30 (total device)	A
Peak Repetitive Forward Current(per leg)	$I_{FRM}$	Rated $V_R$ square wave, 20KHz $T_C = 133^\circ\text{C}$	20	A
Peak One Cycle Non-Repetitive Surge Current (per leg)	$I_{FSM}$	Surge applied at rated load conditions halfwave, single phase, 60Hz	150	A

**Electrical Characteristics**

Parameters	Symbol	Test Conditions	Max	Unit
Forward Voltage Drop (per leg) *	$V_{F1}$	@ 15A, Pulse, $T_J = 25^\circ\text{C}$	0.90	V
	$V_{F2}$	@ 15A, Pulse, $T_J = 125^\circ\text{C}$	0.75	
Reverse Current (per leg) *	$I_{R1}$	@ $V_R = \text{rated } V_R, T_J = 25^\circ\text{C}$	1.0	mA
	$I_{R2}$	@ $V_R = \text{rated } V_R, T_J = 125^\circ\text{C}$	6.0	
Junction Capacitance (per leg)	$C_T$	@ $V_R = 5\text{V}, T_C = 25^\circ\text{C}, f_{SI} = 1\text{MHz}$	400	pF
Voltage Rate of Change	dv/dt		10,000	V/ $\mu\text{s}$
RSM Isolation Voltage ( $t = 1.0$ second, R. H. < 30%, $T_A = 25^\circ\text{C}$ )	$V_{ISO}$	Clip mounting, the epoxy body away from the heatsink edge by more than 0.110" along the lead direction.	4500	V
		Clip mounting, the epoxy body is inside the heatsink.	3500	
		Screw mounting, the epoxy body is inside the heatsink.	1500	

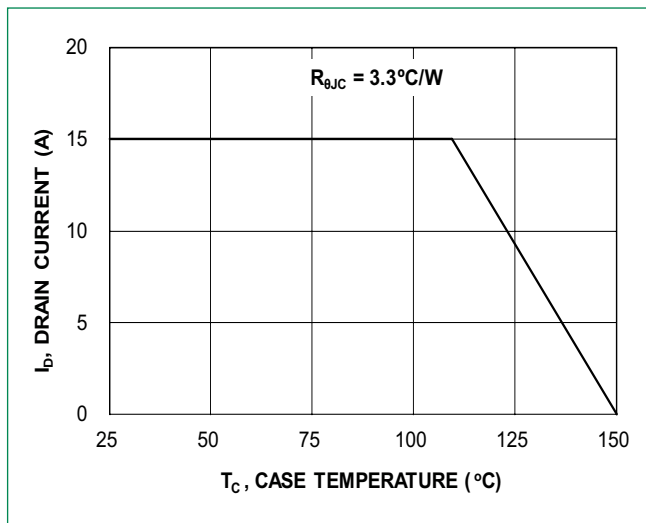
\* Pulse Width < 300 $\mu\text{s}$ , Duty Cycle < 2%

**Thermal-Mechanical Specifications**

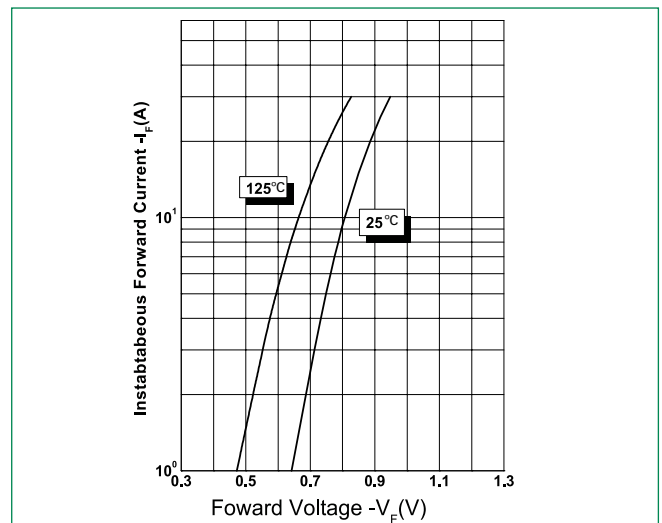
Parameters	Symbol	Test Conditions	Max	Unit
Junction Temperature	$T_J$		-55 to +150	°C
Storage Temperature	$T_{stg}$		-55 to +150	°C
Maximum Thermal Resistance Junction to Case (per leg) *	$R_{thJC}$	DC operation	3.3	°C/W
Approximate Weight	wt		2	g
Case Style		ITO-220AB		

\* The measurement point of case temperature is at the central point of top surface.

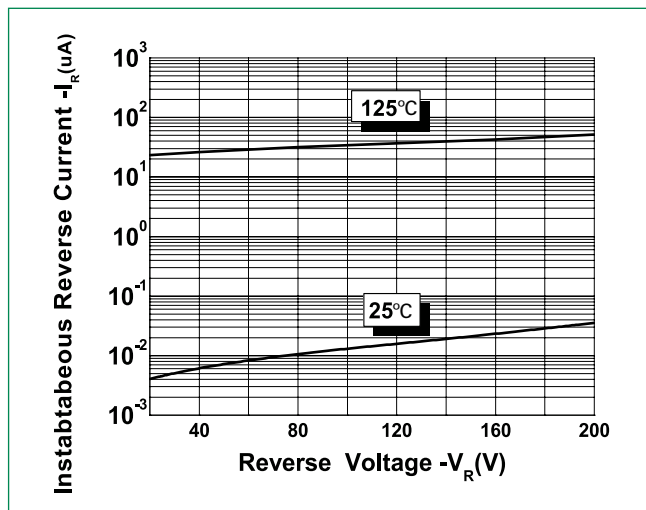
**Figure 1: Forward Current Derating Curve**



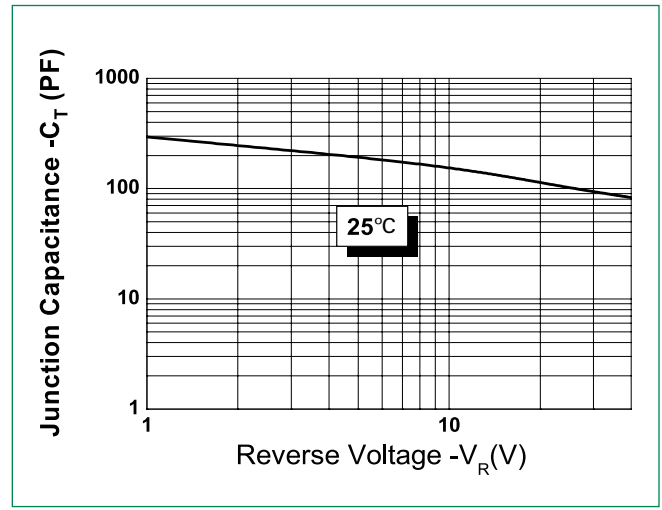
**Figure 2: Typical Forward Characteristics**



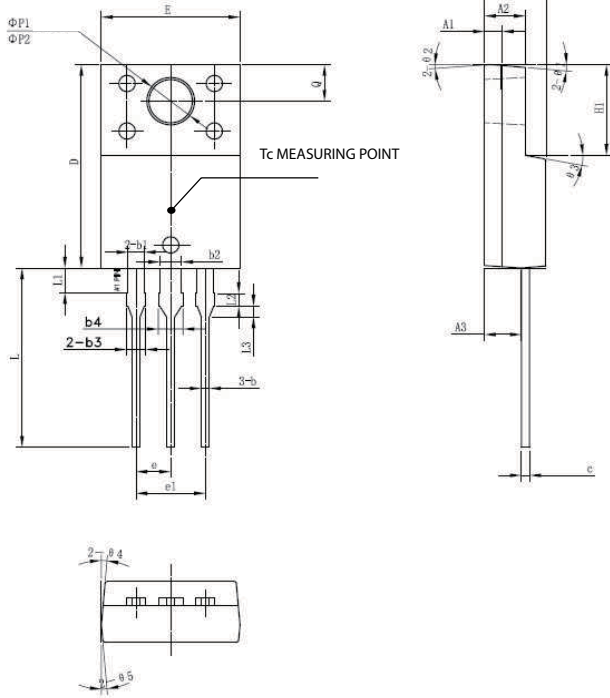
**Figure 3: Typical Reverse Characteristics**



**Figure 4: Typical Junction Capacitance**



**Dimensions- ITO-220AB**

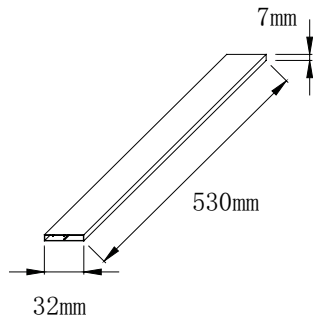


Symbol	Millimeters		
	Min	Typ	Max
A	4.30	4.50	4.70
A1	1.10	1.30	1.50
A2	2.80	3.00	3.20
A3	2.50	2.70	2.90
b	0.50	0.60	0.75
b1	1.10	1.20	1.35
b2	1.50	1.60	1.75
b3	1.20	1.30	1.45
b4	1.60	1.70	1.85
c	0.55	0.60	0.75
D	14.80	15.00	15.20
E	9.96	10.16	10.36
e		2.55	
e1		5.10	
H1	6.50	6.70	6.90
L	12.70	13.20	13.70
L1	1.60	1.80	2.00
L2	0.80	1.00	1.20
L3	0.60	0.80	1.00
ØP1	3.30	3.50	3.70
ØP2	2.99	3.19	3.39
Q	2.50	2.70	2.90
θ1		5°	
θ2		4°	
θ3		10°	
θ4		5°	
θ5		5°	

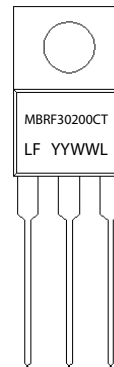
**Packing Options**

Part Number	Marking	Packing Mode	M.O.Q
MBRF30200CT	MBRF30200CT	50pcs /Tube	1000

**Tube Specification**



**Part Numbering and Marking System**



- MBR = Device Type
- F = Package type
- 30 = Forward Current (30A)
- 200 = Reverse Voltage (200V)
- CT = Configuration
- LF = Littelfuse
- YY = Year
- WW = Week
- L = Lot Number