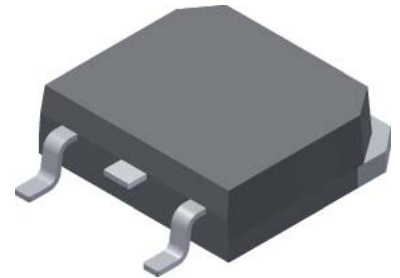


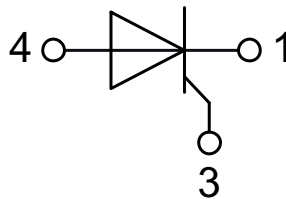
High Voltage Phase Control Thyristor

$$V_{\text{DRM}} = 2500 \text{ V}$$

$$I_{\text{TSM}} = 200 \text{ A}$$



Backside = anode



Features / Advantages:

- high voltage thyristor
 - for line frequency
 - chip technology for long term stability
 - planar glass passivated

Applications:

- controlled rectifiers
 - power supplies
 - drives
- AC switches
- capacitor discharge control
 - flash tubes
 - X-ray and laser generators

Package: TO-268AA (D³Pak)

- Industry standard outline
- RoHS compliant
- Epoxy meets UL 94V-0

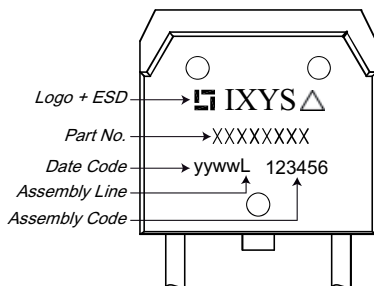
Disclaimer Notice

Information furnished is believed to be accurate and reliable. However, users should independently evaluate the suitability of and test each product selected for their own applications. Littelfuse products are not designed for, and may not be used in, all applications. Read complete Disclaimer Notice at www.littelfuse.com/disclaimer-electronics.

Rectifier			Ratings			
Symbol	Definitions	Conditions	min.	typ.	max.	Unit
$V_{DRM/DSM}$	max. repetitive/non-repetitive forward blocking voltage				2500	V
$V_{RRM/RSM}$	max. repetitive/non-repetitive reverse blocking voltage				1650	V
$I_{RRM/DRM}$	max. repetitive off-state current	$V_R = V_{RRM}$ $V_D = V_{DRM}$			50 200	μ A μ A
$I_{DSM/RSM}$	max. non-repetitive off-state current	$V_R = V_{RSM}; V_D = V_{DSM}$			2	mA
I_{TSM}	max. forward surge current	$t = 10$ ms, sine; $V_R = 0$ V			200	A
$(di/dt)_{cr}$	critical rate of rise of current	$f = 50$ Hz; $t_p = 200$ μ s; $V_D = 2000$ V $di_G/dt = 0.45$ A/ μ s; $I_G = 0.45$ A non repetitive; $I_T = 45$ A			150	A/ μ s
$(dv/dt)_{cr}$	critical rate of rise of voltage	$V_D = 2200$ V $R_{GK} = \infty$; method 1 (linear voltage rise)			5000	V/ μ s
V_T	forward voltage drop	$I_T = 45$ A			3.0	V
V_{GT} I_{GT}	gate trigger voltage gate trigger current	$V_D = 6$ V			2.5 250	V mA
V_{GD} I_{GD}	gate non-trigger voltage gate non-trigger current	$V_D = 2/3 V_{DRM}$			0.2 5	V mA
I_L	latching current	$t_p = 10$ μ s; $V_D = 6$ V $I_G = 0.45$ A; $di_G/dt = 0.45$ A/ μ s			700	mA
I_H	holding current	$V_D = 6$ V; $R_{GK} = \infty$			300	mA
t_q	turn-off time	$V_R = 10$ V; $I_T = 20$ A; $V_D = 800$ V $di/dt = -20$ A/ μ s; $dv/dt = 20$ V/ μ s $t_p = 300$ μ s			100	μ s
R_{thJC}	thermal resistance junction to case				0.8	K/W
R_{thCH}	thermal resistance case to heatsink				0.15	K/W

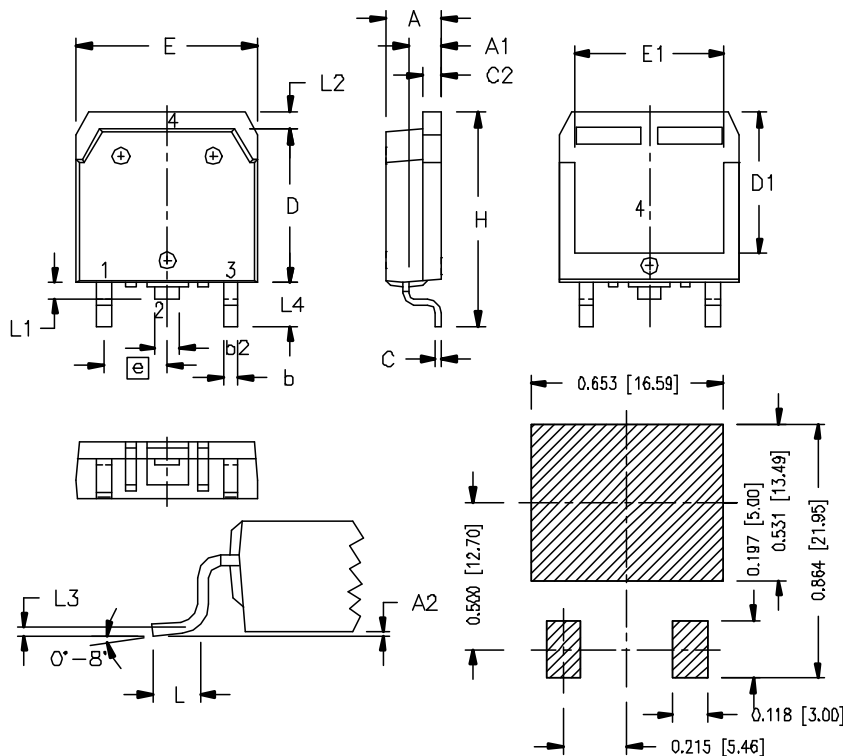
Package TO-268AA (D ³ Pak)			Ratings			
Symbol	Definitions	Conditions	min.	typ.	max.	Unit
I_{RMS}	RMS current	per terminal			70	A
T_{VJ}	virtual junction temperature		-10		70	°C
T_{op}	operation temperature		-10		70	°C
T_{stg}	storage temperature		-40		70	°C
Weight				4		g
F_c	mounting force with clip		20		120	N
$d_{Spp/App}$	creepage distance on surface / striking distance through air	terminal to terminal	9.4			mm
$d_{Spb/Appb}$		terminal to backside	5.6			mm

Product Marking



Ordering	Part Name	Marking on Product	Delivering Mode	Base Qty	Ordering Code
Standard	CS20-25moT1-TUB	CS20-25moT1	Tube	30	CS20-25moT1-TUB

Outlines TO-268AA (D³Pak)



Dim.	Millimeter		Inches	
	min	max	min	max
A	4.90	5.10	0.193	0.201
A1	2.70	2.90	0.106	0.114
A2	0.02	0.25	0.001	0.100
b	1.15	1.45	0.045	0.057
b2	1.90	2.10	0.075	0.083
C	0.40	0.65	0.016	0.026
C2	1.45	1.60	0.057	0.063
D	13.80	14.00	0.543	0.551
D1	12.40	12.70	0.488	0.500
E	15.85	16.05	0.624	0.632
E1	13.30	13.60	0.524	0.535
e	5.45 BSC		0.215 BSC	
H	18.70	19.10	0.736	0.752
L	2.40	2.70	0.094	0.106
L1	1.20	1.40	0.047	0.055
L2	1.00	1.15	0.039	0.045
L3	0.25 BSC		0.100 BSC	
L4	3.80	4.10	0.150	0.161

RECOMMENDED MINIMUM FOOT PRINT FOR SMD