

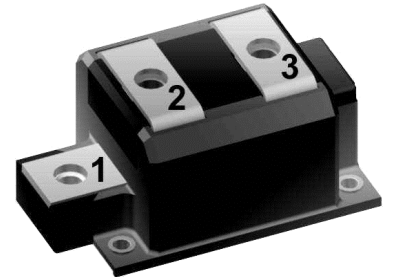
Standard Rectifier Module

$V_{RRM} = 1600\text{ V}$
 $I_{FAV} = 2 \times 700\text{ A}$
 $V_F = 1.05\text{ V}$

Common Cathode

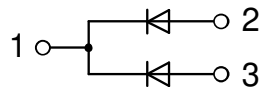
Part number

MDMA1400C1600CC



Backside: isolated

 E72873



Features / Advantages:

- Package with DCB ceramic
- Improved temperature and power cycling
- Planar passivated chips
- Very low forward voltage drop
- Very low leakage current

Applications:

- Diode for main rectification
- For single and three phase bridge configurations
- Supplies for DC power equipment
- Input rectifiers for PWM inverter
- Battery DC power supplies
- Field supply for DC motors

Package: ComPack

- Isolation Voltage: 4800 V~
- Industry standard outline
- RoHS compliant
- Base plate: Copper internally DCB isolated
- Advanced power cycling
- Phase Change Material available

Disclaimer Notice

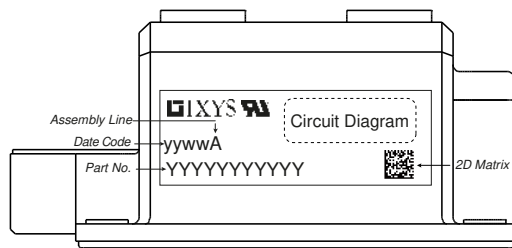
Information furnished is believed to be accurate and reliable. However, users should independently evaluate the suitability of and test each product selected for their own applications. Littelfuse products are not designed for, and may not be used in, all applications. Read complete Disclaimer Notice at www.littelfuse.com/disclaimer-electronics.



Rectifier				Ratings			
Symbol	Definition	Conditions		min.	typ.	max.	Unit
V_{RSM}	max. non-repetitive reverse blocking voltage					1700	V
V_{RRM}	max. repetitive reverse blocking voltage					1600	V
I_R	reverse current	$V_R = 1600$ V		$T_{VJ} = 25^\circ\text{C}$		500	μA
		$V_R = 1600$ V		$T_{VJ} = 150^\circ\text{C}$		20	mA
V_F	forward voltage drop	$I_F = 700$ A		$T_{VJ} = 25^\circ\text{C}$		1.14	V
		$I_F = 1400$ A				1.35	V
		$I_F = 700$ A		$T_{VJ} = 125^\circ\text{C}$		1.05	V
		$I_F = 1400$ A				1.30	V
I_{FAV}	average forward current	$T_C = 100^\circ\text{C}$		$T_{VJ} = 150^\circ\text{C}$		700	A
$I_{F(RMS)}$	RMS forward current	rectangular	$d = 0.5$			1100	A
V_{F0}	threshold voltage	} for power loss calculation only		$T_{VJ} = 150^\circ\text{C}$		0.78	V
r_F	slope resistance					0.35	m Ω
R_{thJC}	thermal resistance junction to case					0.055	K/W
R_{thCH}	thermal resistance case to heatsink				0.02		K/W
P_{tot}	total power dissipation			$T_C = 25^\circ\text{C}$		2270	W
I_{FSM}	max. forward surge current	$t = 10$ ms; (50 Hz), sine		$T_{VJ} = 45^\circ\text{C}$		20.0	kA
		$t = 8,3$ ms; (60 Hz), sine		$V_R = 0$ V		21.6	kA
		$t = 10$ ms; (50 Hz), sine		$T_{VJ} = 150^\circ\text{C}$		17.0	kA
		$t = 8,3$ ms; (60 Hz), sine		$V_R = 0$ V		18.4	kA
I^2t	value for fusing	$t = 10$ ms; (50 Hz), sine		$T_{VJ} = 45^\circ\text{C}$		2.00	MA ² s
		$t = 8,3$ ms; (60 Hz), sine		$V_R = 0$ V		1.94	MA ² s
		$t = 10$ ms; (50 Hz), sine		$T_{VJ} = 150^\circ\text{C}$		1.45	MA ² s
		$t = 8,3$ ms; (60 Hz), sine		$V_R = 0$ V		1.40	MA ² s
C_J	junction capacitance	$V_R = 400$ V; $f = 1$ MHz		$T_{VJ} = 25^\circ\text{C}$		781	pF



Package ComPack		Ratings				
Symbol	Definition	Conditions	min.	typ.	max.	Unit
I_{RMS}	RMS current	per terminal			1200	A
T_{VJ}	virtual junction temperature		-40		150	°C
T_{op}	operation temperature		-40		125	°C
T_{stg}	storage temperature		-40		125	°C
Weight				500		g
M_D	mounting torque		3		5	Nm
M_T	terminal torque		12		14	Nm
$d_{Spp/App}$	creepage distance on surface striking distance through air	terminal to terminal	21.0			mm
$d_{Spb/Apb}$		terminal to backside	18.0			mm
V_{ISOL}	isolation voltage	t = 1 second	4800			V
		t = 1 minute	4000			V



Part description

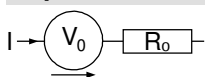
- M = Module
- D = Diode
- M = Standard Rectifier
- A = (up to 1800V)
- 1400 = Current Rating [A]
- C = Common Cathode
- 1600 = Reverse Voltage [V]
- CC = ComPack

Ordering	Ordering Number	Marking on Product	Delivery Mode	Quantity	Code No.
Standard	MDMA1400C1600CC	MDMA1400C1600CC	Box	3	520221

Equivalent Circuits for Simulation

* on die level

$T_{VJ} = 150^{\circ}C$

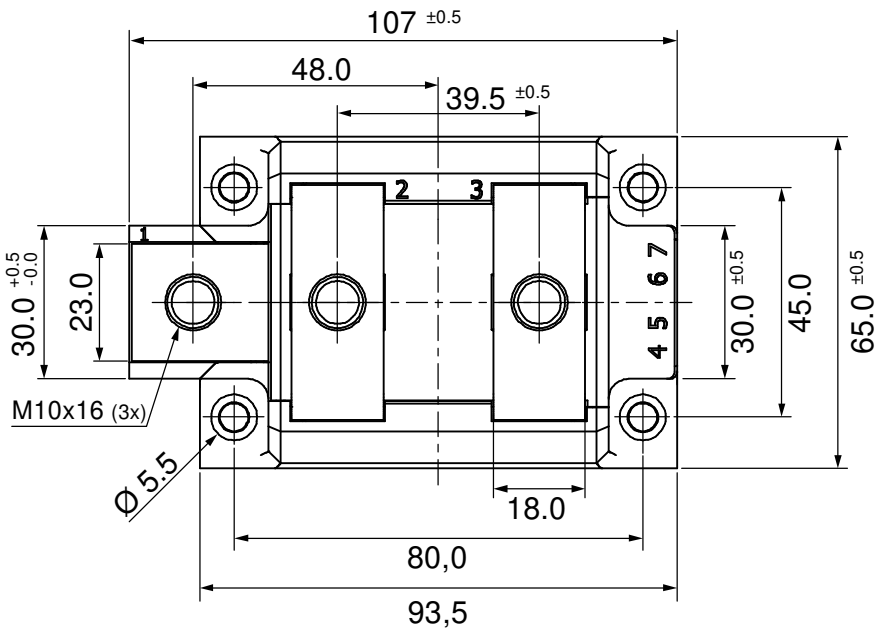
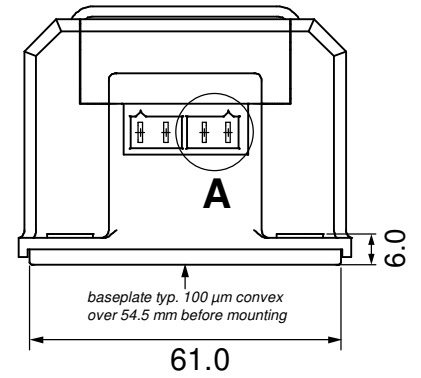
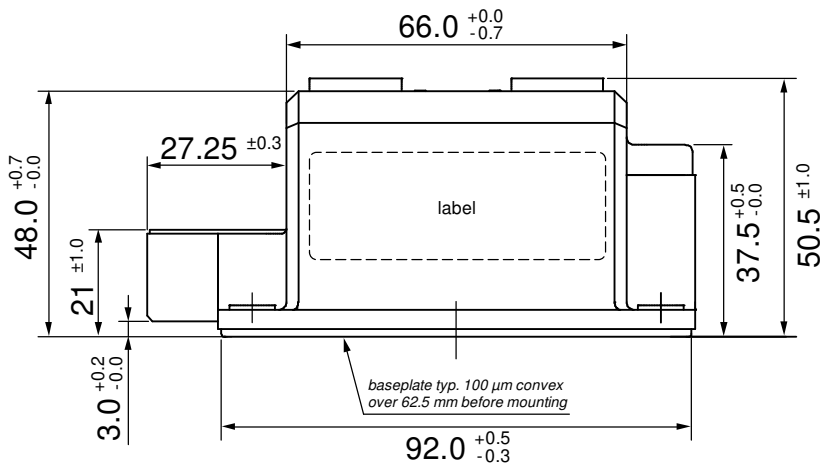


Rectifier

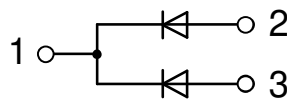
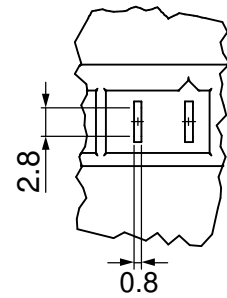
$V_{0\ max}$	threshold voltage	0.78	V
$R_{0\ max}$	slope resistance *	0.16	mΩ



Outlines ComPack



A (2:1)





Rectifier

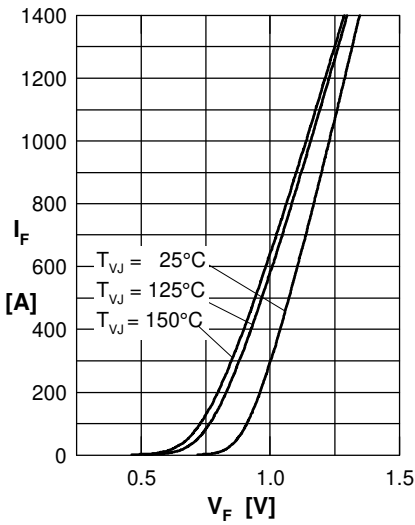


Fig. 1 Forward current versus voltage drop per diode

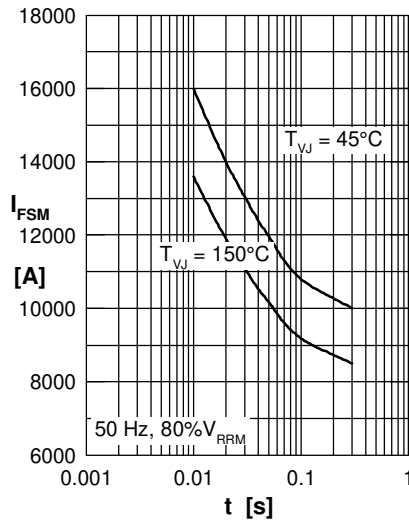


Fig. 2 Surge overload current vs. time per diode

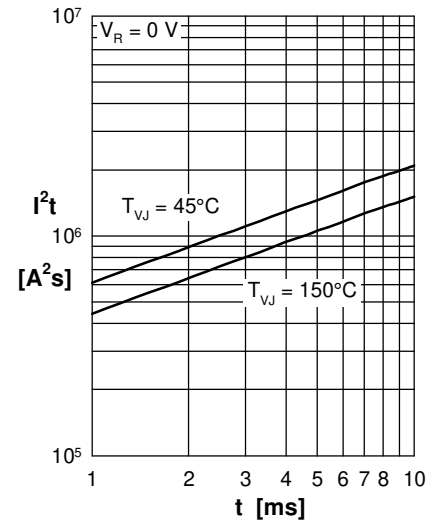


Fig. 3 I^2t versus time per diode

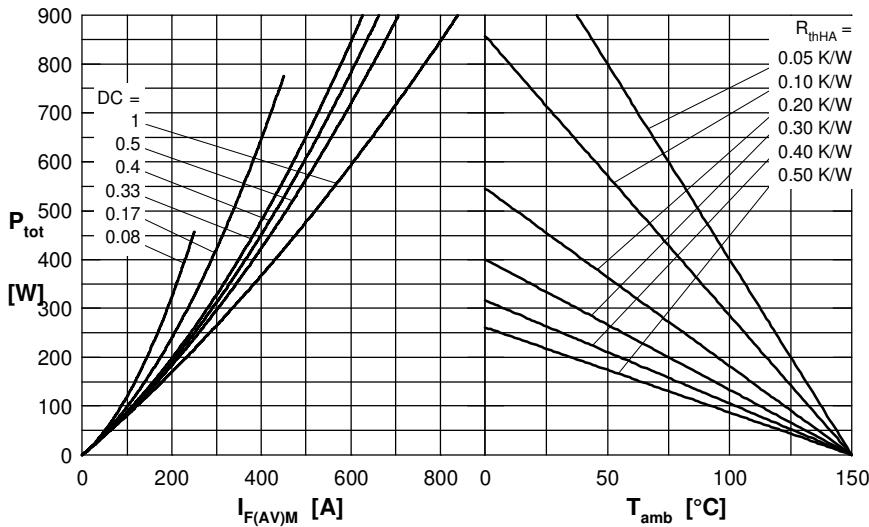


Fig. 4 Power dissipation vs. forward current and ambient temperature per diode

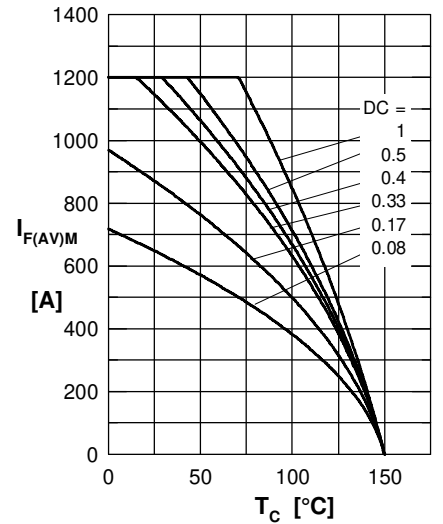


Fig. 5 Max. forward current vs. case temperature per diode

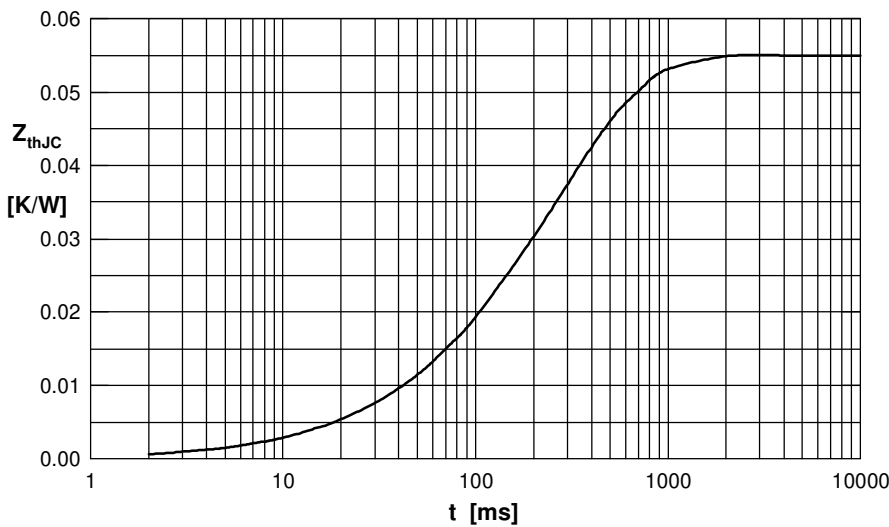


Fig. 6 Transient thermal impedance junction to case vs. time per diode

Constants for Z_{thJC} calculation:

i	R_{thi} (K/W)	t_i (s)
1	0.001	0.0150
2	0.004	0.0600
3	0.017	0.2000
4	0.033	0.3400