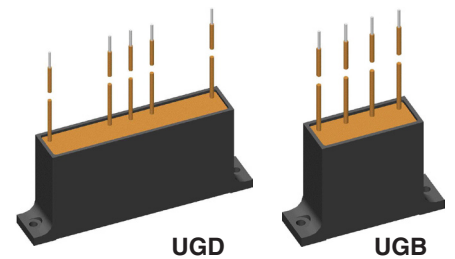
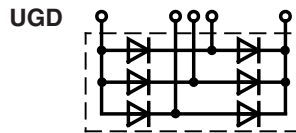
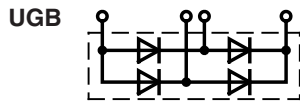


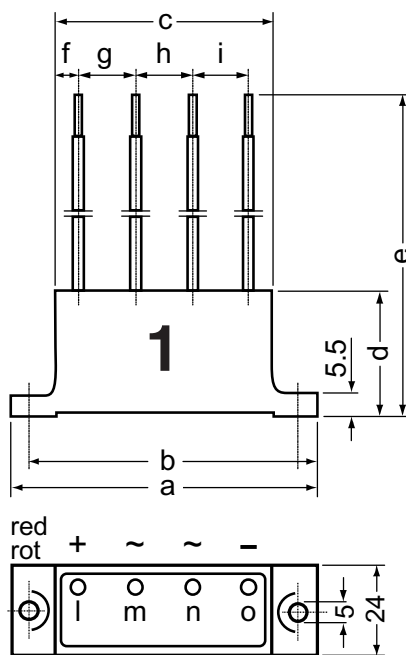
1~ / 3~ High Voltage Rectifiers

$$V_{RRM} = 4800-10500 \text{ V}$$

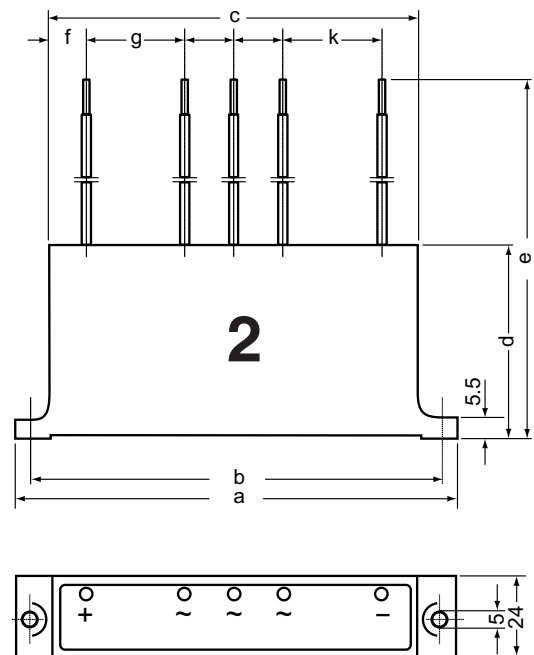
$$I_{F(AV)M} = 1.0-1.8 \text{ A}$$



Type	V_{RRM}	$V_{V(RMS)}$	$I_{F(AV)M}$	I_{FSM}	$T_{(vj)m}$	Weight	Dimensions
	V	V	A	A	°C	g	Fig.
UGB 3132 AD	4800	2250	1.2	60	150	150	1
UGB 6124 AG	10500	5000	1.0	50	150	300	2
UGD 6123 AG	7200	3300	1.8	50	150	300	2
UGD 8124 AG	10500	5000	1.2	50	150	300	2



Dimensions in mm
(1 mm = 0.0394")



Type	a	b	c	d	e	f	g	h	i	k
UGB 3132 AD	80	70	57	58.5	260	6	15	15	15	
UGB 6124 AG	135	125	112			11	32.5	25	32.5	
UGD 6123 AG	135	125	112			8	30	18	18	30
UGD 8124 AG	135	125	112			8	30	18	18	30

Disclaimer Notice

Information furnished is believed to be accurate and reliable. However, users should independently evaluate the suitability of and test each product selected for their own applications. Littelfuse products are not designed for, and may not be used in, all applications. Read complete Disclaimer Notice at www.littelfuse.com/disclaimer-electronics.