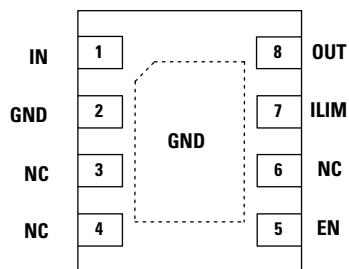


**LS0505EVD22L****5 V, 5 A eFuse with Over Voltage and Over Current Protection****Pinout Designation****Top View****Pin Description**

| Pin # | Pin Name | Description   |
|-------|----------|---|
| 2     | GND      | Ground pin  |
| 1     | IN       | Input pin   |
| 8     | OUT      | Output pin. OUT is discharged to GND through an internal 80 $\Omega$ resistor during OVP event.                             |
| 7     | ILIM     | Current limit program pin. Program the current limit by connecting a resistor to ground. This pin can't be short to ground. |
| 5     | EN       | Enable interface pin. Pull it above ON threshold to enable the IC. Pull it below OFF threshold to disable the IC.           |
| 3,4,6 | NC       | No Connection.  |

**Description**

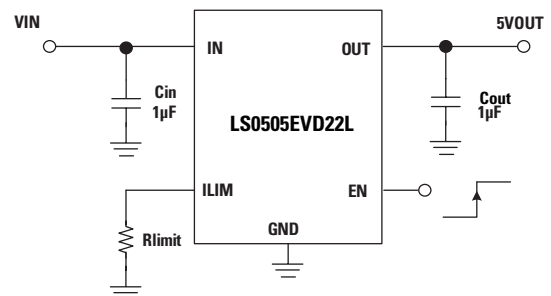
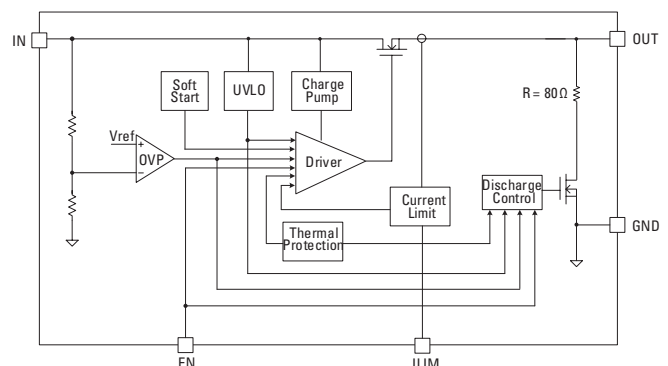
The LS0505EVD22L integrated load switch provides a robust input over-current protection to downstream circuit systems. The device comes with built-in over-voltage protection, internal soft-start. The switch's low RDS(ON) minimizes power loss of the system. In the event of input over voltage, LS0505EVD22L immediately turns off the switch to prevent downstream system from stress of excessive high voltage. Set the current limit level with an external resistor. Internal soft-start ensures a smooth output voltage ramp-up and limits the input in-rush current.

**Features & Benefits**

- Wide Input Voltage Range from 2.7V to 5.7V
- 30 V Maximum Input / output Voltage
- Built-in Fast Response Over-Voltage Protection at 5.7 V
- 50 m $\Omega$  Low RDS(ON) Protection Switch
- Discharge Output at OVP
- Internal Soft-Start
- Thermal Shutdown
- Programmable Current Limit Peak Current up to 5 A
- Hiccup Mode Protection for Over Load or Short Circuit
- DFN2X2\_8L Package
- Pb-Free and RoHS compliant

**Applications**

- Bluetooth Headsets
- Wearable Device
- Tablet PC
- Charging Cable
- Battery Devices
- Adapter Powered Devices

**Typical Applications****Functional Block Diagram**

**LS0505EVD22L****5 V, 5 A eFuse with Over Voltage and Over Current Protection****Absolute Maximum Rating (Reference to GND)**

| Symbol                           | Value        | Units |
|----------------------------------|--------------|-------|
| IN, OUT, EN                      | -0.3 to +30  | V     |
| ILIM                             | -0.3 to +6.5 | V     |
| ESD, Human Body Model (HBM)      | ±2000        | V     |
| Junction Temperature Range       | -40 to +150  | °C    |
| Storage Temperature Range        | -65 to +150  | °C    |
| Lead Temperature (Soldering 10s) | 260          | °C    |

**Notes:**

1. Stress exceeding those listed "Absolute Maximum Ratings" may damage the device.
2. ESD HBM testing per JEDEC22-A114F

**Thermal information**

| Symbol   | Value | Units |
|--|-------|-------|
| Maximum Power Dissipation ( $T_A=25^\circ\text{C}$ ) | 1.52  | W     |
| Thermal Resistance ( $\theta_{JA}$ )                 | 82    | °C/W  |
| Thermal Resistance ( $\theta_{JC}$ )                 | 52    | °C/W  |

**Notes:**

1. Measured on JE5D51-7, 4-Layer PCB.
2. The maximum allowable power dissipation is a function of the maximum junction temperature  $T_{J,MAX}$ , the junction to ambient thermal resistance  $\theta_{JA}$ , and the ambient temperature  $T_A$ . The maximum allowable continuous power dissipation at any ambient temperature is calculated by  $P_{D,MAX} = (T_{J,MAX} - T_A) / \theta_{JA}$ . Exceeding the maximum allowable power dissipation will cause excessive die temperature, and the regulator will go into thermal shutdown. Internal thermal shutdown circuitry protects the device from permanent damage.

**Recommend Operating Conditions**

| Symbol                     | Value        | Units |
|----------------------------|--------------|-------|
| Input Voltage (IN)         | +2.7 to +5.7 | V     |
| Junction Temperature Range | +125         | °C    |

**Notes:** The device is not guaranteed to function outside of the recommended operating conditions.

**Electrical Characteristics ( $T_A = +25^\circ\text{C}$ ,  $V_{IN}=5\text{ V}$ ,  $C_{IN}=1\ \mu\text{F}$ , unless otherwise specified)**

| Symbol       | Parameter                             | Test Conditions                         | Min  | Typ  | Max  | Unit          |
|--------------|---------------------------------------|---|------|------|------|---------------|
| $V_{IN}$     | Input Voltage Range                   |   | 2.7  |      | 5.7  | V             |
| $I_{BIAS}$   | Quiescent Current                     |   |      | 200  | 260  | $\mu\text{A}$ |
| $I_{SD}$     | Shutdown Current                      | $V_{EN}=0\text{V}$                      |      | 5    | 10   | $\mu\text{A}$ |
| $R_{DS(ON)}$ | Power Switch On Resistance            |   |      | 50   |      | m $\Omega$    |
| $V_{UV}$     | Input Under-voltage Threshold         |   |      | 2.48 |      | V             |
| $V_{UVHYS}$  | Input Under-voltage Hysteresis        |   |      | 180  |      | mV            |
| $V_{OV}$     | Input Over-voltage Threshold          |   |      | 5.7  |      | V             |
| $V_{OV}$     | Over Voltage Protection response time |   |      | 250  |      | ns            |
| $V_{OV}$     | Input Over-voltage Hysteresis         |   |      | 330  |      | mV            |
| $T_{SS}$     | Soft-start Slew Rate Time             |   |      | 230  |      | $\mu\text{s}$ |
| $I_{LIMT}$   | Current Limit                         | $R_{LIM}=500\ \text{k}\Omega$           | 1.35 | 1.5  | 1.65 | A             |
|              |                                       | $I_{LIM}$ pin float                     |      | 5    |      |               |
| $K_{LIM}$    | Current Limit Setting Factor          | $I_{INLIM}=1\ \text{A}\sim 5\ \text{A}$ | 675  | 750  | 825  | A*k $\Omega$  |
| $R_{Disch}$  | OUT Discharging Resistance            | $V_{IN}=6.5\ \text{V}$                  |      | 80   |      | $\Omega$      |
| $V_{IH,EN}$  | EN Logic High Input Voltage           |   | 1.2  |      |      | V             |
| $V_{IL,EN}$  | EN Logic Low Input Voltage            |   |      |      | 0.4  | V             |
| $T_{SD}$     | Thermal Shutdown Temperature          |   |      | 160  |      | °C            |
| $T_{HYS}$    | Thermal Shutdown Hysteresis           |   |      | 40   |      | °C            |

# LS0505EVD22L

## 5 V, 5 A eFuse with Over Voltage and Over Current Protection

Figure 1 - Quiescent Current vs. Input Voltage

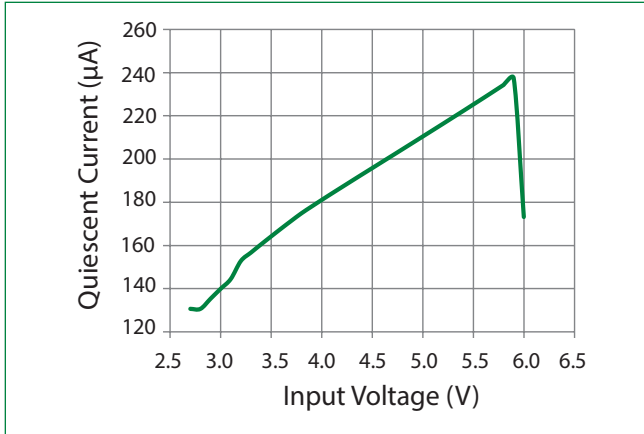


Figure 2 - RLimit vs. Ilimit (5V<sub>IN</sub> Application)

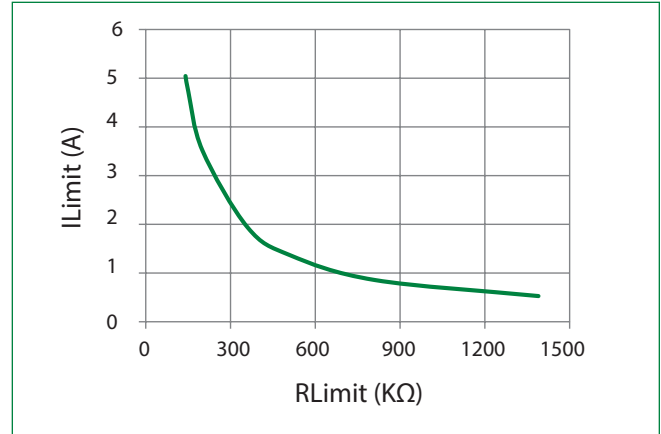


Figure 3 - V<sub>IN</sub> On (5V<sub>IN</sub>, I<sub>O</sub> = 0 A)

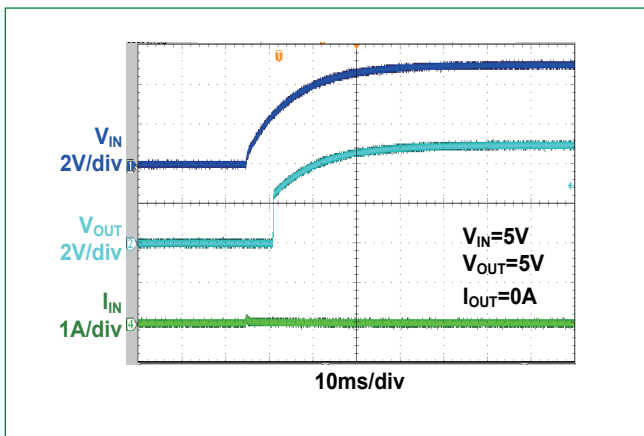


Figure 4 - Vin Off (5V<sub>IN</sub>, I<sub>O</sub> = 0 A)

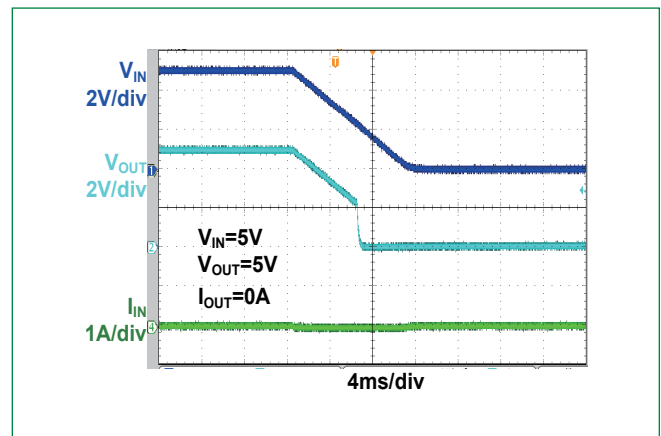


Figure 5 - V<sub>IN</sub> On (5V<sub>IN</sub>, I<sub>O</sub> = 3 A)

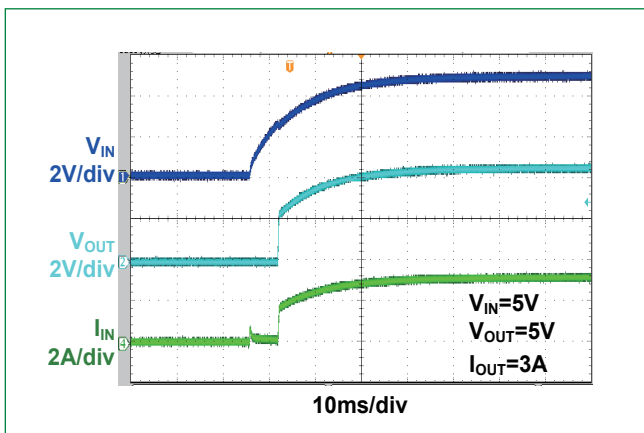
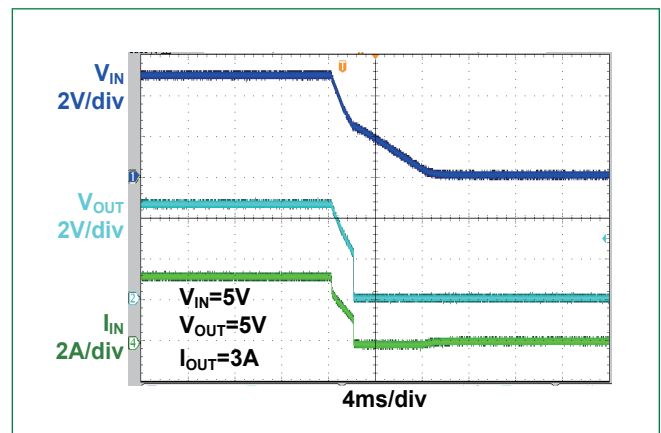


Figure 6 - V<sub>IN</sub> Off (5V<sub>IN</sub>, I<sub>O</sub> = 3 A)



# LS0505EVD22L

## 5 V, 5 A eFuse with Over Voltage and Over Current Protection

Figure 7 - Soft Start (3.3V<sub>IN</sub>, I<sub>O</sub> = 0 A)

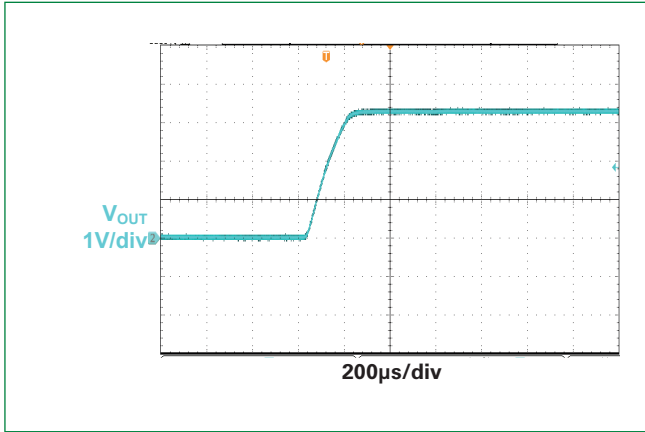


Figure 8 - Soft Start (5V<sub>IN</sub>, I<sub>O</sub> = 0 A)

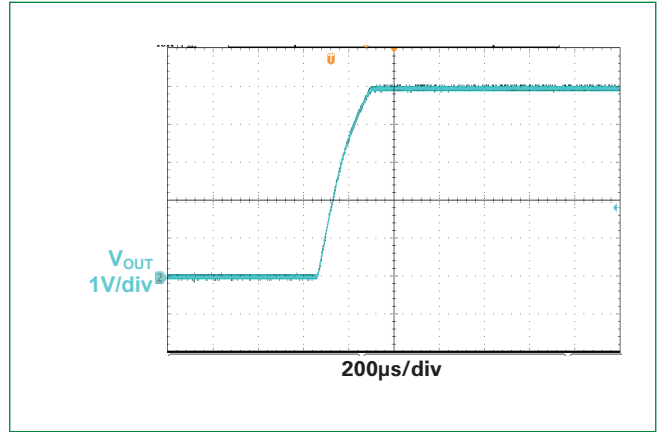


Figure 9 - Current Limit (5V<sub>IN</sub>, R<sub>limit</sub> = float)

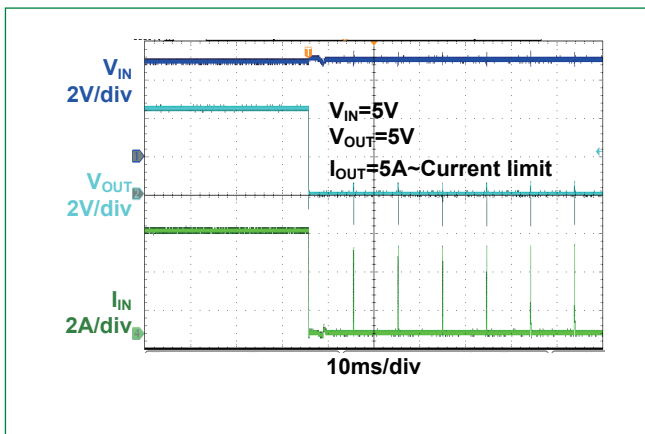


Figure 10 - Current Limit (5V<sub>IN</sub>, R<sub>limit</sub> = 500 k)

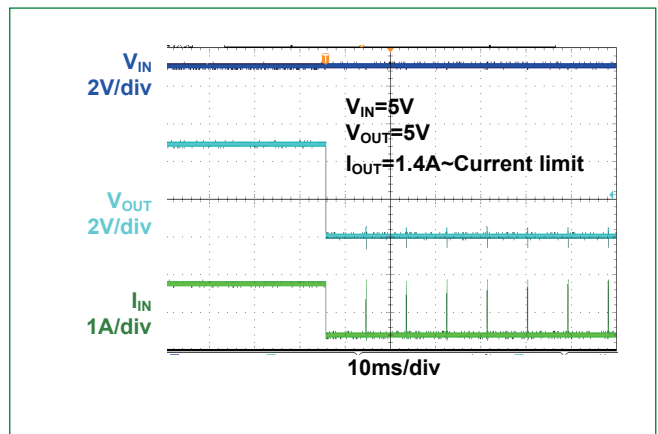


Figure 11 - Short Protection (5V<sub>IN</sub>, R<sub>limit</sub> = float)

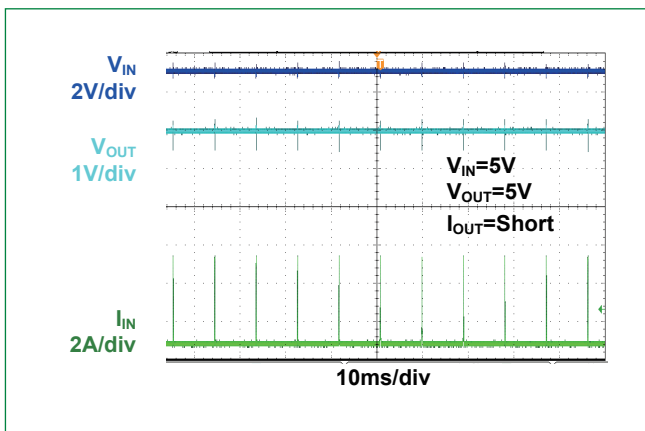
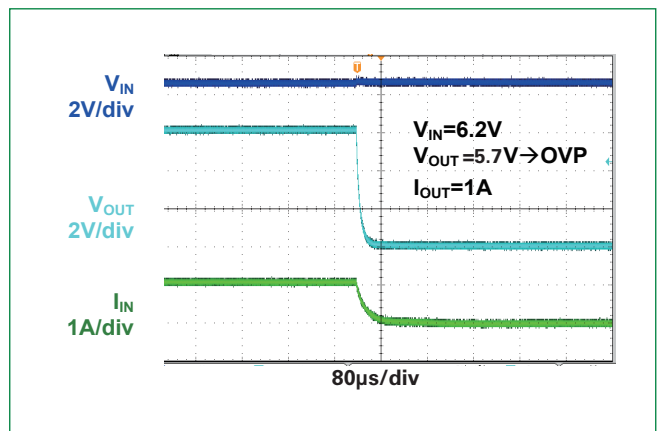


Figure 12 - Over Voltage Protection (5V<sub>IN</sub> Application, I<sub>O</sub> = 1 A)



# LS0505EVD22L

## 5 V, 5 A eFuse with Over Voltage and Over Current Protection

### Detailed Description

The LS0505EVD22L is a fully integrated load switch with built-in over-voltage protection, internal soft-start and programmable current limit. When the input voltage is within the valid range (2.7 V~5.7 V), the output pin OUT will ramp up with a fixed slew rate defined by internal soft-start. After OUT ramps up to input level, the internal load switch is fully turned on and ready to supply power to the system. LS0505EVD22L continuously monitors the system load current through the switch when the power is on. Once the load current reaches the current limit ILIMIT programmed by ILIMIT pin, LS0505EVD22L will regulate the load current for 60  $\mu$ s to prevent the load current from running away. After 60  $\mu$ s, if the current limit condition sustains, LS0505EVD22L will turn off the load switch, wait for 8 ms and then try to re-start. In the event of system short circuit failure, the load current could jump significantly higher than the current limit. Whenever the load current is 2 A larger than the current limit level, LS0505EVD22L immediately turns off the load switch to prevent device damage and waits for 8ms before it tries to re-start.

LS0505EVD22L has an internal input OVP to protect the system from being stressed by excessively high voltage. Once it detects input voltage is higher than the built-in over-voltage threshold, LS0505EVD22L immediately turns off the load switch. The load switch turns on automatically once the input voltage falls within the valid range.

The LS0505EVD22L also has thermal shutdown protection, when device temperature ( $T_J$ ) exceeds  $T_{SHDN}$ , typically 160 °C, the thermal shutdown circuitry will shut down the internal MOSFET thereby disconnecting the load from the input supply. The LS0505EVD22L will remain off until the device temperature falls below  $T_{SHDN} - 40$  °C, after which it will attempt to restart.

### Programmable Over-Current Protection

A programmable current limit level and short circuit current protection has been designed to prevent the load current overload the regulator. When the input current limit loop is engaged, input current will be automatically reduced to the pre-determined level which is set by  $I_{LIM}$  pin, and regulate the load current for 60  $\mu$ s, then enter hiccup mode waiting for 8 ms to reduce power dissipation. When a short event happens, the short protection circuit will be triggered and turn off power switch quickly, LS0505EVD22L will restart after 8 ms. The output can be shorted to ground indefinitely without damaging the part.

Input current limit can be programmed with below equation:

$$I_{INLIM} = \frac{750A * k\Omega}{R_{ILIM}}$$

Where  $R_{LIM}$  is the program resistor at the  $I_{LIM}$  pin.

| Program Current Limit Resistance (k $\Omega$ ) | 750 | 375 | 250 | 187.5 | 150 |
|--|-----|-----|-----|-------|-----|
| Current Limit $I_{INLIM}$ (A)                  | 1   | 2   | 3   | 4     | 5   |

For the stable system operation, recommend to set the current limit level 1.2~1.5 times of the maximum system load current to avoid mis-triggering the current limit and causing system malfunctions.

### Soft Start

When LS0505EVD22L is power on, VOUT will ramp up with a controlled rising time for minimizing inrush current.

### Enable

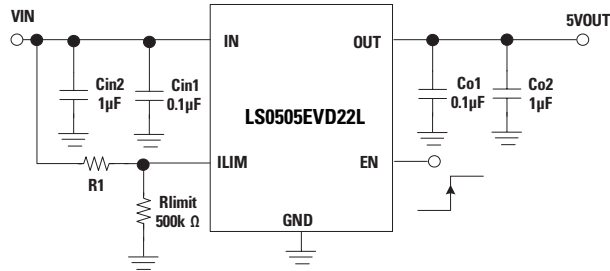
Enable interface pin. Pull it above ON threshold High to enable the IC. Pull it below OFF threshold to disable the IC.

### Input and Output Capacitor Selection

The LS0505EVD22L require  $\geq 1$   $\mu$ F input and output capacitor connected to GND. Although X7R type capacitors are recommended, X5R and others may be used.

### PCB Layout Guideline

- For all applications, a 0.1  $\mu$ F or greater ceramic decoupling capacitor is recommended between IN terminal and GND, and a 0.1  $\mu$ F or greater ceramic decoupling capacitor is recommended between OUT terminal and GDN. For hot-plug applications, where input power path inductance is negligible, this capacitor can be eliminated/minimized.
- The optimum placement of decoupling capacitor is closest to the IN and GND terminals of the device. Care must be taken to minimize the loop area formed by the bypass-capacitor connection, the IN terminal, and the GND terminal of the IC.
- High current carrying power path connections should be as short as possible and should be sized to carry at least twice the full-load current.
- The GND terminal must be tied to the PCB ground plane at the terminal of the IC. The PCB ground should be a copper plane or island on the board.
- Obtaining acceptable performance with alternate layout schemes is possible; however, this layout has been shown to produce good results and is intended as a guideline.

**LS0505EVD22L****5 V, 5 A eFuse with Over Voltage and Over Current Protection****Application Schematic****Bill of Materials**

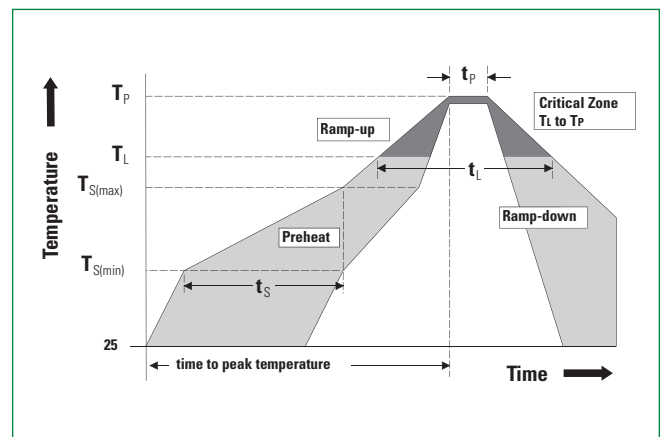
| Qty | Ref       | Value        | Description                  | Package   |
|-----|-----------|--------------|------------------------------|-----------|
| 2   | CIN2, CO2 | 1 µF         | Ceramic Capacitor, 35 V, X5R | 0805      |
| 2   | CIN1, CO1 | 0.1 µF       | Ceramic Capacitor, 35 V, X5R | 0603      |
| 1   | Rlimit    | 500 kΩ       | Resistor, ±1 %               | 0603      |
| 1   | R1        | NC           | Resistor, ±1 %               | 0603      |
| 1   | U1        | LS0505EVD22L | eFuse IC                     | DFN2x2_8L |

**Soldering Parameters**

|   |                                    |                |
|---|------------------------------------|----------------|
| <b>Average Ramp Up Rate (<math>T_{smin}</math> to <math>T_p</math>)</b> | 1~2 °C/second,<br>3 °C/second max  |                |
| <b>Preheat &amp; Soak</b>   | - Temperature Min ( $T_{s(min)}$ ) | 150 °C         |
|   | - Temperature Max ( $T_{s(max)}$ ) | 200 °C         |
|   | - Time (min to max) ( $t_s$ )      | 60 – 120 secs  |
| <b>Time Maintained Above</b>  | - Temperature ( $T_L$ )            | 217 °C         |
|   | - Time ( $t_L$ )                   | 60~150 seconds |
| <b>Peak Temperature (<math>T_p</math>)</b>                              | See Classification Temp in table1  |                |
| <b>Time Within 5°C of Actual Peak Temperature (<math>t_p</math>)</b>    | 30 seconds max                     |                |
| <b>Ramp-down Rate</b>   | 6 °C/second max                    |                |
| <b>Time 25 °C to Peak Temperature (<math>T_p</math>)</b>                | 8 minutes max                      |                |

**Notes:**

1. Tolerance for peak profile Temperature( $T_p$ ) is defined as a supplier minimum and a user maximum.
2. Tolerance for time at peak profile temperature ( $t_p$ ) is defined as a supplier minimum and a user maximum.

**Ordering Information**

| Part Number  | Package   | Min Order Qty    |
|--------------|-----------|------------------|
| LS0505EVD22L | DFN2x2_8L | 3000/Tape & Reel |

**Table 1: Pb-free Process –Classification Temperatures ( $T_c$ )**

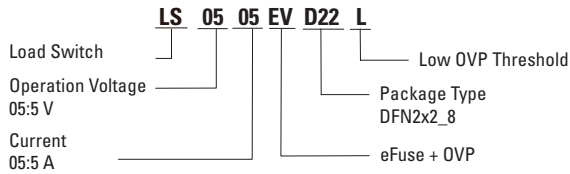
| Package Thickness | Volume mm <sup>3</sup><br><350 | Volume mm <sup>3</sup><br>350-2000 | Volume mm <sup>3</sup><br>>2000 |
|-------------------|--------------------------------|------------------------------------|---------------------------------|
| <1.6 mm           | 260 °C                         | 260 °C                             | 260 °C                          |
| 1.6 mm–2.5 mm     | 260 °C                         | 250 °C                             | 245 °C                          |
| >2.5 mm           | 250 °C                         | 245 °C                             | 245 °C                          |
| -                 | 3,4,5,6                        | NC                                 | No Connection                   |

**Note:** For all temperature information, please refer to topside of the package, measured on the package body surface.

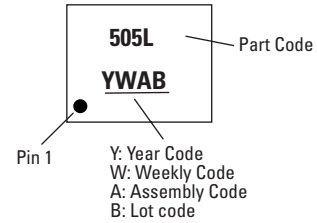
# LS0505EVD22L

## 5 V, 5 A eFuse with Over Voltage and Over Current Protection

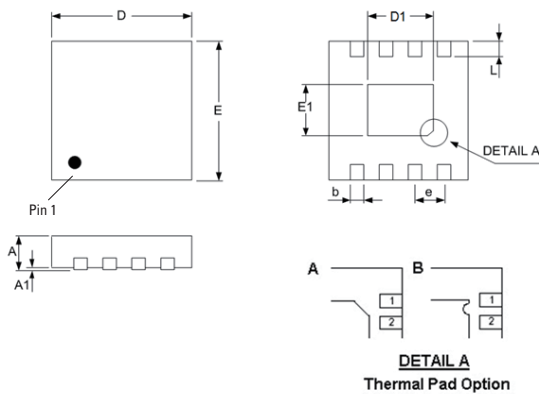
### Part Numbering



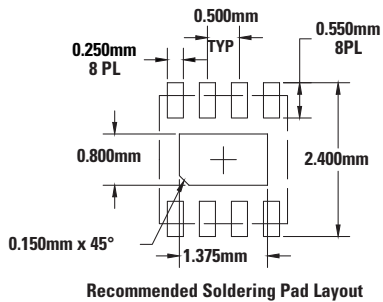
### Part Marking



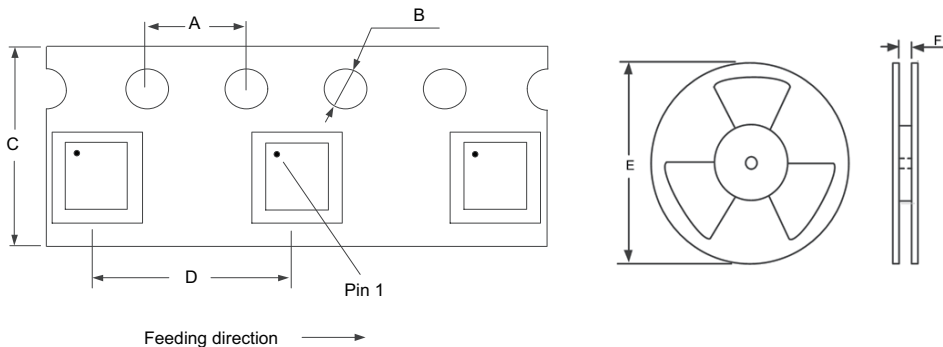
### Dimensions – DFN2x2\_8L



| Dimension | Millimeters |      | Inches |       |
|-----------|-------------|------|--------|-------|
|           | Min         | Max  | Min    | Max   |
| A         | 0.70        | 0.80 | 0.028  | 0.031 |
| A1        | 0.00        | 0.05 | 0.000  | 0.002 |
| b         | 0.18        | 0.30 | 0.007  | 0.012 |
| D         | 1.90        | 2.10 | 0.075  | 0.083 |
| D1        | 1.10        | 1.70 | 0.043  | 0.067 |
| E         | 1.90        | 2.10 | 0.075  | 0.083 |
| E1        | 0.50        | 0.70 | 0.020  | 0.028 |
| e         | 0.50        |      | 0.020  |       |
| L         | 0.20        | 0.40 | 0.008  | 0.016 |



### Carrier Tape & Reel Specification – DFN2x2\_8L



| Symbol | Millimeters |
|--------|-------------|
| A      | 4.0         |
| B      | 1.5         |
| C      | 8.0         |
| D      | 4.0         |
| E      | 7 inch      |
| F      | 9.0         |