

**Specification Status: Released**

**Electrical Rating**

**Voltage: 16V<sub>DC</sub> MAX**  
**Current: 100A MAX**

**Insulating Material:**

Cured, Flame Retardant Epoxy Polymer  
meets UL94 V-0 Requirements

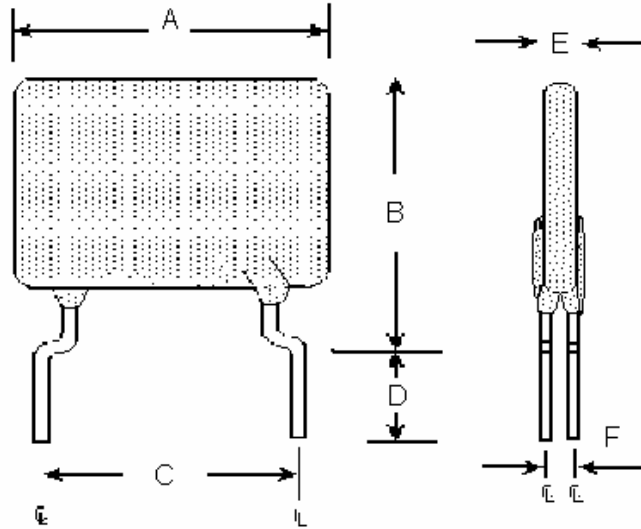
**Lead Material:**

18 AWG Tin Plated Copper

**Marking:**

— Manufacturer's Mark  
XX H15 and Part Identification

□□□□ — Lot Identification



**TABLE I. DIMENSIONS:**

	A		B		C		D		E		F
	MIN	MAX	MIN	MAX	MIN	MAX	MIN	MAX	MIN	MAX	TYP
mm:	--	23.5	--	28.7	9.4	10.9	7.6	--	--	3.6	1.4
in*:	--	(0.925)	--	(1.13)	(0.37)	(0.43)	(0.30)	--	--	(0.14)	(0.06)

\*Rounded off approximation

**TABLE II. PERFORMANCE RATINGS:**

I HOLD RATED CURRENT	CURRENT RATINGS		TIME TO TRIP	INITIAL RESISTANCE VALUES		ONE-HOUR POST-TRIP RESISTANCE STANDARD TRIP	NOMINAL TRIPPED POWER DISSIPATION
	AMPS AT 25°C HOLD	AMPS AT 25°C HOLD   TRIP	SECONDS AT 25°C, 75A MAX	OHMS AT 25°C MIN	OHMS AT 25°C MAX	OHMS AT 25°C MAX	WATTS AT 25°C 16V TYP
15.0	15.0	28.0	20.0	0.0032	0.00613	0.0092	7.0

**Agency Recognitions:**

Reference Documents:

Precedence:

Effectivity:

CAUTION:

flame.

**UL, CSA, TUV**

PS300

This specification takes precedence over documents referenced herein.

Reference documents shall be the issue in effect on the date of invitation for bid.

Operation beyond the rated voltage or current may result in rupture, electrical arcing or

**Materials Information**

**ROHS Compliant**

**ELV Compliant**

**Pb-Free**

**Halogen Free\***

Directive 2002/95/EC  
Compliant

Directive 2000/53/EC  
Compliant



\* Halogen Free refers to: Br≤900ppm, Cl≤900ppm, Br+Cl≤1500ppm.

Information furnished is believed to be accurate and reliable. However, users should independently evaluate the suitability of and test each product selected for their own applications. Littelfuse products are not designed for, and shall not be used for, any purpose (including, without limitation, military, aerospace, medical, lifesaving life-sustaining or nuclear facility applications, devices intended for surgical implant into the body, or any other application in which the failure or lack of desired operation of the product may result in personal injury, death, or property damage) other than those expressly set forth in applicable Littelfuse product documentation. Warranties granted by Littelfuse shall be deemed void for products used for any purpose not expressly set forth in applicable Littelfuse documentation. Littelfuse shall not be liable for any claims or damages arising out of products used in applications not expressly intended by Littelfuse as set forth in applicable Littelfuse documentation. The sale and use of Littelfuse products is subject to Littelfuse Terms and Conditions of Sale, unless otherwise agreed by Littelfuse.