

**Specification Status: Released**

**Electrical Rating**

**Voltage: 16V MAX**  
**Current: 100A MAX**

**Insulating Material:**

Cured, Flame Retardant Epoxy Polymer  
meets UL94 V-0 Requirements

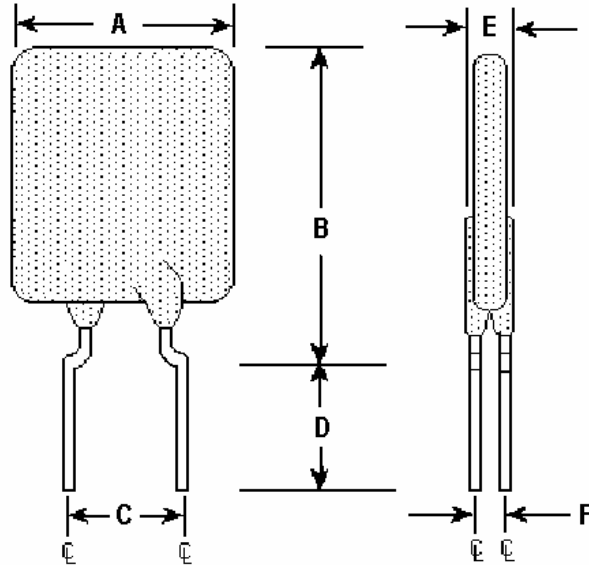
**Lead Material:**

20 AWG Tin Plated Copper  
(0.8 mm [0.032] nom. diameter)

**Marking:**

— Manufacturer's Mark  
XX H6 and Part Identification

□ □ □ □ — Lot Identification



**TABLE I. DIMENSIONS:**

|      | A   |        | B   |        | C      |        | D      |     | E   |        | F      |
|------|-----|--------|-----|--------|--------|--------|--------|-----|-----|--------|--------|
|      | MIN | MAX    | MIN | MAX    | MIN    | MAX    | MIN    | MAX | MIN | MAX    | TYP    |
| mm:  | --  | 11.2   | --  | 21.0   | 4.3    | 5.8    | 7.6    | --  | --  | 3.0    | 1.2    |
| in*: | --  | (0.44) | --  | (0.83) | (0.17) | (0.23) | (0.30) | --  | --  | (0.12) | (0.05) |

\*Rounded off approximation

**TABLE II. PERFORMANCE RATINGS:**

| I HOLD RATED CURRENT | CURRENT RATINGS   |                   | TIME TO TRIP             | INITIAL RESISTANCE VALUES |                  | ONE-HOUR POST-TRIP RESISTANCE STANDARD TRIP | NOMINAL TRIPPED POWER DISSIPATION |
|----------------------|-------------------|-------------------|--------------------------|---------------------------|------------------|---|-----------------------------------|
| AMPS AT 25°C HOLD    | AMPS AT 25°C HOLD | AMPS AT 25°C TRIP | SECONDS AT 25°C, 30A MAX | OHMS AT 25°C MIN          | OHMS AT 25°C MAX | OHMS AT 25°C MAX                            | WATTS AT 25°C 16V TYP             |
| 6.0                  | 6.0               | 10.8              | 5.0                      | 0.013                     | 0.0215           | 0.032                                       | 4.1                               |

Agency Recognitions:  
Reference Documents:  
Precedence:  
Effectivity:  
CAUTION:

UL, CSA, TUV  
PS300  
This specification takes precedence over documents referenced herein.  
Reference documents shall be the issue in effect on the date of invitation for bid.  
Operation beyond the rated voltage or current may result in rupture, electrical arcing or flame.

**Materials Information**

**ROHS Compliant**

Directive 2002/95/EC  
Compliant

**ELV Compliant**

Directive 2000/53/EC  
Compliant

**Pb-Free**



**Halogen Free\***



\* Halogen Free refers to: Br≤900ppm, Cl≤900ppm, Br+Cl≤1500ppm

Information furnished is believed to be accurate and reliable. However, users should independently evaluate the suitability of and test each product selected for their own applications. Littelfuse products are not designed for, and shall not be used for, any purpose (including, without limitation, military, aerospace, medical, lifesaving, life-sustaining or nuclear facility applications, devices intended for surgical implant into the body, or any other application in which the failure or lack of desired operation of the product may result in personal injury, death, or property damage) other than those expressly set forth in applicable Littelfuse product documentation. Warranties granted by Littelfuse shall be deemed void for products used for any purpose not expressly set forth in applicable Littelfuse documentation. Littelfuse shall not be liable for any claims or damages arising out of products used in applications not expressly intended by Littelfuse as set forth in applicable Littelfuse documentation. The sale and use of Littelfuse products is subject to Littelfuse Terms and Conditions of Sale, unless otherwise agreed by Littelfuse.