

**Specification Status: Released**

**Maximum Electrical Rating**  
Operating Voltage: 16Vdc MAX  
Interrupt Current: 60A MAX

Chip Size: 3.6 X 10 mm

Leads: Nickel  
0.125mm nominal thickness

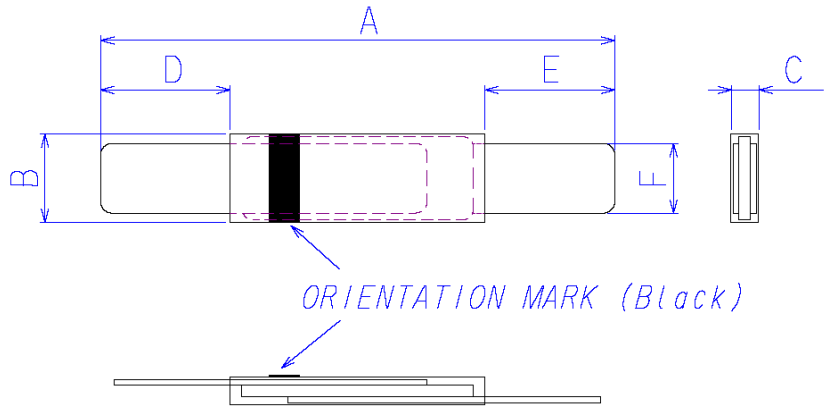
Solder: Lead-free

Tape: Polyester  
11mm nominal width

Marking: (Color: Green)  
Manufacturer's Mark

XX W22 — Part Identification

□□□□ — Lot Identification



**TABLE I. DIMENSIONS:**

	A		B		C		D		E		F	
	MIN	MAX	MIN	MAX	MIN	MAX	MIN	MAX	MIN	MAX	MIN	MAX
mm:	21.1	23.3	3.5	3.9	0.6	0.8	5.1	6.8	5.1	6.8	2.9	3.1
in*:	(0.83)	(0.91)	(0.14)	(0.15)	(0.02)	(0.03)	(.20)	(0.27)	(0.20)	(0.27)	(0.11)	(0.12)

\*Rounded off approximation

**TABLE II. PERFORMANCE RATINGS: As measured in Mueller Kelvin Clips model BU-75K.**

I HOLD	CURRENT TRIP LIMITS								TIME TO TRIP	REFERENC E RESISTANC E	ONE-HOUR POST-TRIP RESISTANCE		TRIPPED- STATE POWER DISSIPATION								
	AMPS 25°C		AMPS AT 0°C		AMPS AT 25°C		AMPS AT 60°C				AMPS AT --°C			SECONDS AT 25°C, 11.0A		OHMS AT 25°C		OHMS AT 25°C		WATTS AT 25°C, 16V	
	HOLD	TRIP	HOLD	TRIP	HOLD	TRIP	HOLD	TRIP			HOLD	TRIP		TYP	MAX	MIN	MAX	MIN	MAX	MIN	MAX
2.2	3.0	7.0	2.2	5.3	1.1	3.1	---	---	---	5	0.017	0.029	0.017	0.058	1.8						

Agency Recognitions: UL, TUV, CSA  
Reference Documents: PS300  
Precedence: This specification takes precedence over documents referenced herein.  
Effectivity: Reference documents shall be the issue in effect on the date of invitation for bid.  
CAUTION: Operation beyond the rated voltage or current may result in rupture, electrical arcing or flame.

**MATERIALS INFORMATION:**

**ROHS Compliant**  
Directive 2000/53/EC  
Compliant

**ELV Compliant**  
Directive 2002/95/EC  
Compliant

**Pb-Free**



Expertise Applied | Answers Delivered

**PolySwitch®**  
**PTC Devices**  
**Overcurrent Protection Device**

**PRODUCT: VLP220F**

DOCUMENT: SCD25620  
PCN: RF0515  
REV LETTER: E  
REV DATE: JULY 26, 2016  
PAGE NO.: 2 OF 2

Information furnished is believed to be accurate and reliable. However, users should independently evaluate the suitability of and test each product selected for their own applications. Littelfuse products are not designed for, and shall not be used for, any purpose (including, without limitation, military, aerospace, medical, lifesaving, life-sustaining or nuclear facility applications, devices intended for surgical implant into the body, or any other application in which the failure or lack of desired operation of the product may result in personal injury, death, or property damage) other than those expressly set forth in applicable Littelfuse product documentation. Warranties granted by Littelfuse shall be deemed void for products used for any purpose not expressly set forth in applicable Littelfuse documentation. Littelfuse shall not be liable for any claims or damages arising out of products used in applications not expressly intended by Littelfuse as set forth in applicable Littelfuse documentation. The sale and use of Littelfuse products is subject to Littelfuse Terms and Conditions of Sale, unless otherwise agreed by Littelfuse.