

## Water Cooled Heatsink Type XW127EA25#

### Characteristics – Double side cooling, 2 coolers + 1 Semiconductor

	PARAMETER	TYP.	TEST CONDITIONS	UNITS
R <sub>th (C/W)</sub>	Cooler-input water thermal resistance	6.0	6l/m flow rate, Power – 2.5kW	K/kW
R <sub>th (C/W)</sub>	Cooler-input water thermal resistance	4.6	10l/m flow rate, Power – 2.5kW	K/kW


### Characteristics – Double side cooling, 3 coolers + 2 Semiconductors

	PARAMETER	TYP.	TEST CONDITIONS	UNITS
R <sub>th (C/W)</sub>	Cooler-input water thermal resistance	7.5	6l/m flow rate, Power – 2.5kW	K/kW
R <sub>th (C/W)</sub>	Cooler-input water thermal resistance	5.3	10l/m flow rate, Power – 2.5kW	K/kW

### Physical/Electrical properties

	PARAMETER	MIN.	TYP.	MAX.	TEST CONDITIONS	UNITS
ΔP	Pressure difference between input and output water per cooler	-	72	-	6l/m	kPa
ΔP	Pressure difference between input and output water per cooler	-	170	-	10l/m	kPa
M	Mass without busbar (XW127EA25A)	-	484	-		g
M	Mass with busbar (XW127EA25B)	-	644	-		g
	Dimensions	See outline drawing				

### Mechanical properties

	PARAMETER	MIN.	TYP.	MAX.	UNITS
	Flatness of contact area	-	20	-	μm
Ra	Roughness of contact area	-	0.8	-	μm
	Clamping force	-	-	13	N/mm <sup>2</sup>
	Finish of contact area	Nickel-plating 10μm bright			
	Hydraulic fitting	1/4" BSPP			

\* For other busbar/mechanical configurations please consult the factory.

## Notes

The graphs on the following pages are typical values at 2500W.

### 1.0 - Temperature reference points

Heatsink – in the cooler within 2mm of device centre

Ambient – water temperature at the assembly input.

### 2.0 - Multiple cooler stacks

#### 2.1 - 2 coolers/1 semiconductor

The temperature of the water entering the last cooler pair should be taken into account. The temperature rise of cooling water along the stack with respect to the ambient input water is  $(\Delta T)W$  according to the formula shown below: -

$$(\Delta T)W = \frac{14.4 * P(n - 1)}{F}$$

Where P is the power (in kW) dissipated in the semiconductor

n is the number of semiconductors

F is the water flow in Litres/min.

The rise in temperature of the last cooler pair with respect to the ambient input water is then: -

$$(\Delta T)C = (\Delta T)W + P * R_{thCW}$$

Where  $R_{thCW}$  is obtained from the curve for double side cooling on page 3

#### 2.2 - (n + 1) coolers/n semiconductors (n greater than 2)

In any series stack of coolers with n greater than two, the hottest cooler will usually be the penultimate one in the down stream direction.

The inlet water temperature rise to the last but one cooler (relative to stack inlet) may be calculated according to:

$$(\Delta T)W = \frac{14.4 * P(2n - 3)}{2F}$$

The effective temperature rise of the penultimate cooler with respect to the stack input water is given by:

$$(\Delta T)C = (\Delta T)W + P * R_{thCW}$$

Where  $R_{thCW}$  is obtained from the curve for 3 coolers on page 3

**Curves**

Figure 1 – Steady state thermal resistance vs Water flow

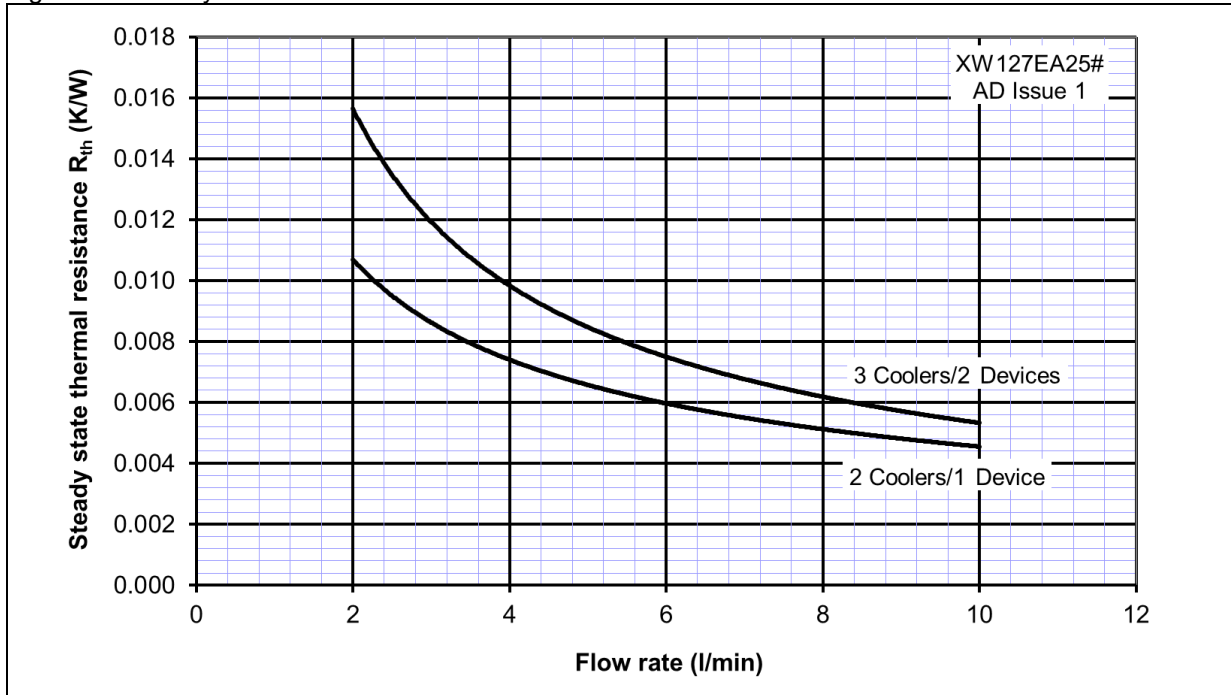


Figure 2 – Transient thermal impedance vs Time

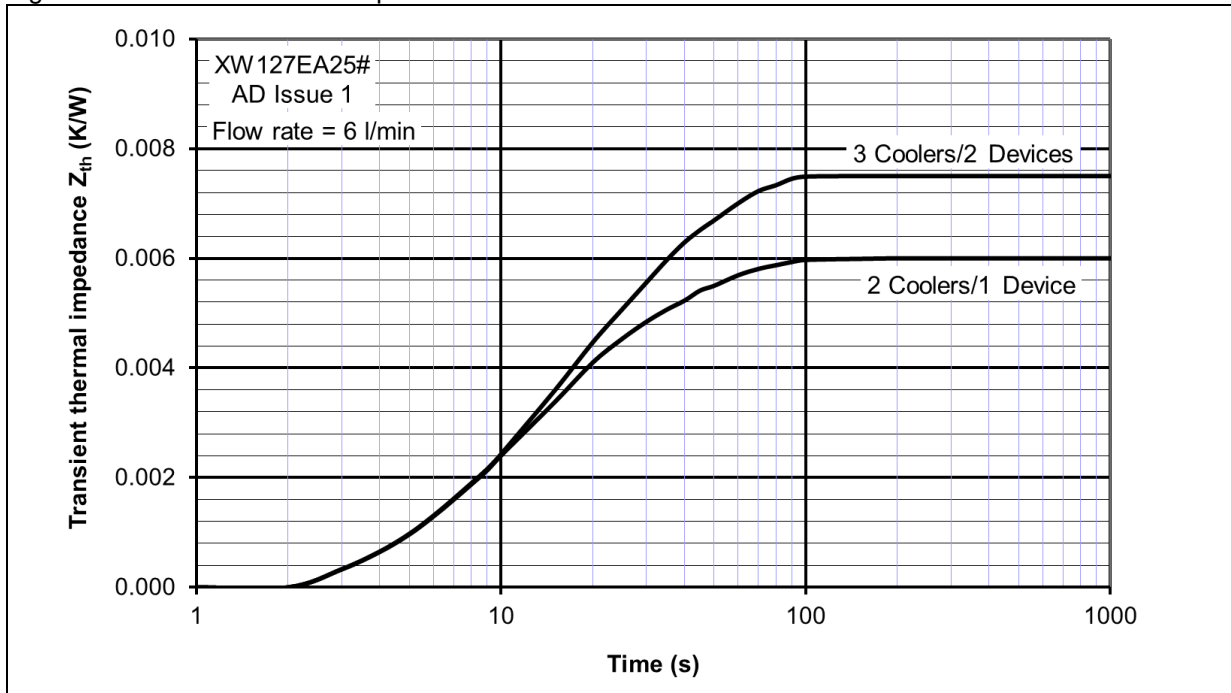
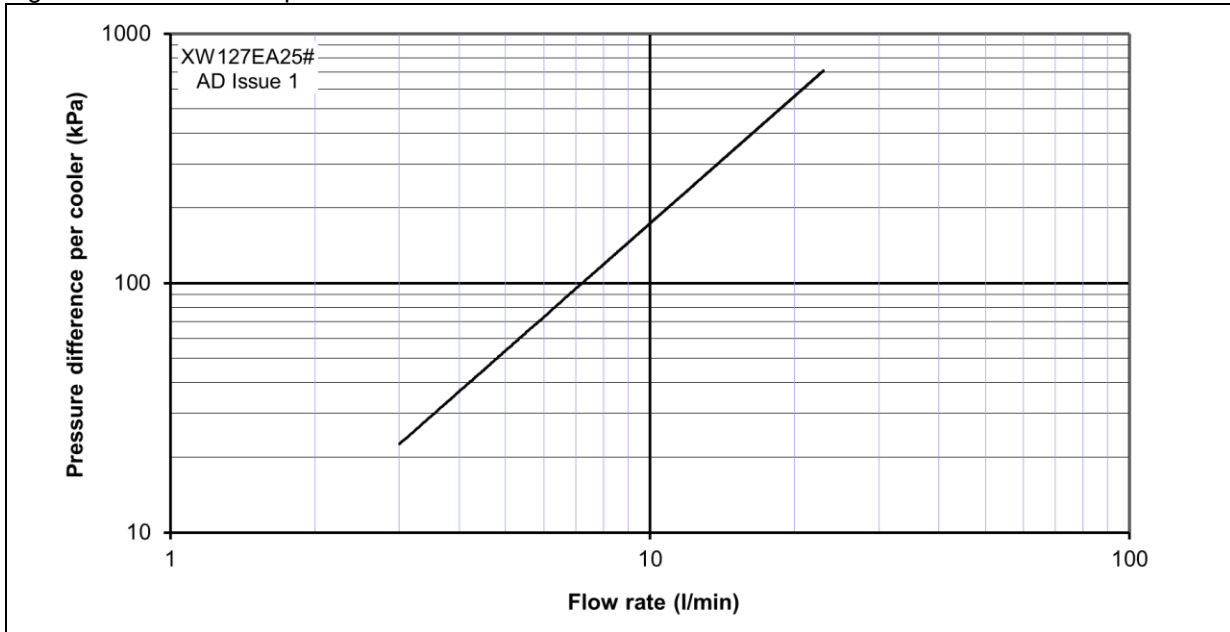
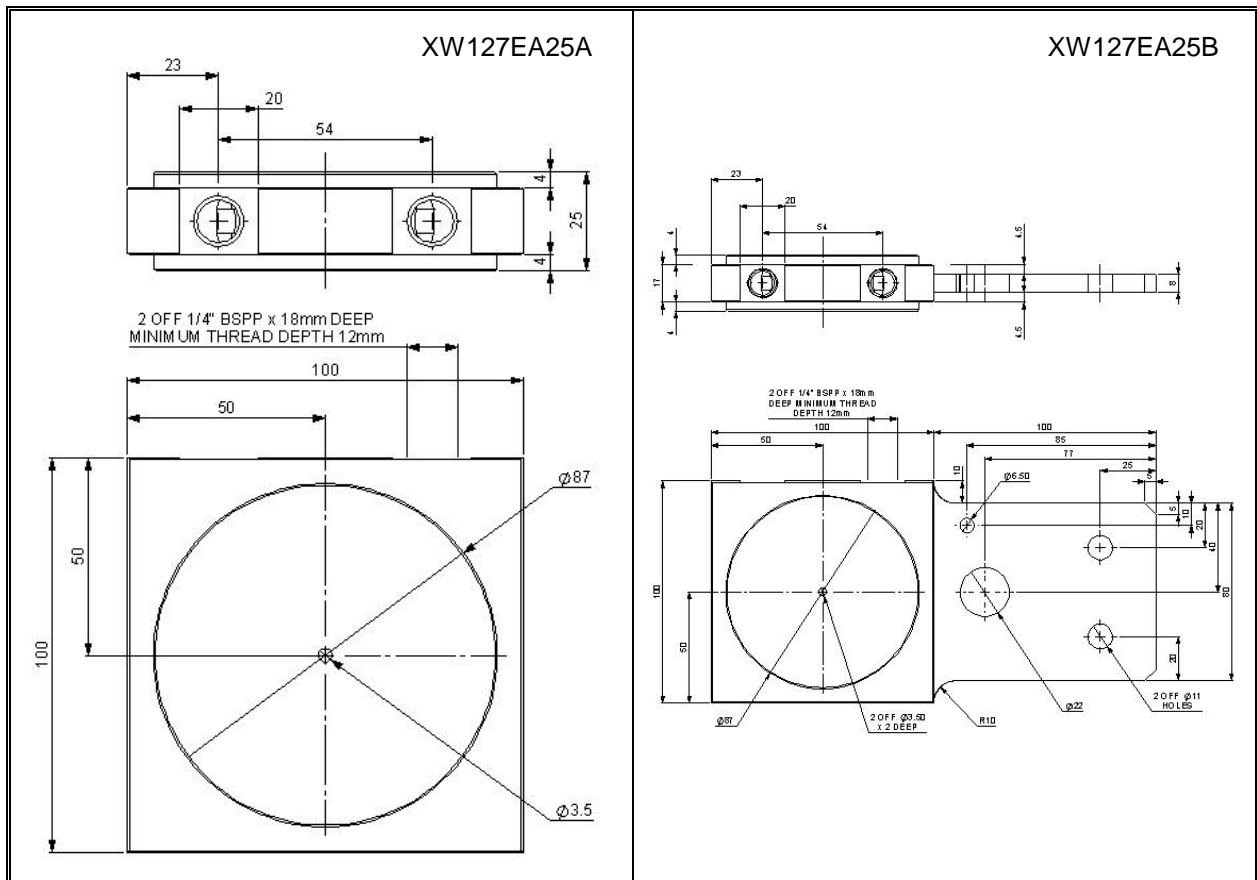


Figure 3 – Pressure drop vs Water flow



**Outline Drawing & Ordering Information**



**ORDERING INFORMATION**

(Please quote order code as below)

<b>XW</b>	<b>127</b>	<b>E</b>	<b>A</b>	<b>25</b>	<b>#</b>
Water cooler	Maximum flange diameter (mm)	Nominal poleface diameter	Material A = Aluminium	Cooler thickness (mm)	A = No busbar B = Busbar

Typical order code: XW127EA25A – Assemblies water cooler, 127mm maximum flange diameter, made from aluminium, 25mm thick with no busbar.

**IXYS Semiconductor GmbH**  
Edisonstraße 15  
D-68623 Lampertheim  
Tel: +49 6206 503-0  
Fax: +49 6206 503-627  
E-mail: [marcom@ixys.de](mailto:marcom@ixys.de)



**IXYS UK Westcode Ltd**  
Langley Park Way, Langley Park,  
Chippenham, Wiltshire, SN15 1GE.  
Tel: +44 (0)1249 444524  
Fax: +44 (0)1249 659448  
E-mail: [sales@ixysuk.com](mailto:sales@ixysuk.com)

**IXYS Corporation**  
1590 Buckeye Drive  
Milpitas CA 95035-7418  
Tel: +1 (408) 457 9000  
Fax: +1 (408) 496 0670  
E-mail: [sales@ixys.net](mailto:sales@ixys.net)

<http://www.ixysuk.com>

[www.ixys.net](http://www.ixys.net)

**IXYS Long Beach**  
IXYS Long Beach, Inc  
2500 Mira Mar Ave, Long Beach  
CA 90815  
Tel: +1 (562) 296 6584  
Fax: +1 (562) 296 6585  
E-mail: [service@ixyslongbeach.com](mailto:service@ixyslongbeach.com)

The information contained herein is confidential and is protected by Copyright. The information may not be used or disclosed except with the written permission of and in the manner permitted by the proprietors IXYS UK Westcode Ltd.

© IXYS UK Westcode Ltd.

In the interest of product improvement, IXYS UK Westcode Ltd reserves the right to change specifications at any time without prior notice.



---

Disclaimer Notice - Information furnished is believed to be accurate and reliable. However, users should independently evaluate the suitability of and test each product selected for their own applications. Littelfuse products are not designed for, and may not be used in, all applications. Read complete Disclaimer Notice at [www.littelfuse.com/disclaimer-electronics](http://www.littelfuse.com/disclaimer-electronics).