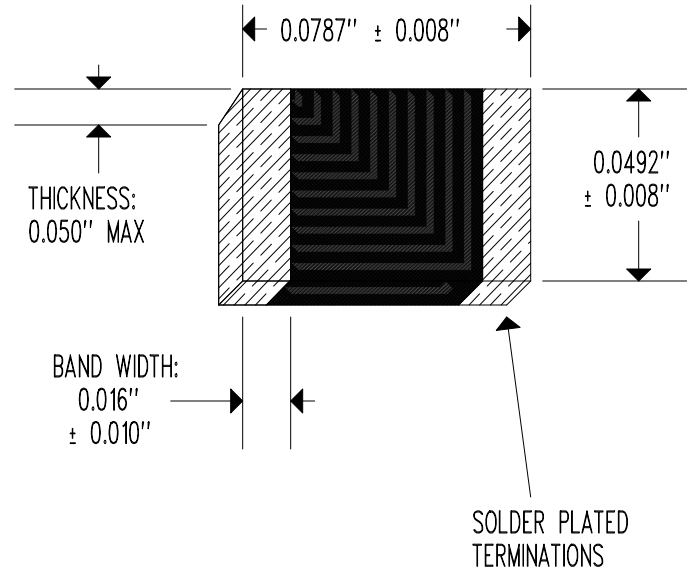


RESISTANCE/TEMPERATURE TABLE			
TEMP (°C)	RESIS (Ω)	TEMP (°C)	RESIS (Ω)
-40	17,848	45	507.4
-35	13,643	50	433.4
-30	10,528	55	371.8
-25	8,197	60	320.4
-20	6,437	65	277.1
-15	5,095	70	240.7
-10	4,063	75	209.8
-5	3,264	80	183.5
0	2,640	85	161.0
5	2,149	90	141.8
10	1,760	95	125.3
15	1,450	100	111.1
20	1,201	105	98.74
25	1,000	110	88.02
30	837.5	115	78.68
35	705.1	120	70.52
40	596.7	125	63.36



RESISTANCE @ +25°C = 1,000 Ω \pm 5%
 BETA " β " (+25 TO +85°C) = 3,250°K NOMINAL
 POWER RATING = 240 mW
 OPERATING TEMPERATURE RANGE = -40 TO +125°C

SEE MANUFACTURING SPECIFICATION (LAYER 1)

"A"	POWER RATING WAS 300 mW	09/27/17	MW
NONE	RELEASE TO PRODUCTION	02/26/04	DD
REV	REVISION RECORD	DATE	APP

SCALE NONE	U.S. SENSOR CORP. © COPYRIGHT 714-639-1000 www.ussensor.com NTC CHIP THERMISTOR P/N KR102DOJ
DRAWN BY DAN DANKERT	
DATE 02/26/04	
REV. "A"	
LAYER 0 OF 2	