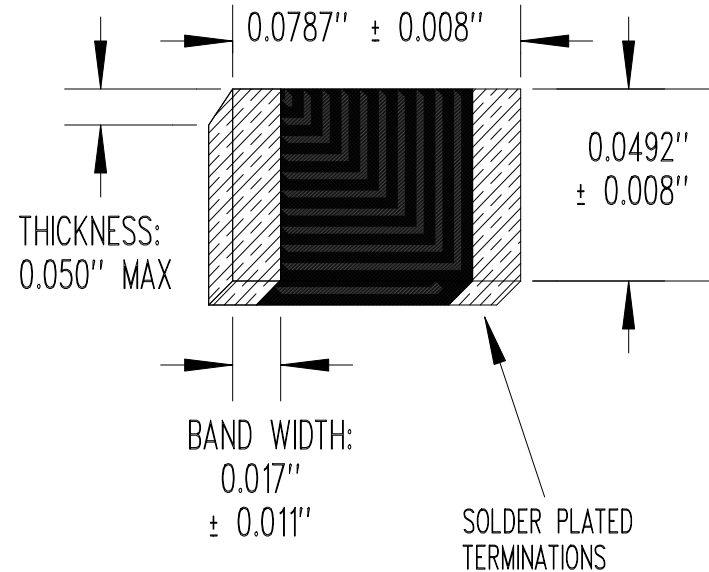


RESISTANCE/TEMPERATURE TABLE			
TEMP (°C)	RESIS (Ω)	TEMP (°C)	RESIS (Ω)
-40	212,494	45	4,892
-35	159,470	50	4,142
-30	120,944	55	3,523
-25	92,639	60	3,010
-20	71,626	65	2,581
-15	55,871	70	2,223
-10	43,947	75	1,922
-5	34,842	80	1,667
0	27,831	85	1,451
5	22,390	90	1,268
10	18,134	95	1,111
15	14,782	100	976.3
20	12,123	105	860.7
25	10,000	110	760.9
30	8,298	115	674.5
35	6,923	120	599.6
40	5,805	125	534.3



RESISTANCE @ +25°C = 10,000 Ω ± 5%
 BETA "β" (+25 TO +85°C) = 3,435°K NOMINAL
 POWER RATING = 240 mW
 OPERATING TEMPERATURE RANGE = -40 TO +125°C

SEE MANUFACTURING SPECIFICATION (LAYER 1)

"A"	POWER RATING WAS 300 mW; BAND WIDTH WAS 0.016" ± 0.010"	09/26/17	MW
NONE	RELEASE TO PRODUCTION	01/16/04	DD
REV	REVISION RECORD	DATE	APP

SCALE NONE	U.S. SENSOR CORP. 1832 W. COLLINS AVE. ORANGE, CA. 92867 714-639-1000 www.ussensor.com
DRAWN BY DAN DANKERT	
DATE 01/16/04	
REV. "A"	
LAYER 0 OF 2	
THERMISTOR, NTC CHIP	
P/N KR103E0J	