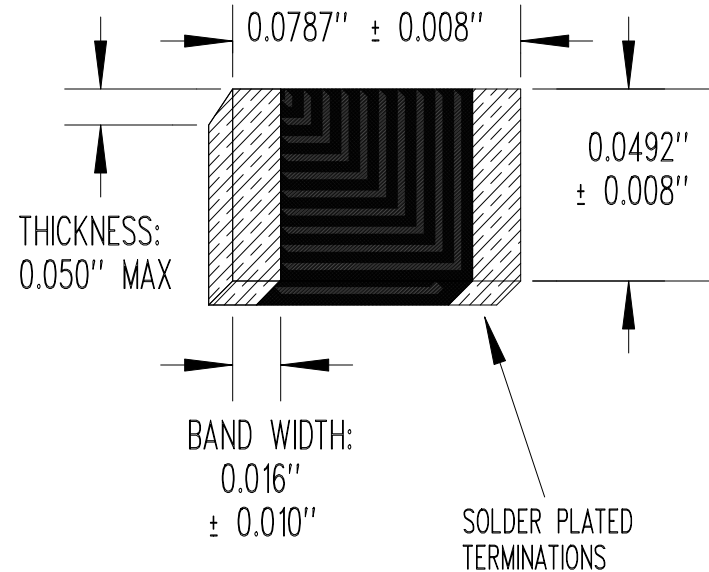


RESISTANCE/TEMPERATURE TABLE			
TEMP (°C)	RESIS (Ω)	TEMP (°C)	RESIS (Ω)
-40	1,027,194	45	13,051
-35	738,062	50	10,752
-30	536,659	55	8,905
-25	394,612	60	7,412
-20	293,248	65	6,199
-15	220,110	70	5,208
-10	166,781	75	4,395
-5	127,509	80	3,725
0	98,315	85	3,170
5	76,418	90	2,709
10	59,854	95	2,324
15	47,222	100	2,001
20	37,515	105	1,729
25	30,000	110	1,500
30	24,142	115	1,305
35	19,551	120	1,139
40	15,928	125	996.7



RESISTANCE @ +25°C = 30,000 Ω ± 5%  
 BETA "β" (+25 TO +85°C) = 4,000°K NOMINAL  
 POWER RATING = 240 mW  
 OPERATING TEMPERATURE RANGE = -40 TO +125°C

SEE MANUFACTURING SPECIFICATION (LAYER 1)

A	POWER RATING WAS 300 mW	09/14/17	MW
NONE	RELEASE TO PRODUCTION	02/26/04	DD
REV	REVISION RECORD	DATE	APP

SCALE	NONE	<b>U.S. SENSOR CORP.</b> 1832 W. COLL INS AVE. ORANGE, CA. 92867 714-639-1000 www.ussensor.com
DRAWN BY	DAN DANKERT	
DATE	02/26/04	
REV.	A	
LAYER	0 OF 2	THERMISTOR, NTC CHIP P/N KR303K0J