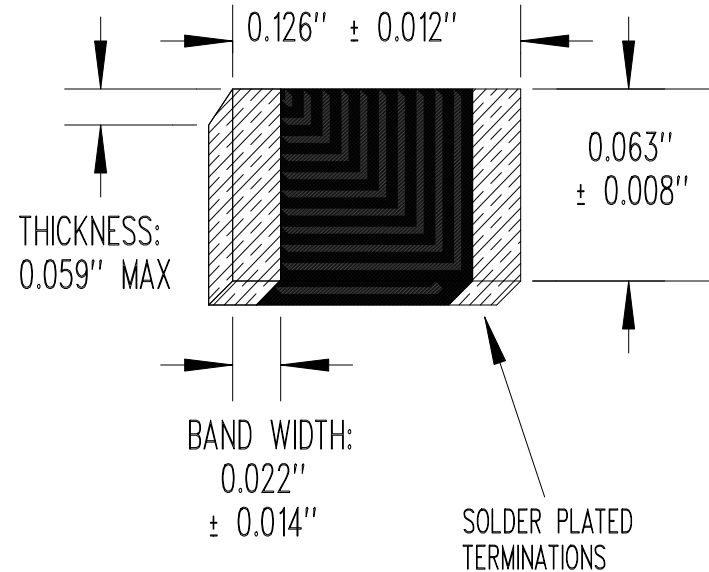


| RESISTANCE/TEMPERATURE TABLE | | | |
|------------------------------|--------------|--------------|--------------|
| TEMP (°C) | RESIS (Ω) | TEMP (°C) | RESIS (Ω) |
| -40 | 7,555,901 | 45 | 83,102 |
| -35 | 5,415,994 | 50 | 67,671 |
| -30 | 3,924,103 | 55 | 55,390 |
| -25 | 2,872,210 | 60 | 45,564 |
| -20 | 2,122,601 | 65 | 37,660 |
| -15 | 1,582,986 | 70 | 31,269 |
| -10 | 1,190,799 | 75 | 26,076 |
| -5 | 903,155 | 80 | 21,838 |
| 0 | 690,356 | 85 | 18,362 |
| 5 | 531,625 | 90 | 15,505 |
| 10 | 412,293 | 95 | 13,143 |
| 15 | 321,908 | 100 | 11,182 |
| 20 | 252,958 | 105 | 9,547 |
| 25 | 200,000 | 110 | 8,179 |
| 30 | 159,135 | 115 | 7,030 |
| 35 | 127,405 | 120 | 6,061 |
| 40 | 102,606 | 125 | 5,242 |



RESISTANCE @ +25°C = 200,000 Ω ± 5%
 BETA "β" (+25 TO +85°C) = 4,250°K NOMINAL
 POWER RATING = 320 mW
 OPERATING TEMPERATURE RANGE = -40 TO +125°C

SEE MANUFACTURING SPECIFICATION (LAYER 1)

| | | | |
|------|------------------------------------------------------------------------|----------|-----|
| "A" | THICKNESS WAS 0.050", POWER RATING WAS 400 mW, LENG. TOL. WAS ± 0.008" | 11/07/17 | MW |
| NONE | RELEASE TO PRODUCTION | 09/29/04 | DD |
| REV | REVISION RECORD | DATE | APP |

| | |
|----------------------|--------------------------------------------------------------------------------------------------------------------------------------------------------------|
| SCALE NONE | U.S. SENSOR CORP. 1832 W. COLLINS AVE. ORANGE, CA. 92867 714-639-1000 www.ussensor.com THERMISTOR, NTC CHIP P/N LR204ROJ |
| DRAWN BY DAN DANKERT | |
| DATE 09/29/04 | |
| REV. "A" | |
| LAYER 0 OF 2 | |