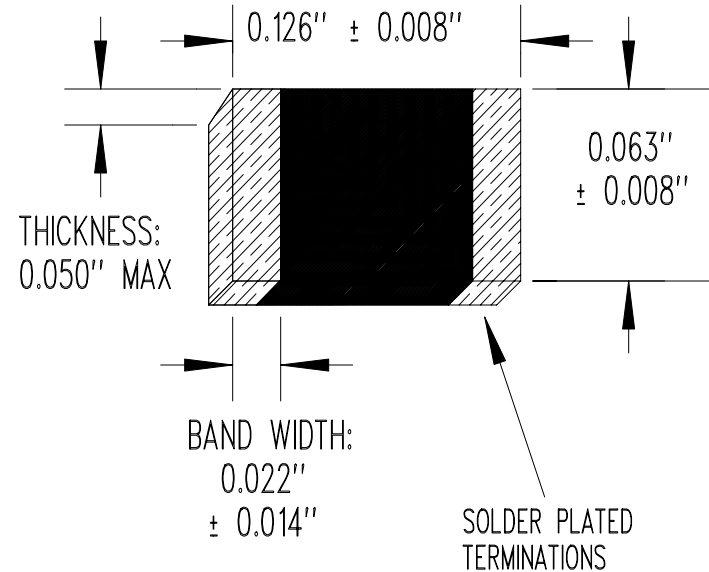


| RESISTANCE/TEMPERATURE TABLE | | | |
|------------------------------|--------------|--------------|--------------|
| TEMP (°C) | RESIS (Ω) | TEMP (°C) | RESIS (Ω) |
| -40 | 133,767 | 45 | 1,038 |
| -35 | 90,996 | 50 | 849.9 |
| -30 | 62,912 | 55 | 700.4 |
| -25 | 44,162 | 60 | 581.0 |
| -20 | 31,447 | 65 | 485.1 |
| -15 | 22,696 | 70 | 407.5 |
| -10 | 16,590 | 75 | 344.2 |
| -5 | 12,272 | 80 | 292.4 |
| 0 | 9,182 | 85 | 249.7 |
| 5 | 6,944 | 90 | 214.3 |
| 10 | 5,304 | 95 | 184.8 |
| 15 | 4,091 | 100 | 160.1 |
| 20 | 3,184 | 105 | 139.3 |
| 25 | 2,500 | 110 | 121.7 |
| 30 | 1,982 | 115 | 106.8 |
| 35 | 1,585 | 120 | 94.04 |
| 40 | 1,278 | 125 | 83.14 |



RESISTANCE @ +25°C = 2,500 Ω ± 5%
 BETA "β" (+25 TO +85°C) = 4,100°K NOMINAL
 POWER RATING = 400 mW/°C
 OPERATING TEMPERATURE RANGE = -40 TO +125°C

SEE MANUFACTURING SPECIFICATION (LAYER 1)

| | | | |
|------|-----------------------|----------|-----|
| NONE | RELEASE TO PRODUCTION | 10/05/06 | DD |
| REV | REVISION RECORD | DATE | APP |

| | | |
|----------|-------------|--|
| SCALE | NONE | U.S. SENSOR CORP. 1832 W. COLLINS AVE. ORANGE, CA. 92867 714-639-1000 www.ussensor.com |
| DRAWN BY | DAN DANKERT | |
| DATE | 10/05/06 | |
| REV. | NONE | |
| LAYER | 0 OF 2 | |
| | | NTC CHIP THERMISTOR |
| | | P/N LR252LOJ |