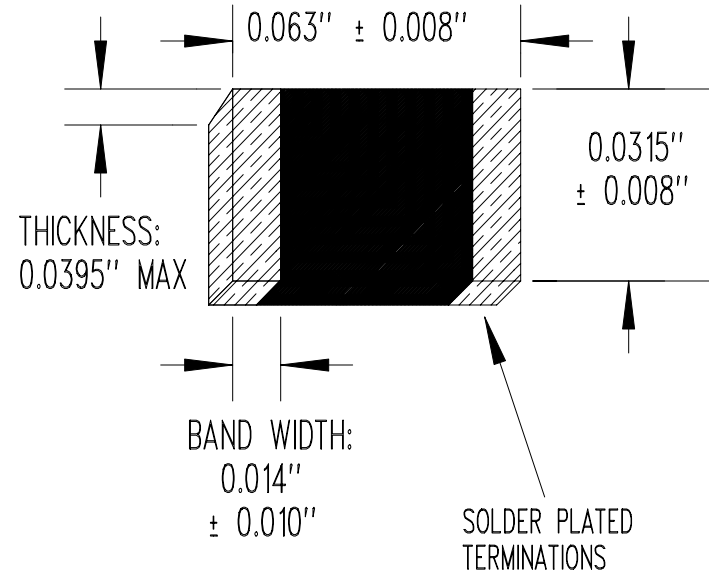


RESISTANCE/TEMPERATURE TABLE			
TEMP (°C)	RESIS (Ω)	TEMP (°C)	RESIS (Ω)
-40	212,494	45	4,892
-35	159,470	50	4,142
-30	120,944	55	3,523
-25	92,639	60	3,010
-20	71,626	65	2,581
-15	55,871	70	2,223
-10	43,947	75	1,922
-5	34,842	80	1,667
0	27,831	85	1,451
5	22,390	90	1,268
10	18,134	95	1,111
15	14,782	100	976.3
20	12,123	105	860.7
25	10,000	110	760.9
30	8,298	115	674.5
35	6,923	120	599.6
40	5,805	125	534.3



RESISTANCE @ +25°C = 10,000 Ω ± 5%
 BETA "β" (+25 TO +85°C) = 3,435°K NOMINAL
 POWER RATING = 150 mW
 OPERATING TEMPERATURE RANGE = -40 TO +125°C

SEE MANUFACTURING SPECIFICATION (LAYER 1)

NONE	RELEASE TO PRODUCTION	12/11/03	DD
REV	REVISION RECORD	DATE	APP

SCALE	NONE	U.S. SENSOR CORP. 1832 W. COLLINS AVE. ORANGE, CA 92867 714-639-1000 www.ussensor.com
DRAWN BY	DAN DANKERT	
DATE	12/11/03	
REV	NONE	
LAYER	0 OF 2	
		THERMISTOR, NTC CHIP
		P/N RB103E0J