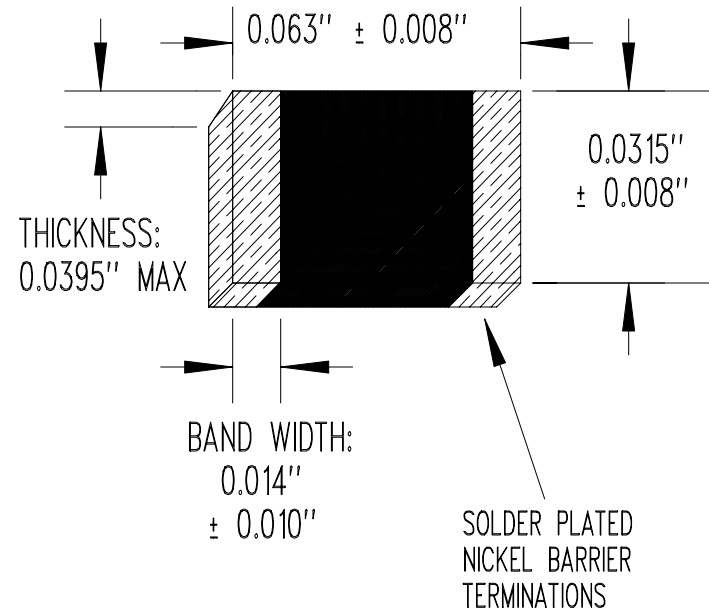


RESISTANCE/TEMPERATURE TABLE			
TEMP (°C)	RESIS (Ω)	TEMP (°C)	RESIS (Ω)
-40	220,820	45	4,642
-35	164,674	50	3,875
-30	124,193	55	3,247
-25	94,660	60	2,732
-20	72,873	65	2,308
-15	56,631	70	1,956
-10	44,402	75	1,664
-5	35,108	80	1,420
0	27,980	85	1,216
5	22,469	90	1,047
10	18,172	95	904.9
15	14,797	100	784.7
20	12,127	105	682.8
25	10,000	110	595.9
30	8,196	115	521.7
35	6,750	120	458.1
40	5,585	125	403.4



RESISTANCE @ +25°C = 10,000 Ω ± 5%
 BETA "β" (0 TO +50°C) = 3,712°K NOMINAL
 BETA "β" (+25 TO +85°C) = 3,750°K NOMINAL
 POWER RATING = 150 mW
 OPERATING TEMPERATURE RANGE = -40 TO +125°C

SEE MANUFACTURING SPECIFICATION (LAYER 1)

"B"	ADDED RESISTANCE VERSUS TEMPERATURE CHART	12/11/03	DD
"A"	BANDWIDTH DIMENSION WAS 0.005" MINIMUM	11/14/03	DD
NONE	RELEASE TO PRODUCTION	09/15/03	DD
REV	REVISION RECORD	DATE	APP

SCALE NONE	U.S. SENSOR CORP. 1832 W. COLLINS AVE. ORANGE, CA 92867 714-639-1000 www.ussensor.com THERMISTOR, NTC CHIP P/N RB103G0J
DRAWN BY DAN DANKERT	
DATE 09/15/03	
REV. "B"	
LAYER 0 OF 2	