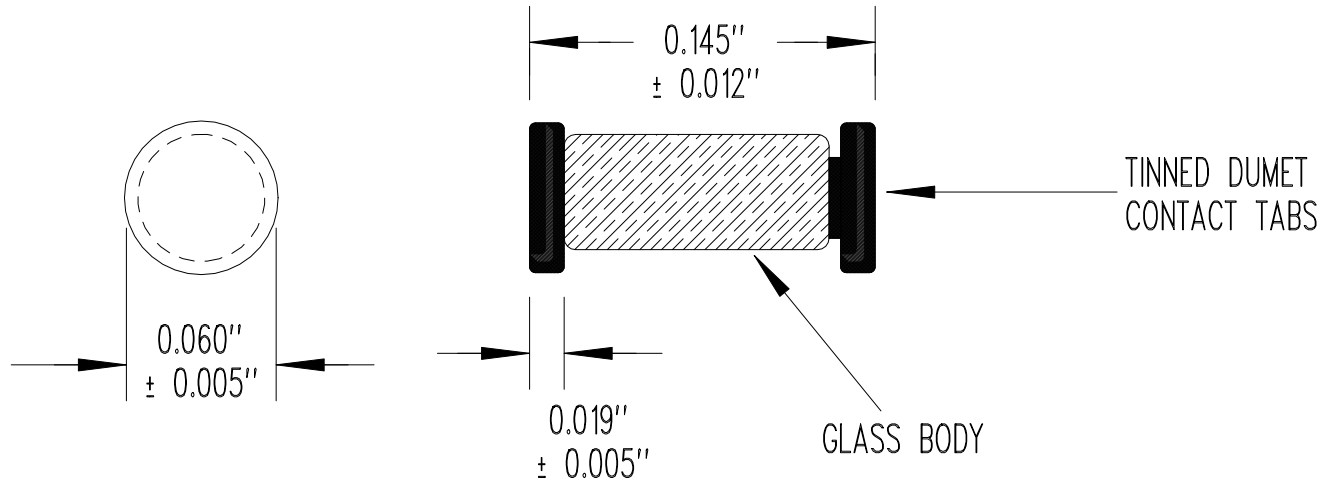


REV	REVISION RECORD	DATE	APP
NONE	RELEASE TO PRODUCTION	03/21/03	DD



RESISTANCE @ +25°C = 2,500 ± 10%  
 RESISTANCE/TEMPERATURE CURVE = "B"  
 BETA "β" (0 TO +50°C) = 2,941°K NOMINAL  
 TEMPERATURE COEFFICIENT @ +25°C = -3.31%/°C NOMINAL  
 DISSIPATION CONSTANT = 2 mW/°C NOMINAL  
 THERMAL TIME CONSTANT = 8 SECONDS MAXIMUM  
 MAXIMUM TEMPERATURE RATING = +220°C

SCALE NONE	U.S. SENSOR CORP. 1832 W. COLL INS AVE. ORANGE, CA . 92867
DRAWN BY DAN DANKERT	
DATE 03/21/03	NTC THERMISTOR
REV. NONE	P/N SM252B1K
LAYER 0 OF 1	