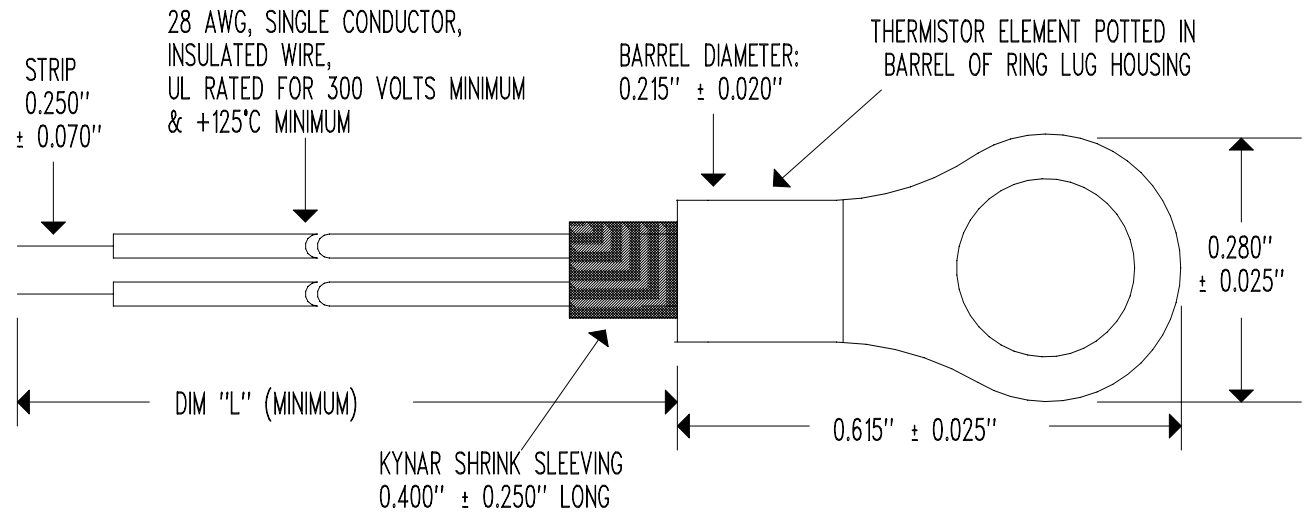


U.S. SENSOR P/N	R @ +25°C (Ω)	R TOLERANCE @ +25°C (%)
USUR1000-102G-xx	1,000	± 2
USUR1000-102H-xx	1,000	± 3
USUR1000-102J-xx	1,000	± 5
USUR1000-102K-xx	1,000	± 10
USUR1000-222G-xx	2,252	± 2
USUR1000-222H-xx	2,252	± 3
USUR1000-222J-xx	2,252	± 5
USUR1000-222K-xx	2,252	± 10
USUR1000-302G-xx	3,000	± 2
USUR1000-302H-xx	3,000	± 3
USUR1000-302J-xx	3,000	± 5
USUR1000-302K-xx	3,000	± 10
USUR1000-502G-xx	5,000	± 2
USUR1000-502H-xx	5,000	± 3
USUR1000-502J-xx	5,000	± 5
USUR1000-502K-xx	5,000	± 10
USUR1000-103G-xx	10,000	± 2
USUR1000-103H-xx	10,000	± 3
USUR1000-103J-xx	10,000	± 5
USUR1000-103K-xx	10,000	± 10
USUR1000-203G-xx	20,000	± 2
USUR1000-203H-xx	20,000	± 3
USUR1000-203J-xx	20,000	± 5
USUR1000-203K-xx	20,000	± 10
USUR1000-303G-xx	30,000	± 2
USUR1000-303H-xx	30,000	± 3
USUR1000-303J-xx	30,000	± 5
USUR1000-303K-xx	30,000	± 10
USUR1000-503G-xx	50,000	± 2
USUR1000-503H-xx	50,000	± 3
USUR1000-503J-xx	50,000	± 5
USUR1000-503K-xx	50,000	± 10
USUR1000-104G-xx	100,000	± 2
USUR1000-104H-xx	100,000	± 3
USUR1000-104J-xx	100,000	± 5
USUR1000-104K-xx	100,000	± 10



RESISTANCE @ +25°C = SEE CHART  
 RESISTANCE TOLERANCE @ +25°C = SEE CHART  
 RESISTANCE/TEMPERATURE CURVE = "J"  
 TEMPERATURE RATING = -40 TO +125°C  
 MAXIMUM POWER RATING = 20 mW  
 RING TONGUE MOUNTING-HOLE DIAMETER = 0.145" NOMINAL  
 RING TONGUE MOUNTING-HOLE STUD-SIZE = #6  
 SEE MANUFACTURING SPECIFICATION (LAYER 1)

UL FILE NUMBER E232830 (UL CATEGORY XGPU2)

DIM "L" IS THE MINIMUM LEAD WIRE LENGTH, AND IS SPECIFIED BY THE LAST TWO DIGITS OF THE PART NUMBER (USUR1000-xxxx-xx).

e.g. USUR1000-102G-03 WOULD HAVE A MINIMUM LEAD WIRE LENGTH OF 3".

REV	REVISION RECORD	DATE	APP
"D"	WIRE WAS 3"±0.75",+ DIM "L" DESIGNATION	08/30/06	DD
"C"	LEAD WIRE WAS KYNAR INSULATED	04/28/03	DD
"B"	WAS TEFLON INSULATED WIRE (CLERICAL ERROR)	03/10/03	DD
--	ISO RELEASE	03/10/03	DD
"A"	MINIMUM TEMPERATURE RATING WAS -55°C	09/30/02	DD

SCALE NONE	U.S. SENSOR CORP. © COPYRIGHT 714-639-1000 www.ussensor.com
DRAWN BY DAN DANKERT	
DATE 08/12/02	THERMISTOR PROBE
REV. "D"	
LAYER 0 OF 2	P/N USUR1000-xxxx-xx