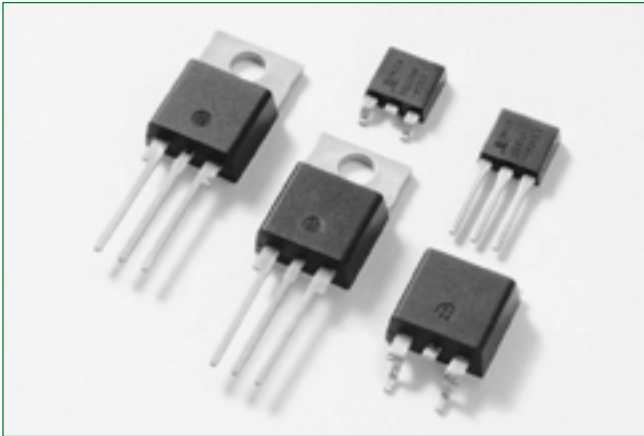


LJxx06xx & QJxx06xHx & QJxx06xx Series

6 A High Temp Sensitive, Standard, and Alternistor (High Communication) TRIACs

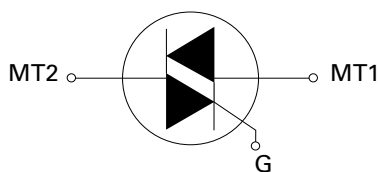
HF RoHS  *L Package UL recognized under E71639



Product Summary

| Symbol | Value | Unit |
|-------------------|------------|------|
| $I_{T(RMS)}$ | 6 | A |
| V_{DRM}/V_{RRM} | 400 to 800 | V |
| $I_{GT(Q1)}$ | 10 to 50 | mA |

Schematic Symbol



Description

This 6 A High Temperature Alternistor TRIAC solid state switch series is designed for AC switching and phase control applications such as motor speed and temperature modulation controls, lighting controls, and static switching relays.

Sensitive type components guarantee gate control in Quadrants I and IV as needed for digital control circuitry.

Alternistor type components only operate in quadrants I, II, and III and are used in circuits requiring high dv/dt capability.

Standard type devices normally operate in Quadrants I and III triggered from AC line.

Features

- 150°C maximum junction temperature
- Voltage capability up to 800 V
- Surge capability up to 80 A at 60 Hz half cycle
- Solid-state switching eliminates arcing or contact bounce that create voltage transients
- No contacts to wear out from reaction of switching events
- Restricted (or limited) RFI generation, depending on activation point of sine wave
- Requires only a short gate activation pulse in each half-cycle
- Recognized to UL 1557 as an Electrically Isolated Semiconductor Device
- Halogen-free and RoHS compliant

Applications

Excellent for AC switching and phase control applications such as heating, lighting, and motor speed controls.

Typical applications are AC solid-state switches, light dimmers, power tools, home/brown goods and white goods appliances.

Alternistor TRIACs (no snubber required) are used in applications with high inductive loads requiring the highest commutation performance.

Internally constructed isolated packages are offered for ease of heat sinking with highest isolation voltage.

LJxx06xx & QJxx06xHx & QJxx06xx Series

6 A High Temp Sensitive, Standard, and Alternistor (High Communication) TRIACs

Absolute Maximum Ratings – Sensitive TRIAC (4 Quadrants)

| Symbol | Parameter | | Value | Unit | |
|-------------------|---|-------------------|------------------------|------------|------------|
| V_{DSM}/V_{RSM} | Peak non-repetitive blocking voltage | $P_W = 100 \mu s$ | 700 | V | |
| $I_{T(RMS)}$ | RMS on-state current (full sine wave) | LJxx06Vy/LJxx06Dy | $T_C = 130^\circ C$ | 6 | A |
| I_{TSM} | Non repetitive surge peak on-state current (full cycle, T_{VJ} initial = $25^\circ C$) | f = 50 Hz | t = 20 ms | 60 | A |
| | | f = 60 Hz | t = 16.7 ms | 72 | |
| I^2t | I^2t Value for fusing | $t_p = 8.3$ ms | 21.5 | A^2s | |
| di/dt | Critical rate of rise of on-state current $I_G = 50$ mA with 0.1 μs rise time | f = 60 Hz | $T_{VJ} = 150^\circ C$ | 70 | A/ μs |
| I_{GTM} | Peak gate trigger current | $t_p = 20 \mu s$ | $T_{VJ} = 150^\circ C$ | 4 | A |
| $P_{G(AV)}$ | Average gate power dissipation | | $T_{VJ} = 150^\circ C$ | 0.4 | W |
| T_{stg} | Storage temperature range | | | -40 to 150 | $^\circ C$ |
| T_{VJ} | Operating junction temperature range | | | -40 to 150 | $^\circ C$ |

Note: xx=voltage/10, y = sensitivity

Absolute Maximum Ratings – Alternistor TRIAC (3 Quadrants)

| Symbol | Parameter | | Value | Unit | | |
|-------------------|---|---------------------|-------------------------------|-------------------------------|------------|---|
| V_{DSM}/V_{RSM} | Peak non-repetitive blocking voltage | $P_W = 100 \mu s$ | 600V | 700 | V | |
| | | | 800V | 1000 | V | |
| $I_{T(RMS)}$ | RMS on-state current (full sine wave) | QJxx06VHy/QJxx06DHy | $T_C = 130^\circ C$ | 6 | A | |
| | | QJxx06LHy | $T_C = 125^\circ C$ | | | |
| | | QJxx06RHx/QJxx06NHx | $T_C = 140^\circ C$ | | | |
| I_{TSM} | Non repetitive surge peak on-state current (full cycle, T_{VJ} initial = $25^\circ C$) | f = 50 Hz | t = 20 ms | QJxx06VHy/QJxx06DHy | 60 | A |
| | | | | QJxx06LHy/QJxx06RHx/QJxx06NHx | 65 | |
| | | f = 60 Hz | t = 16.7 ms | QJxx06VHy/QJxx06DHy | 72 | |
| | | | | QJxx06LHy/QJxx06RHx/QJxx06NHx | 80 | |
| I^2t | I^2t Value for fusing | $t_p = 8.3$ ms | QJxx06VHy/QJxx06DHy | 21.5 | A^2s | |
| | | | QJxx06LHy/QJxx06RHx/QJxx06NHx | 26.6 | | |
| di/dt | Critical rate of rise of on-state current | f = 60 Hz | $T_{VJ} = 150^\circ C$ | 70 | A/ μs | |
| I_{GTM} | Peak gate trigger current | $t_p = 20 \mu s$ | $T_{VJ} = 150^\circ C$ | 4 | A | |
| $P_{G(AV)}$ | Average gate power dissipation | | $T_{VJ} = 150^\circ C$ | 0.5 | W | |
| T_{stg} | Storage temperature range | | | -40 to 150 | $^\circ C$ | |
| T_{VJ} | Operating junction temperature range | | | -40 to 150 | $^\circ C$ | |

Note: xx=voltage/10, x = sensitivity

Absolute Maximum Ratings – Standart TRIAC (4 Quadrants)

| Symbol | Parameter | | Value | Unit | |
|-------------------|---|-------------------|------------------------|------------|------------|
| V_{DSM}/V_{RSM} | Peak non-repetitive blocking voltage | $P_W = 100 \mu s$ | 600 V | 700 | V |
| | | | 800 V | 1000 | |
| $I_{T(RMS)}$ | RMS on-state current (full sine wave) | QJxx06Ly | $T_C = 125^\circ C$ | 6 | A |
| | | QJxx06Ry/QJxx06Ny | $T_C = 140^\circ C$ | | |
| I_{TSM} | Non repetitive surge peak on-state current (full cycle, T_{VJ} initial = $25^\circ C$) | f = 50 Hz | t = 20 ms | 100 | A |
| | | f = 60 Hz | t = 16.7 ms | 120 | |
| I^2t | I^2t Value for fusing | $t_p = 8.3$ ms | 26.5 | A^2s | |
| di/dt | Critical rate of rise of on-state current | f = 60 Hz | $T_{VJ} = 150^\circ C$ | 70 | A/ μs |
| I_{GTM} | Peak gate trigger current | $t_p = 20 \mu s$ | $T_{VJ} = 150^\circ C$ | 4 | A |
| $P_{G(AV)}$ | Average gate power dissipation | | $T_{VJ} = 150^\circ C$ | 0.5 | W |
| T_{stg} | Storage temperature range | | | -40 to 150 | $^\circ C$ |
| T_{VJ} | Operating junction temperature range | | | -40 to 150 | $^\circ C$ |

Note: xx=voltage/10, y = sensitivity

LJxx06xx & QJxx06xHx & QJxx06xx Series

6 A High Temp Sensitive, Standard, and Alternistor (High Communication) TRIACs

Electrical Characteristics ($T_{VJ} = 25^{\circ}\text{C}$, unless otherwise specified) – Sensitive TRIAC (4 Quadrants)

| Symbol | Test Conditions | Quadrant | | Value | Unit |
|----------|--|--------------|------|----------|------------------|
| | | | | LJxx06x8 | |
| I_{GT} | $V_D = 12\text{ V}$ $R_L = 60\ \Omega$ | I – II – III | MAX. | 10 | mA |
| V_{GT} | | IV | | 20 | |
| V_{GD} | $V_D = V_{DRM}$ $R_L = 3.3\ \text{k}\Omega$ $T_{VJ} = 150^{\circ}\text{C}$ | ALL | MAX. | 1.2 | V |
| V_{GD} | | ALL | MIN. | 0.15 | V |
| I_H | $I_T = 100\ \text{mA}$ | | MAX. | 25 | mA |
| dv/dt | $V_D = V_{DRM}$ Gate Open $T_{VJ} = 150^{\circ}\text{C}$ | 400 V | TYP. | 80 | V/ μs |
| | | 600 V | | 50 | |
| (dv/dt)c | (di/dt)c = 3.2 A/ms $T_{VJ} = 150^{\circ}\text{C}$ | | TYP. | 2 | V/ μs |
| t_{gt} | $I_G = 2 \times I_{GT}$ $P_W = 15\ \mu\text{s}$ $I_T = 8.5\ \text{A(pk)}$ | | TYP. | 12 | μs |

Note: xx=voltage/10, x = package

Electrical Characteristics ($T_{VJ} = 25^{\circ}\text{C}$, unless otherwise specified) – Alternistor TRIAC (3 Quadrants)

| Symbol | Test Conditions | Quadrant | | Value | | | Unit | |
|----------|--|------------------------|------|-----------|-----------|-----------|------------------|------------------|
| | | | | QJxx06xH2 | QJxx06xH3 | QJxx06xH4 | | |
| I_{GT} | $V_D = 12\text{ V}$ $R_L = 60\ \Omega$ | I – II – III | MAX. | 10 | 20 | 35 | mA | |
| V_{GT} | | IV | | 1.3 | | | | |
| V_{GD} | $V_D = V_{DRM}$ $R_L = 3.3\ \text{k}\Omega$ $T_{VJ} = 150^{\circ}\text{C}$ | I – II – III | MIN. | 0.15 | | | V | |
| I_H | | $I_T = 100\ \text{mA}$ | | MAX. | 25 | 30 | 35 | mA |
| dv/dt | $V_D = V_{DRM}$ Gate Open $T_{VJ} = 150^{\circ}\text{C}$ | QJxx06xHy | MIN. | 400 V | 150 | 250 | 350 | V/ μs |
| | | | | 600 V | 100 | 200 | 250 | |
| | | | | 800 V | - | - | 450 | |
| (dv/dt)c | (di/dt)c = 3.2 A/ms $T_{VJ} = 150^{\circ}\text{C}$ | | MIN. | 15 | 18 | 20 | V/ μs | |
| t_{gt} | $I_G = 2 \times I_{GT}$ $P_W = 15\ \mu\text{s}$ $I_T = 8.5\ \text{A(pk)}$ | | TYP. | 10 | 10 | 10 | μs | |

Note: xx=voltage/10, x = package

Electrical Characteristics ($T_{VJ} = 25^{\circ}\text{C}$, unless otherwise specified) - Standard TRIAC

| Symbol | Test Conditions | Quadrant | | Value | Unit |
|----------|--|--------------|------|----------|------------------|
| | | | | QJxx06x5 | |
| I_{GT} | $V_D = 12\text{ V}$ $R_L = 60\ \Omega$ | I – II – III | MAX. | 50 | mA |
| V_{GT} | | IV | | TYP. | |
| V_{GD} | $V_D = V_{DRM}$ $R_L = 3.3\ \text{k}\Omega$ $T_{VJ} = 150^{\circ}\text{C}$ | ALL | MAX. | 1.3 | V |
| V_{GD} | | ALL | MIN. | 0.2 | V |
| I_H | Initial $I_T = 100\ \text{mA}$ | | MAX. | 50 | mA |
| dv/dt | $V_D = V_{DRM}$ Gate Open $T_{VJ} = 150^{\circ}\text{C}$ | 600 V | MIN. | 800 | V/ μs |
| | | 800 V | | 1000 | |
| (dv/dt)c | (di/dt)c = 3.2 A/ms $T_{VJ} = 150^{\circ}\text{C}$ | | MIN. | 4 | V/ μs |
| t_{gt} | $I_G = 2 \times I_{GT}$ $P_W = 15\ \mu\text{s}$ $I_T = 8.5\ \text{A(pk)}$ | | TYP. | 3 | μs |

Note: xx=voltage/10, x = package

LJxx06xx & QJxx06xHx & QJxx06xx Series

6 A High Temp Sensitive, Standard, and Alternistor (High Communication) TRIACs

Static Characteristics

| Symbol | Test Conditions | | | Value | Unit | |
|---------------------|------------------------------------|-----------|------------------------|-------------|--------|---------|
| V_{TM} | $I_{TM} = 8.4 A$ $t_p = 380 \mu s$ | | | MAX. | 1.40 V | |
| I_{DRM} / I_{RRM} | $V_{DRM} = V_{RRM}$ | LJxx06xy | $T_{VJ} = 25^\circ C$ | 400 - 600 V | 10 | μA |
| | | | $T_{VJ} = 125^\circ C$ | 400 - 600 V | 0.5 | mA |
| | | | $T_{VJ} = 150^\circ C$ | 400 - 600 V | 3 | |
| | | QJxx06xHy | $T_{VJ} = 25^\circ C$ | 400 - 800 V | 10 | μA |
| | | | $T_{VJ} = 125^\circ C$ | 400 - 800 V | 0.5 | mA |
| | | | $T_{VJ} = 150^\circ C$ | 400 - 800 V | 3 | |
| | | QJxx06x5 | $T_{VJ} = 25^\circ C$ | 600 - 800 V | 10 | μA |
| | | | $T_{VJ} = 125^\circ C$ | | 0.5 | mA |
| | | | $T_{VJ} = 150^\circ C$ | | 3 | |

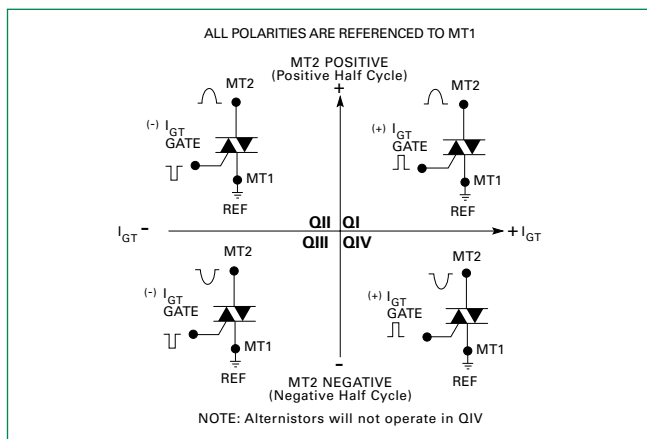
Note: xx=voltage/10, x = package, y = sensitivity

Thermal Resistances

| Symbol | Parameter | Value | Unit |
|--------------|-----------------------|------------------------------|------|
| $R_{th(JC)}$ | Junction to case (AC) | LJ/QJxx06Vyy LJ/QJxx06Dyy | 1.3 |
| | | QJxx06R5/QJxx06N5 | 0.9 |
| | | QJxx06L5 | 2.3 |
| $R_{th(JA)}$ | Junction to ambient | LJ/QJxx06Vyy LJ/QJxx06Dyy | 70 |
| | | QJxx06R5 | 45 |
| | | QJxx06L5 | 90 |

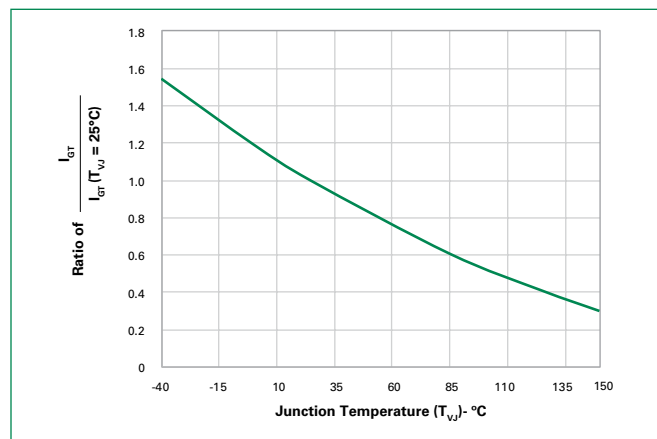
Note: xx=voltage/10, y = sensitivity

Figure 1:
Definition of Quadrants



Note: Alternistors will not operate in QIV

Figure 2:
Normalized DC Gate Trigger Current for All Quadrants vs. Junction Temperature



LJxx06xx & QJxx06xHx & QJxx06xx Series

6 A High Temp Sensitive, Standard, and Alternistor (High Communication) TRIACs

Figure 3:
Normalized DC Holding Current vs. Junction Temperature

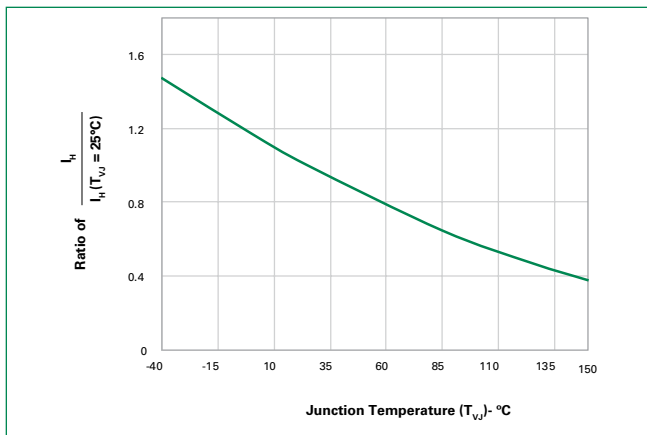


Figure 4:
Normalized DC Gate Trigger Voltage for All Quadrants vs. Junction Temperature

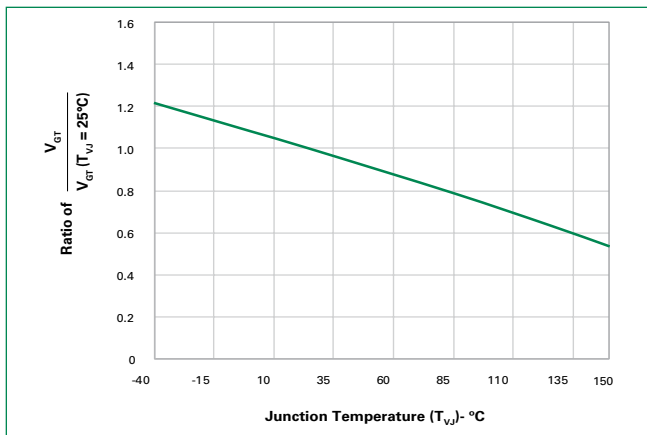


Figure 5:
Power Dissipation (Typical) vs. RMS On-State Current

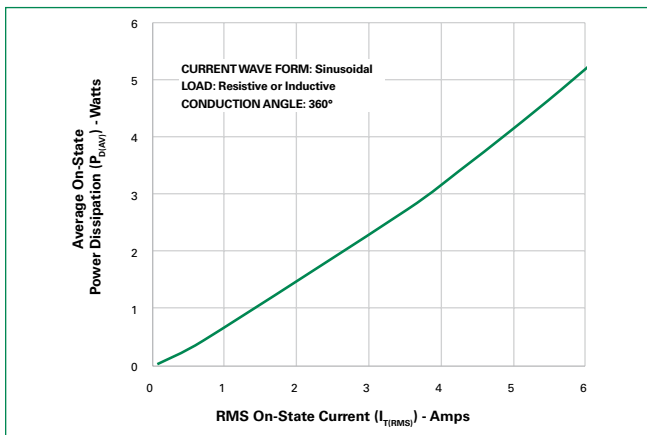


Figure 6:
Maximum Allowable Case Temperature vs. On-State Current

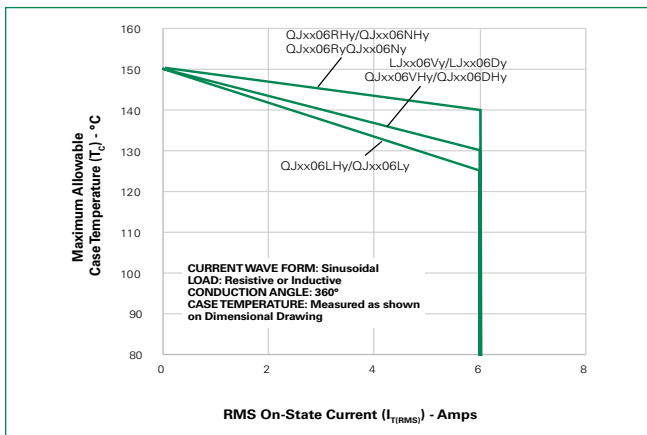
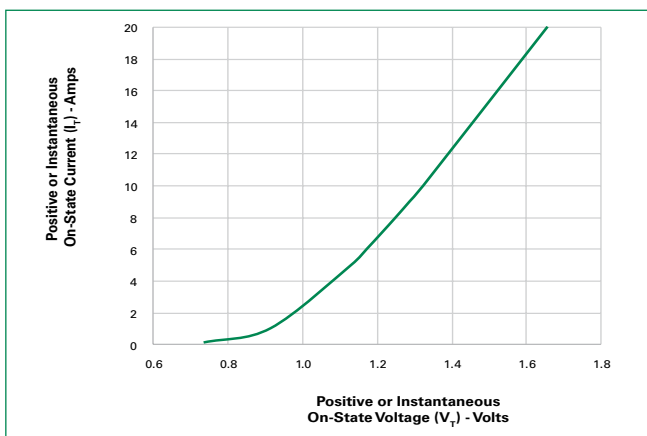


Figure 7:
On-State Current vs. On-State Voltage (Typical)

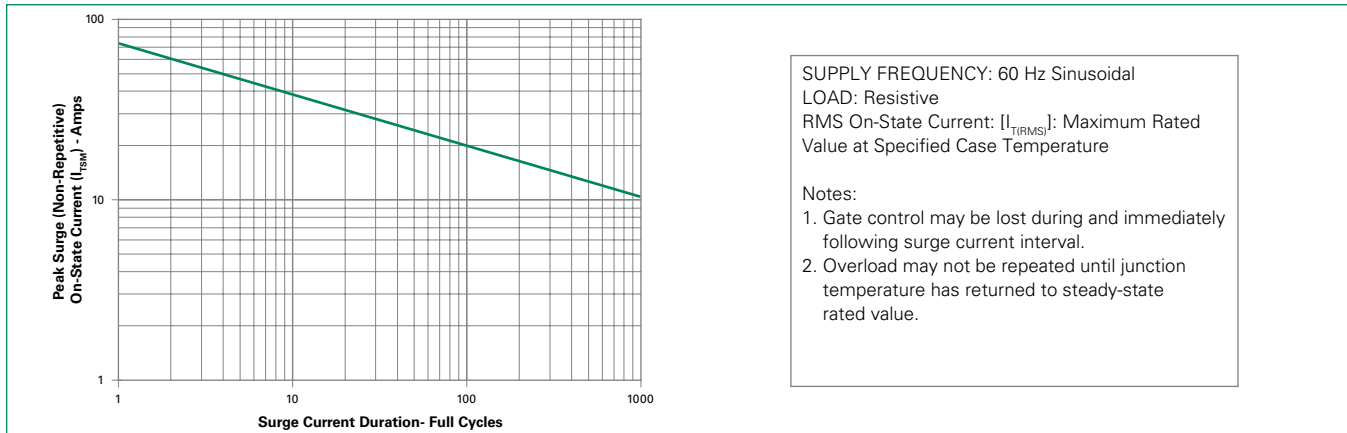


LJxx06xx & QJxx06xHx & QJxx06xx Series

6 A High Temp Sensitive, Standard, and Alternistor (High Communication) TRIACs

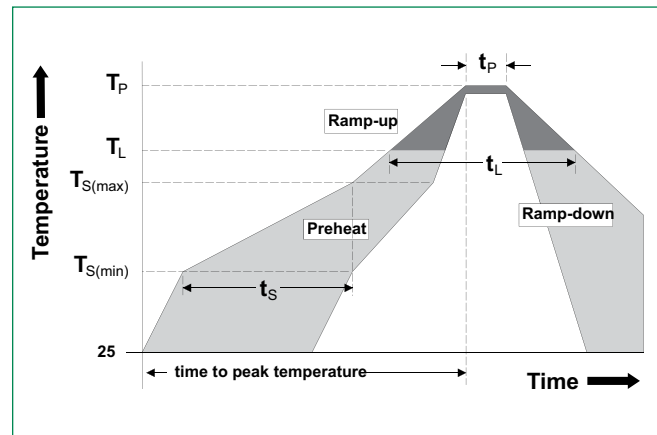
Figure 8:

Surge Peak On-State Current vs. Number of Cycles



Soldering Parameters

| | | |
|--|------------------------------------|-------------------------|
| Reflow Condition | | Pb – Free assembly |
| Pre Heat | - Temperature Min ($T_{s(min)}$) | 150°C |
| | - Temperature Max ($T_{s(max)}$) | 200°C |
| | - Time (min to max) (t_s) | 60 – 180 secs |
| Average ramp up rate (Liquidus Temp) (T_L) to peak | | 5°C/second max |
| $T_{s(max)}$ to T_L - Ramp-up Rate | | 5°C/second max |
| Reflow | - Temperature (T_L) (Liquidus) | 217°C |
| | - Time (t_L) | 60 – 150 seconds |
| Peak Temperature (T_p) | | 260 ^{+0/-5} °C |
| Time within 5°C of actual peak Temperature (t_p) | | 20 – 40 seconds |
| Ramp-down Rate | | 5°C/second max |
| Time 25°C to peak Temperature (T_p) | | 8 minutes Max. |
| Do not exceed | | 280°C |



LJxx06xx & QJxx06xHx & QJxx06xx Series

6 A High Temp Sensitive, Standard, and Alternistor (High Communication) TRIACs

Physical Specifications

| | |
|--------------------------|---|
| Terminal Finish | 100% Matte Tin-plated |
| Body Material | UL Recognized compound meeting flammability rating V-0. |
| Terminal Material | Copper Alloy |

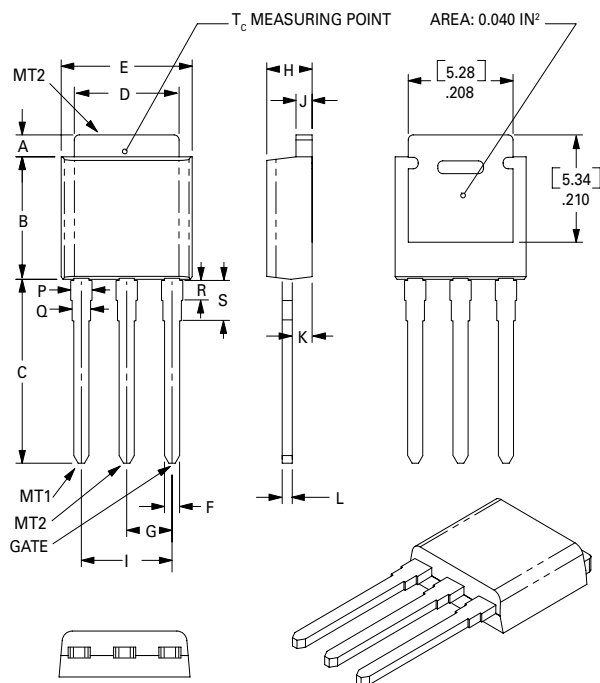
Design Considerations

Careful selection of the correct component for the application's operating parameters and environment will go a long way toward extending the operating life of the Thyristor. Good design practice should limit the maximum continuous current through the main terminals to 75% of the component rating. Other ways to ensure long life for a power discrete semiconductor are proper heat sinking and selection of voltage ratings for worst case conditions. Overheating, overvoltage (including dv/dt), and surge currents are the main killers of semiconductors. Correct mounting, soldering, and forming of the leads also help protect against component damage.

Environmental Specifications

| Test | Specifications and Conditions |
|---|---|
| AC Blocking (V_{DRM}) | MIL-STD-750, M-1040, Cond A Applied Peak AC voltage @ 150°C for 1008 hours |
| Temperature Cycling | MIL-STD-750, M-1051, 1000 cycles; -55°C to +150°C; 15-min dwell-time |
| Temperature/Humidity | EIA / JEDEC, JESD22-A101 1008 hours; 160V - DC: 85°C; 85% relative humidity |
| High Temp Storage | MIL-STD-750, M-1031, 1008 hours; 150°C |
| Low-Temp Storage | 1008 hours; -40°C |
| Resistance to Solder Heat | MIL-STD-750 Method 2031 |
| Solderability | ANSI/J-STD-002, category 3, Test A |
| Lead Bend | MIL-STD-750, M-2036 Cond E |

Dimensions — TO-251AA (V-Package) — V-PAK Through Hole

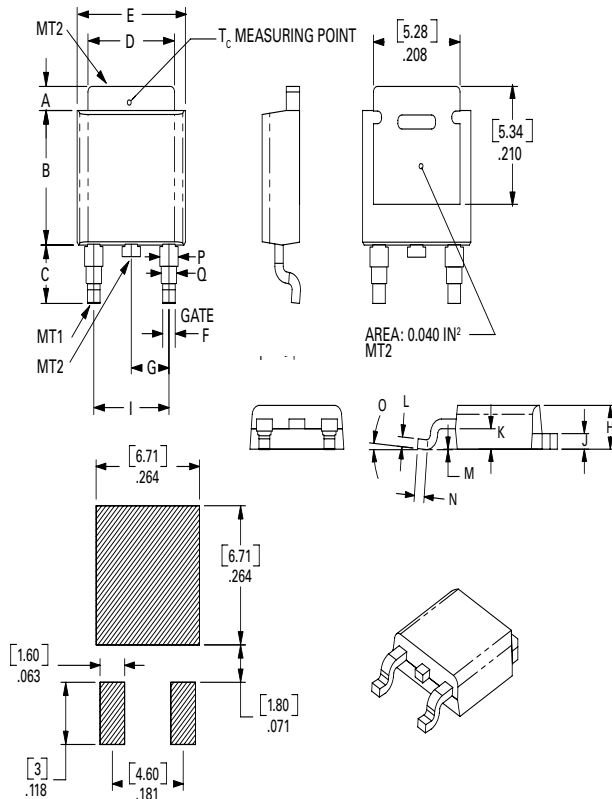


| Dimension | Inches | | | Millimeters | | |
|-----------|--------|-------|-------|-------------|------|------|
| | Min | Typ | Max | Min | Typ | Max |
| A | 0.037 | 0.040 | 0.043 | 0.94 | 1.01 | 1.09 |
| B | 0.235 | 0.242 | 0.245 | 5.97 | 6.15 | 6.22 |
| C | 0.350 | 0.361 | 0.375 | 8.89 | 9.18 | 9.53 |
| D | 0.205 | 0.208 | 0.213 | 5.21 | 5.29 | 5.41 |
| E | 0.255 | 0.262 | 0.265 | 6.48 | 6.66 | 6.73 |
| F | 0.027 | 0.031 | 0.033 | 0.69 | 0.80 | 0.84 |
| G | 0.087 | 0.090 | 0.093 | 2.21 | 2.28 | 2.36 |
| H | 0.085 | 0.092 | 0.095 | 2.16 | 2.34 | 2.41 |
| I | 0.176 | 0.180 | 0.184 | 4.47 | 4.57 | 4.67 |
| J | 0.018 | 0.020 | 0.023 | 0.46 | 0.51 | 0.58 |
| K | 0.035 | 0.037 | 0.039 | 0.90 | 0.95 | 1.00 |
| L | 0.018 | 0.020 | 0.023 | 0.46 | 0.52 | 0.58 |
| P | 0.042 | 0.047 | 0.052 | 1.06 | 1.20 | 1.32 |
| Q | 0.034 | 0.039 | 0.044 | 0.86 | 1.00 | 1.11 |
| R | 0.034 | 0.039 | 0.044 | 0.86 | 1.00 | 1.11 |
| S | 0.074 | 0.079 | 0.084 | 1.86 | 2.00 | 2.11 |

LJxx06xx & QJxx06xHx & QJxx06xx Series

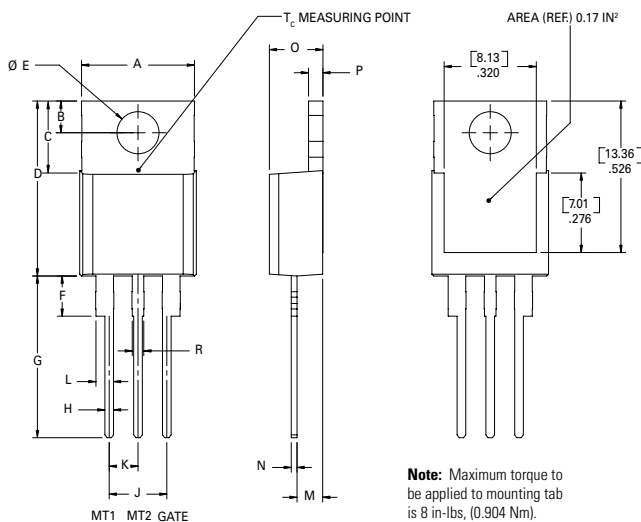
6 A High Temp Sensitive, Standard, and Alternistor (High Communication) TRIACs

Dimensions — TO-252AA (D-Package) — D-PAK Surface mount



| Dimension | Inches | | | Millimeters | | |
|-----------|--------|-------|-------|-------------|------|------|
| | Min | Typ | Max | Min | Typ | Max |
| A | 0.037 | 0.040 | 0.043 | 0.94 | 1.01 | 1.09 |
| B | 0.235 | 0.243 | 0.245 | 5.97 | 6.16 | 6.22 |
| C | 0.106 | 0.108 | 0.113 | 2.69 | 2.74 | 2.87 |
| D | 0.205 | 0.208 | 0.213 | 5.21 | 5.29 | 5.41 |
| E | 0.255 | 0.262 | 0.265 | 6.48 | 6.65 | 6.73 |
| F | 0.027 | 0.031 | 0.033 | 0.69 | 0.80 | 0.84 |
| G | 0.087 | 0.090 | 0.093 | 2.21 | 2.28 | 2.36 |
| H | 0.085 | 0.092 | 0.095 | 2.16 | 2.33 | 2.41 |
| I | 0.176 | 0.179 | 0.184 | 4.47 | 4.55 | 4.67 |
| J | 0.018 | 0.020 | 0.023 | 0.46 | 0.51 | 0.58 |
| K | 0.035 | 0.037 | 0.039 | 0.90 | 0.95 | 1.00 |
| L | 0.018 | 0.020 | 0.023 | 0.46 | 0.51 | 0.58 |
| M | 0.000 | 0.000 | 0.004 | 0.00 | 0.00 | 0.10 |
| N | 0.021 | 0.026 | 0.027 | 0.53 | 0.67 | 0.69 |
| O | 0° | 0° | 5° | 0° | 0° | 5° |
| P | 0.042 | 0.047 | 0.052 | 1.06 | 1.20 | 1.32 |
| Q | 0.034 | 0.039 | 0.044 | 0.86 | 1.00 | 1.11 |

Dimensions — TO-220AB(L-Package) — Isolated Mounting Tab

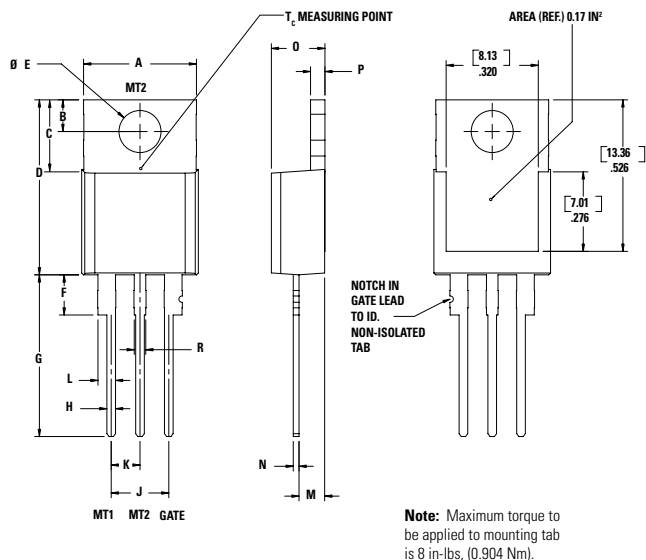


| Dimension | Inches | | Millimeters | |
|-----------|--------|-------|-------------|-------|
| | Min | Max | Min | Max |
| A | 0.380 | 0.420 | 9.65 | 10.67 |
| B | 0.105 | 0.115 | 2.67 | 2.92 |
| C | 0.230 | 0.250 | 5.84 | 6.35 |
| D | 0.590 | 0.620 | 14.99 | 15.75 |
| E | 0.142 | 0.147 | 3.61 | 3.73 |
| F | 0.110 | 0.130 | 2.79 | 3.30 |
| G | 0.540 | 0.575 | 13.72 | 14.61 |
| H | 0.025 | 0.035 | 0.64 | 0.89 |
| J | 0.195 | 0.205 | 4.95 | 5.21 |
| K | 0.095 | 0.105 | 2.41 | 2.67 |
| L | 0.060 | 0.075 | 1.52 | 1.91 |
| M | 0.085 | 0.095 | 2.16 | 2.41 |
| N | 0.018 | 0.024 | 0.46 | 0.61 |
| O | 0.178 | 0.188 | 4.52 | 4.78 |
| P | 0.045 | 0.060 | 1.14 | 1.52 |
| R | 0.038 | 0.048 | 0.97 | 1.22 |

LJxx06xx & QJxx06xHx & QJxx06xx Series

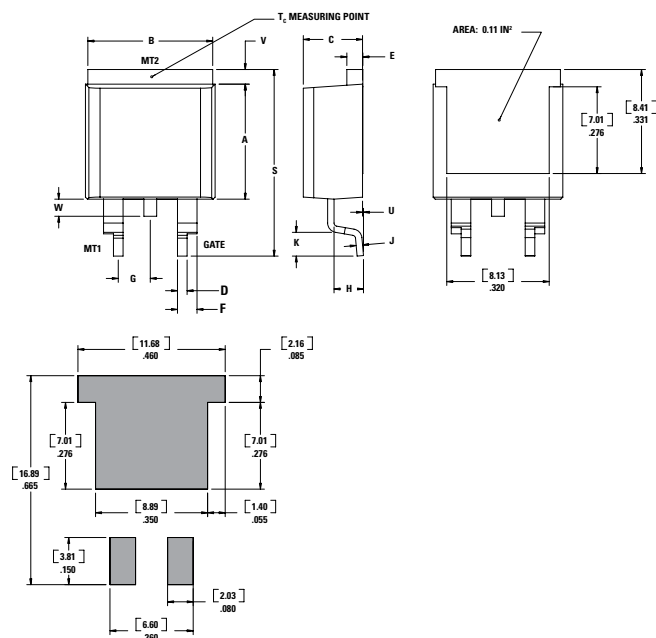
6 A High Temp Sensitive, Standard, and Alternistor (High Communication) TRIACs

Dimensions — TO-220 AB (R- Package) — Non-isolated Mounting Tab



| Dimension | Inches | | Millimeters | |
|-----------|--------|-------|-------------|-------|
| | Min | Max | Min | Max |
| A | 0.380 | 0.420 | 9.65 | 10.67 |
| B | 0.105 | 0.115 | 2.67 | 2.92 |
| C | 0.230 | 0.250 | 5.84 | 6.35 |
| D | 0.590 | 0.620 | 14.99 | 15.75 |
| E | 0.142 | 0.147 | 3.61 | 3.73 |
| F | 0.110 | 0.130 | 2.79 | 3.30 |
| G | 0.540 | 0.575 | 13.72 | 14.61 |
| H | 0.025 | 0.035 | 0.64 | 0.89 |
| J | 0.195 | 0.205 | 4.95 | 5.21 |
| K | 0.095 | 0.105 | 2.41 | 2.67 |
| L | 0.060 | 0.075 | 1.52 | 1.91 |
| M | 0.085 | 0.095 | 2.16 | 2.41 |
| N | 0.018 | 0.024 | 0.46 | 0.61 |
| O | 0.178 | 0.188 | 4.52 | 4.78 |
| P | 0.045 | 0.060 | 1.14 | 1.52 |
| R | 0.038 | 0.048 | 0.97 | 1.22 |

Dimensions — TO-263 AB (N- Package) — D2Pak Surface Mount



| Dimension | Inches | | Millimeters | |
|-----------|--------|-------|-------------|-------|
| | Min | Max | Min | Max |
| A | 0.360 | 0.370 | 9.14 | 9.40 |
| B | 0.380 | 0.420 | 9.65 | 10.67 |
| C | 0.178 | 0.188 | 4.52 | 4.78 |
| D | 0.025 | 0.035 | 0.64 | 0.89 |
| E | 0.045 | 0.060 | 1.14 | 1.52 |
| F | 0.060 | 0.075 | 1.52 | 1.91 |
| G | 0.095 | 0.105 | 2.41 | 2.67 |
| H | 0.092 | 0.102 | 2.34 | 2.59 |
| J | 0.018 | 0.024 | 0.46 | 0.61 |
| K | 0.090 | 0.110 | 2.29 | 2.79 |
| S | 0.590 | 0.625 | 14.99 | 15.88 |
| V | 0.035 | 0.045 | 0.89 | 1.14 |
| U | 0.002 | 0.010 | 0.05 | 0.25 |
| W | 0.040 | 0.070 | 1.02 | 1.78 |

LJxx06xx & QJxx06xHx & QJxx06xx Series

6 A High Temp Sensitive, Standard, and Alternistor (High Communication) TRIACs

Product Selector

| Part Number | Voltage | | | Gate Sensitivity Quadrants | | Type | Package |
|-------------|---------|-------|-------|----------------------------|----|-------------------|--------------|
| | 400 V | 600 V | 800 V | I - II - III | IV | | |
| LJxx06D8 | x | x | - | 10 | 20 | Sensitive TRIAC | TO-252 D-PAK |
| LJxx06V8 | x | x | - | 10 | 20 | Sensitive TRIAC | TO-251 V-PAK |
| QJxx06DH2 | x | x | - | 10 | - | Alternistor TRIAC | TO-252 D-PAK |
| QJxx06VH2 | x | x | - | 10 | - | Alternistor TRIAC | TO-251 V-PAK |
| QJxx06DH3 | x | x | - | 20 | - | Alternistor TRIAC | TO-252 D-PAK |
| QJxx06VH3 | x | x | - | 20 | - | Alternistor TRIAC | TO-251 V-PAK |
| QJxx06DH4 | x | x | - | 35 | - | Alternistor TRIAC | TO-252 D-PAK |
| QJxx06VH4 | x | x | - | 35 | - | Alternistor TRIAC | TO-251 V-PAK |
| QJxx06LH4 | - | x | x | 35 | - | Alternistor TRIAC | TO-220L |
| QJxx06RH4 | - | x | x | 35 | - | Alternistor TRIAC | TO-220R |
| QJxx06NH4 | - | x | x | 35 | - | Alternistor TRIAC | TO-220N |
| QJxx06L5 | - | x | x | 50 | - | Standard TRIAC | TO-220L |
| QJxx06R5 | - | x | x | 50 | - | Standard TRIAC | TO-220R |
| QJxx06N5 | - | x | x | 50 | - | Standard TRIAC | TO-220N |

Note: xx = voltage/10

Packing Options

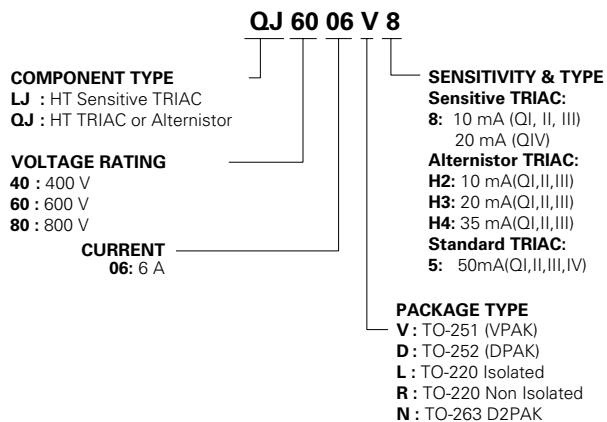
| Part Number | Marking | Weight | Packing Mode | Base Quantity |
|-------------|-----------|--------|------------------|--------------------|
| LJxx06D8TP | LJxx06D8 | 0.3 g | Tube Pack | 750 (75 per tube) |
| LJxx06D8RP | LJxx06D8 | 0.3 g | Embossed Carrier | 2500 |
| QJxx06DH2TP | QJxx06DH2 | 0.3 g | Tube Pack | 750 (75 per tube) |
| QJxx06DH2RP | QJxx06DH2 | 0.3 g | Embossed Carrier | 2500 |
| QJxx06VH2TP | QJxx06VH2 | 0.3 g | Tube Pack | 750 (75 per tube) |
| LJxx06V8TP | LJxx06V8 | 0.4 g | Tube Pack | 750 (75 per tube) |
| QJxx06DH3TP | QJxx06DH3 | 0.3 g | Tube Pack | 750 (75 per tube) |
| QJxx06DH3RP | QJxx06DH3 | 0.3 g | Embossed Carrier | 2500 |
| QJxx06VH3TP | QJxx06VH3 | 0.4 g | Tube Pack | 750 (75 per tube) |
| QJxx06DH4TP | QJxx06DH4 | 0.3 g | Tube Pack | 750 (75 per tube) |
| QJxx06DH4RP | QJxx06DH4 | 0.3 g | Embossed Carrier | 2500 |
| QJxx06VH4TP | QJxx06VH4 | 0.4 g | Tube Pack | 750 (75 per tube) |
| QJxx06LH4TP | QJxx06LH4 | 2.2 g | Tube Pack | 1000 (50 per tube) |
| QJxx06RH4TP | QJxx06RH4 | 2.2 g | Tube Pack | 1000 (50 per tube) |
| QJxx06NH4TP | QJxx06NH4 | 1.6 g | Tube Pack | 1000 (50 per tube) |
| QJxx06NH4RP | QJxx06NH4 | 1.6 g | Embossed Carrier | 500 |
| QJxx06L5TP | QJxx06L5 | 2.2 g | Tube Pack | 1000 (50 per tube) |
| QJxx06R5TP | QJxx06R5 | 2.2 g | Tube Pack | 1000 (50 per tube) |
| QJxx06N5TP | QJxx06N5 | 1.6 g | Tube Pack | 1000 (50 per tube) |
| QJxx06N5RP | QJxx06N5 | 1.6 g | Embossed Carrier | 500 |

Note: xx = voltage/10

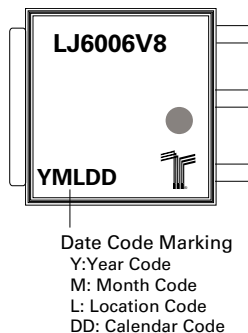
LJxx06xx & QJxx06xHx & QJxx06xx Series

6 A High Temp Sensitive, Standard, and Alternistor (High Communication) TRIACs

Part Numbering System

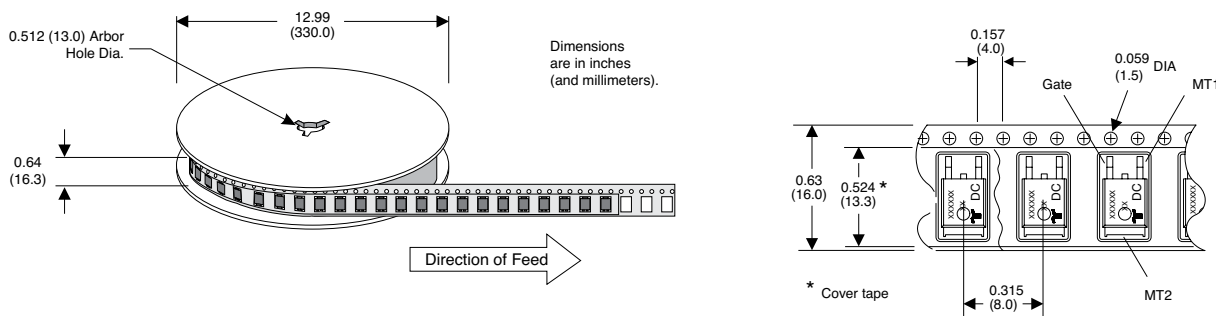


Part Marking System



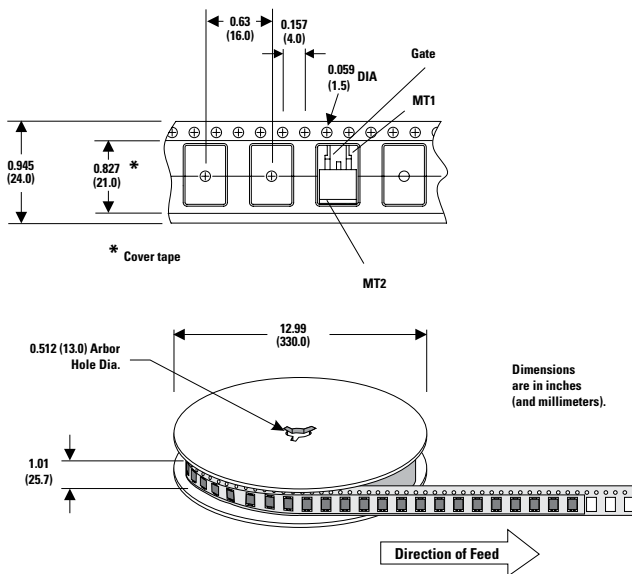
TO-252 Embossed Carrier Reel Pack (RP) Specifications

Meets all EIA-481-2 Standards



TO-263 Embossed Carrier Reel Pack (RP) Specifications

Meets all EIA-481-2 Standards



Disclaimer Notice

Information furnished is believed to be accurate and reliable. However, users should independently evaluate the suitability of and test each product selected for their own applications. Littelfuse products are not designed for, and may not be used in, all applications. Read complete Disclaimer Notice at <http://www.littelfuse.com/disclaimer-electronics>.



Part of:



Expertise Applied | Answers Delivered