

PART NUMBER	UPC CODE
LM30303PJ	07945831067

REVISION		
REV	DATE	DESCRIPTION
A	5/4/23	526430GCP - RELEASE PER EM3380 MRY



LM30303PJ
L: 0123456789; NS: 01234



UL 98
600Vac 30A 50/60Hz
General purpose switch
Use Cu wire only
75°C 10-2 AWG Wire
Terminal Torque 17.7 LB.IN.

Motor-Circuit Switch

3 ∅	Vac	240	480	600
MAX	HP	7.5	15	20
STD	HP	3	5	7.5

Suitable for use on a circuit capable of delivering not more than 200kA R.M.S symmetrical, 600V max. Use class J fuses.

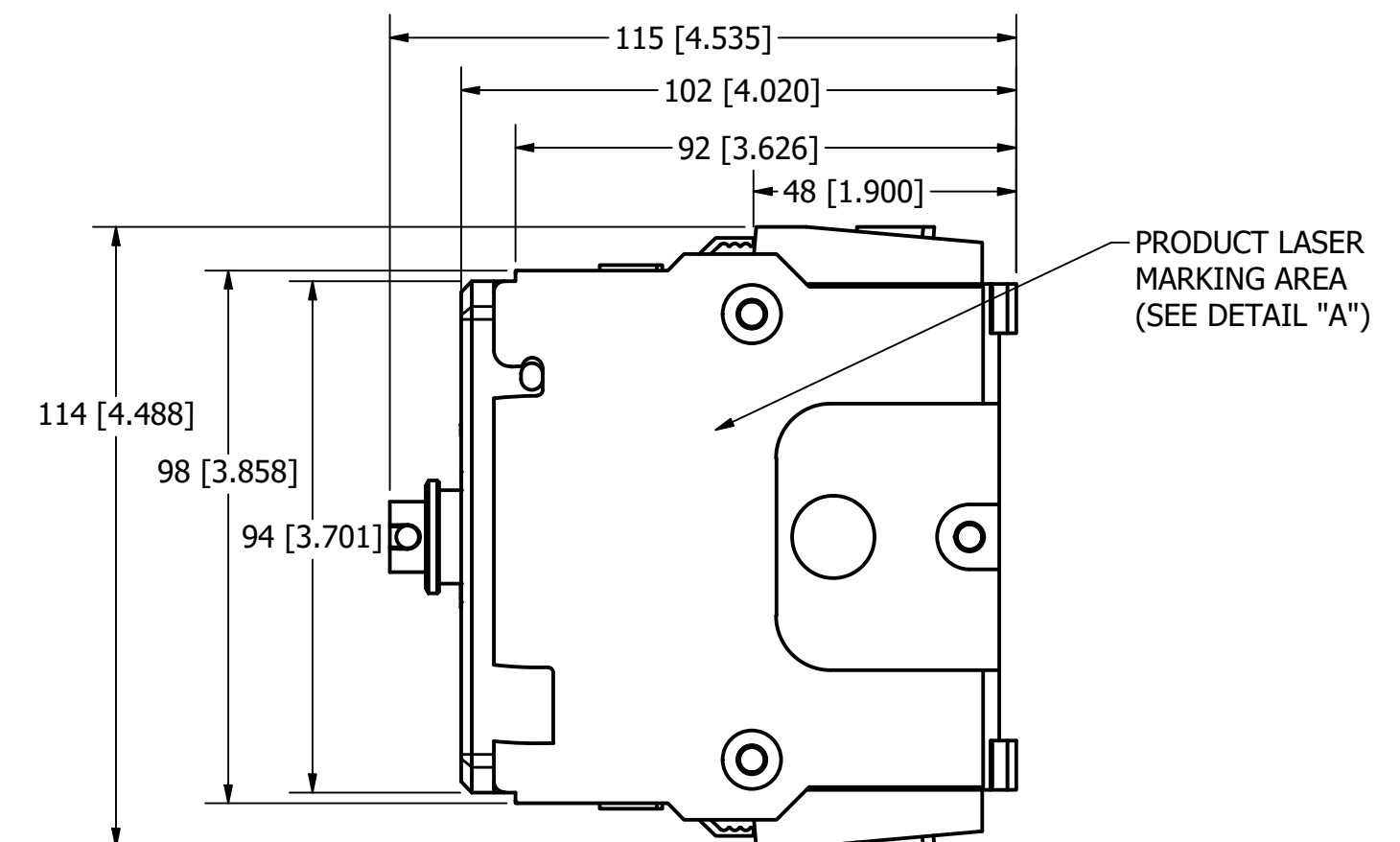
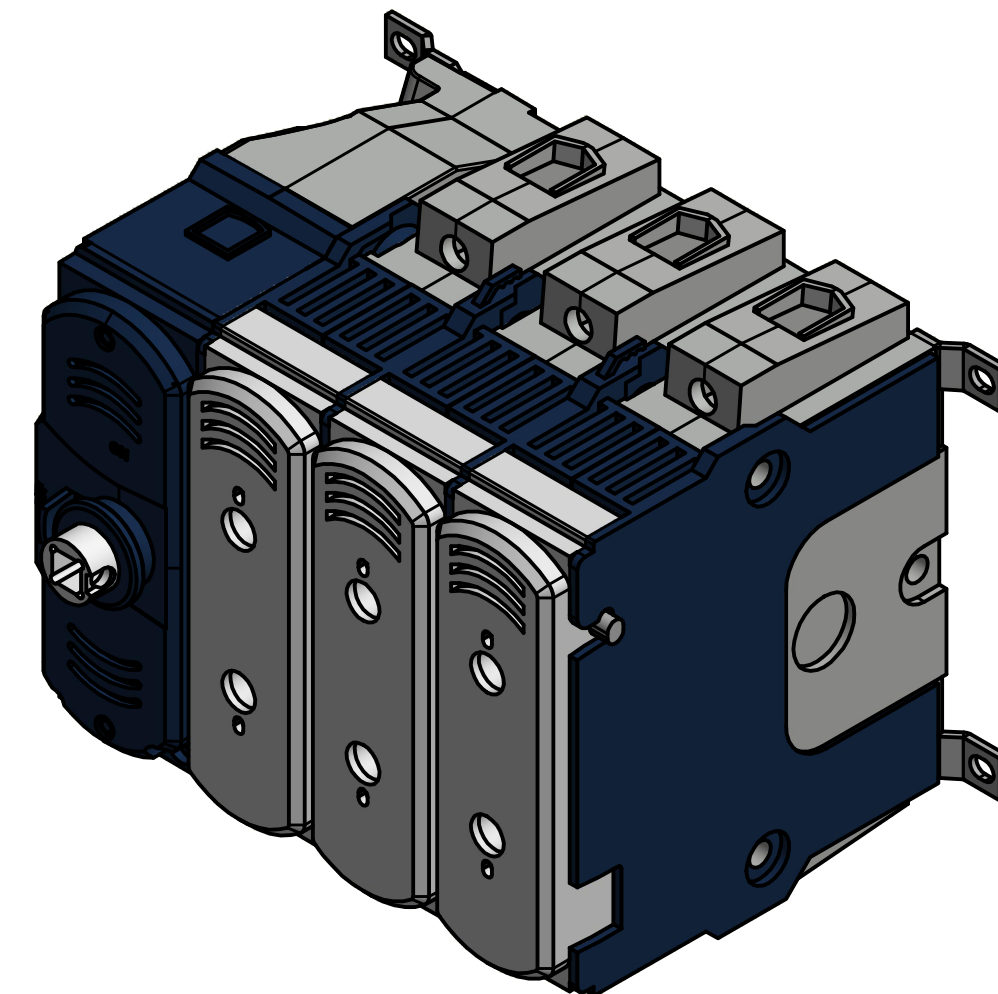
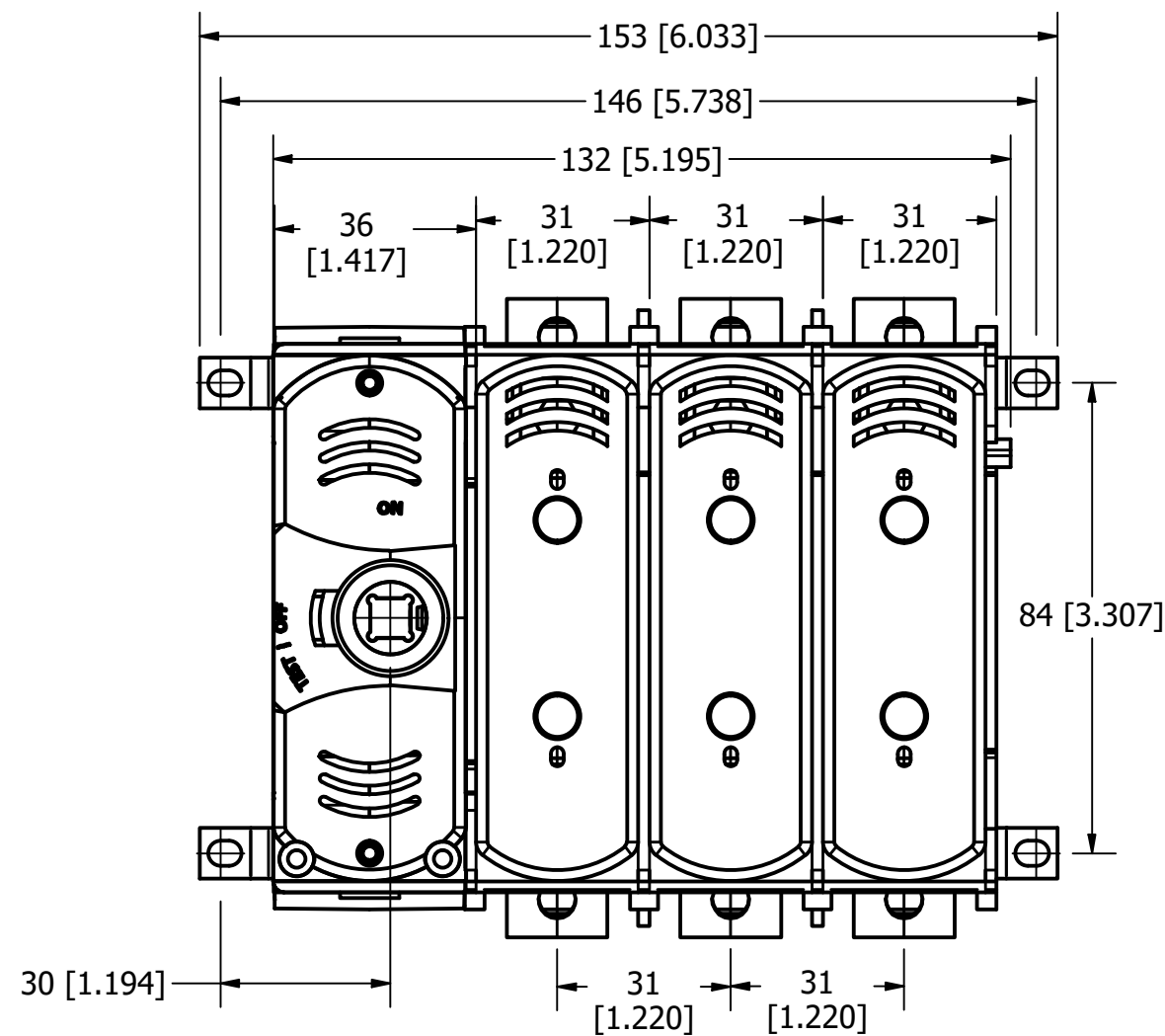
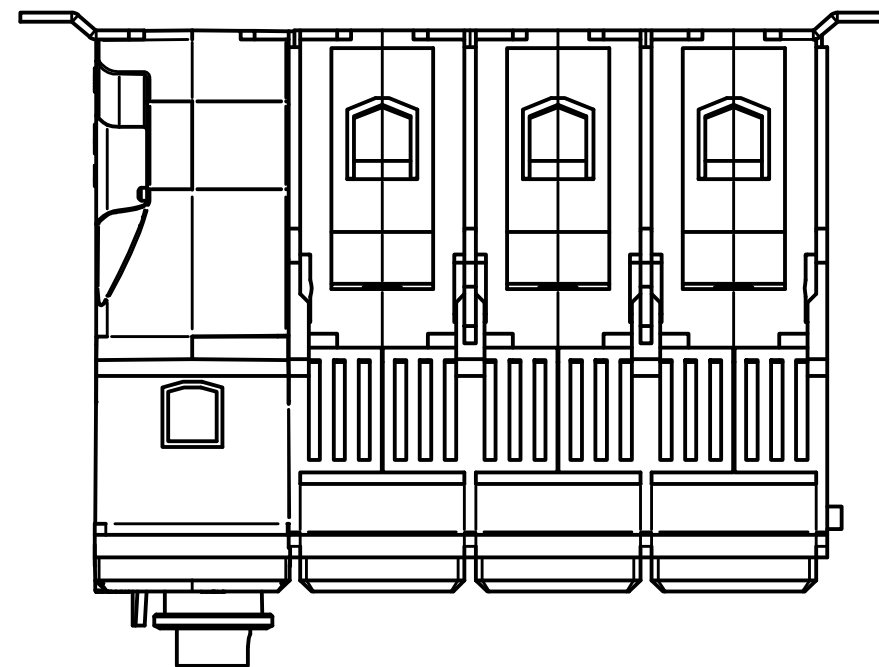
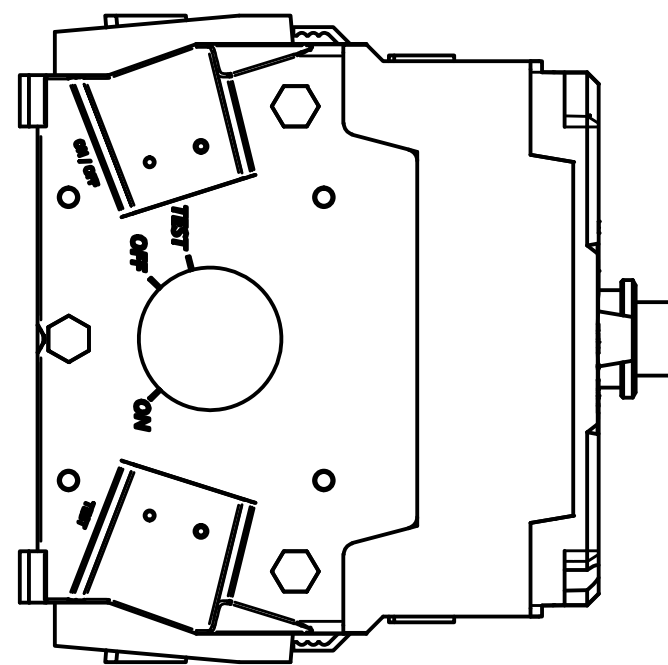
Max. fuse size 30A

The starting current of motors of more than the standard horsepower ratings may require the use of fuses with appropriate time-delay characteristics. Continuous load current not to exceed 80 percent of the rating of the fuses employed in other than motor circuits.

Use accessories according to instructions:
4567Z009

MADE IN SPAIN

DETAIL "A"
SIDE PRINTING



1	NO	COMPONENT NO	DESCRIPTION	QTY/M	U/M
BILL OF MATERIAL					
<S>			CRITICAL CHARACTERISTIC FOR PART SAFETY/COMPLIANCE		
●			DENOTES CRITICAL CHARACTERISTICS.		
CPK			DENOTES CPK DIMENSIONS, -MINIMUM CPK VALUE		
(ST)			DENOTES A CHARACTERISTIC THAT PROVIDES AN INDICATION OF PROCESS PERFORMANCE. PROCEDURE FOR MEASUREMENT AND TRACKING TO BE DEFINED IN LITTELFUSE INSPECTION INSTRUCTIONS.		
CP			DENOTES CP DIMENSIONS, -MINIMUM CP VALUE MUST BE WITHIN THE DIMENSIONAL LIMITATIONS SHOWN ON DRAWING AND INITIALLY LOCATED TO ALLOW FOR MAXIMUM TOOL LIFE.		C
MATL SPEC			FINISH		
DRW	myork	DATE	1/5/2023	SCALE	NTS
				FINISH GOOD WT	GRAMS/PIECE
UNLESS OTHERWISE SPECIFIED, DIMENSIONS ARE IN MILLIMETERS, DIMENSIONS IN BRACKETS [] ARE INCHES DIMENSIONING AND DO NOT INCLUDE PLATING. TOLERANCING TO BE INTERPRETED IN ACCORDANCE WITH ANSI Y14.5M-1994					
3RD ANGLE PROJECTION					
TITLE CLASS J 30A DISCONNECT 3P OUTLINE					
Littelfuse CHICAGO, ILLINOIS 60631			REVISION	DRWG NO.	SHEET 1 OF 1
			A	OL-LM30303PJ	