

| Parameter                  | Rating        | Units            |
|----------------------------|---------------|------------------|
| LED Operating Range        | 2 - 10        | mA               |
| K3, Transfer Gain          | 0.668 - 1.179 | -                |
| Isolation, Input to Output | 3750          | V <sub>rms</sub> |

### Features

- 0.01% Servo Linearity
- THD -87dB Typical
- Wide Bandwidth (>200kHz)
- Couples Analog and Digital Signals
- High Gain Stability
- Low Input/Output Capacitance
- Low Power Consumption
- 8-Pin Flatpack or DIP Package
- Surface Mount and Tape & Reel Versions Available

### Applications

- Modem Transformer Replacement With No Insertion Loss
- Digital Telephone Isolation
- Power Supply Feedback Voltage/Current
- Medical Sensor Isolation
- Audio Signal Interfacing
- Isolation of Process Control Transducers

### Description

The LOC110 Single Linear Optocoupler features an infrared LED optically coupled with two photodiodes. One feedback (input) photodiode is used to generate a control signal that provides a servomechanism to the LED drive current, thus compensating for the LED's nonlinear time and temperature characteristics. The other (output) photodiode provides an output signal that is linear with respect to the servo LED current. The product features wide bandwidth, high input to output isolation, and excellent servo linearity.

### Approvals

- UL Recognized Component: File # E76270
- CSA Certified Component: Certificate # 1175739
- EN/IEC 60950-1 Certified Component:  
TUV Certificate # B 13 12 82667 003

### Ordering Information

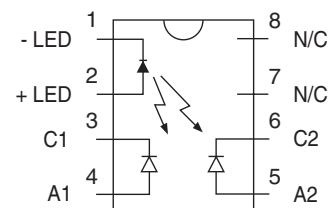
| Part Number | Description                     |
|-------------|---------------------------------|
| LOC110      | 8-Pin DIP (50/Tube)             |
| LOC110P     | 8-Pin Flatpack (50/Tube)        |
| LOC110PTR   | 8-Pin Flatpack (1000/Reel)      |
| LOC110S     | 8-Pin Surface Mount (50/tube)   |
| LOC110STR   | 8-Pin Surface Mount (1000/Reel) |

Each tube or reel will contain only devices of one K3-sorted value. Devices will be individually marked with the letter of their K3 bin.

| K3 Sorted Bins        |
|-----------------------|
| Bin C = 0.668 - 0.732 |
| Bin D = 0.733 - 0.805 |
| Bin E = 0.806 - 0.886 |
| Bin F = 0.887 - 0.974 |
| Bin G = 0.975 - 1.072 |
| Bin H = 1.073 - 1.179 |

Devices of any available bin will be shipped.

### Pin Configuration



### Absolute Maximum Ratings @ 25°C

| Parameter                              | Ratings     | Units            |
|----------------------------------------|-------------|------------------|
| Reverse LED Voltage                    | 5           | V                |
| Input Control Current                  | 100         | mA               |
| Peak (10ms)                            | 1           | A                |
| Input Power Dissipation <sup>1</sup>   | 150         | mW               |
| Total Package Dissipation <sup>2</sup> | 500         | mW               |
| Isolation Voltage, Input to Output     | 3750        | V <sub>rms</sub> |
| Operational Temperature                | -40 to +85  | °C               |
| Storage Temperature                    | -40 to +125 | °C               |

<sup>1</sup> Derate linearly 1.33 mW / °C

<sup>2</sup> Derate linearly 6.67 mW / °C

Absolute Maximum Ratings are stress ratings. Stresses in excess of these ratings can cause permanent damage to the device. Functional operation of the device at conditions beyond those indicated in the operational sections of this data sheet is not implied.

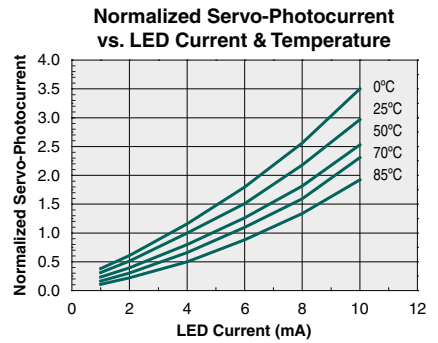
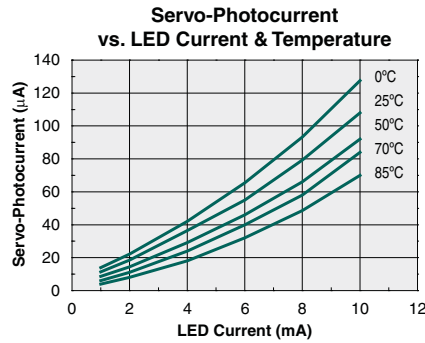
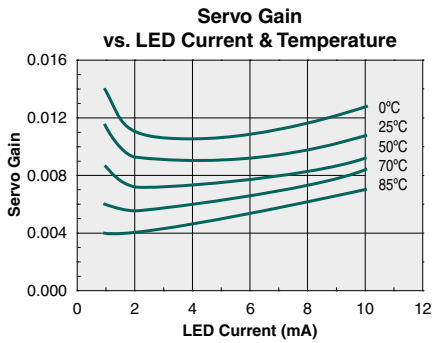
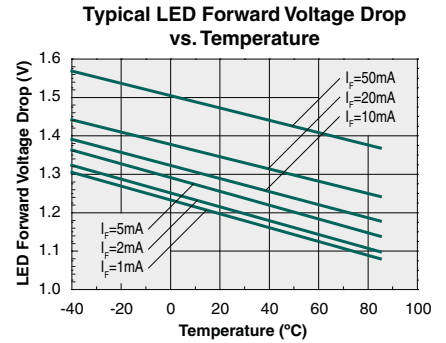
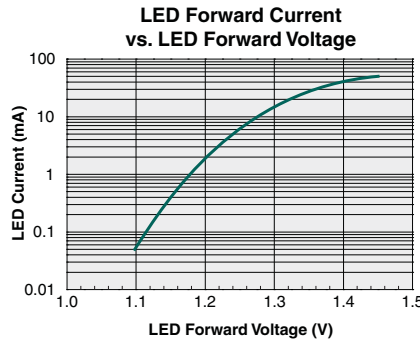
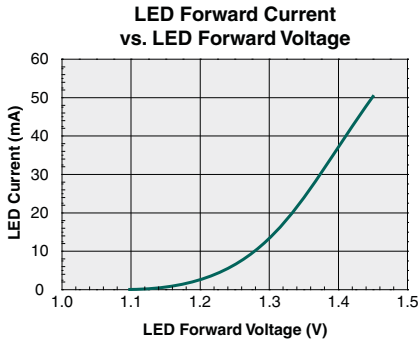
Typical values are characteristic of the device at +25°C, and are the result of engineering evaluations. They are provided for information purposes only, and are not part of the manufacturing testing requirements.

### Electrical Characteristics @ 25°C

| Parameter                                   | Conditions                                                | Symbol               | Min   | Typ   | Max   | Units  |
|---------------------------------------------|-----------------------------------------------------------|----------------------|-------|-------|-------|--------|
| <b>Input Characteristics</b>                |                                                           |                      |       |       |       |        |
| LED Voltage Drop                            | $I_F = 2 - 10\text{mA}$                                   | $V_F$                | 0.9   | 1.2   | 1.4   | V      |
| Reverse LED Current                         | $V_R = 5\text{V}$                                         | $I_R$                | -     | -     | 10    | μA     |
| <b>Coupler/Detector Characteristics</b>     |                                                           |                      |       |       |       |        |
| Dark Current                                | $I_F=0\text{mA}, V_{C1-A1}=V_{C2-A2}=15\text{V}$          | $I_D$                | -     | 1     | 25    | nA     |
| K1, Servo Gain ( $I_{C1}/I_F$ )             | $I_F=2 - 10\text{mA}, V_{C1-A1}=V_{C2-A2}=15\text{V}$     | K1                   | 0.004 | 0.007 | 0.030 | -      |
| K2, Forward Gain ( $I_{C2}/I_F$ )           |                                                           | K2                   | 0.004 | 0.007 | 0.030 | -      |
| K3, Transfer Gain ( $K2/K1=I_{C2}/I_{C1}$ ) |                                                           | K3                   | 0.668 | -     | 1.179 | -      |
| ΔK3, Transfer Gain Linearity (non-servoed)  | $I_F=2 - 10\text{mA}$                                     | ΔK3                  | -     | -     | 1     | %      |
| K3 Temperature Coefficient                  | $I_F=2 - 10\text{mA}, V_{C1-A1}=V_{C2-A2}= 5\text{V}$     | $\Delta K3/\Delta T$ | -     | 0.005 | -     | % / °C |
| Common-Mode Rejection Ratio                 | $V=20\text{V}_{p,p}, R_L=2\text{k}\Omega, f=100\text{Hz}$ | CMRR                 | -     | 130   | -     | dB     |
| Total Harmonic Distortion                   | $f_0=350\text{Hz}, 0\text{dBm}$                           | THD                  | -96   | -87   | -80   | dB     |
| Frequency Response <sup>1</sup>             | Photoconductive Configuration                             | $f_{-3\text{dB}}$    | -     | 200   | -     | kHz    |
|                                             | Photovoltaic Configuration                                |                      | -     | 40    | -     |        |
| Capacitance, Input to Output                | $V_{IO}=0\text{V}, f=1\text{MHz}$                         | $C_{IO}$             | -     | 3     | -     | pF     |

<sup>1</sup> Refer to Application Note, AN-107, for LOC110 Configurations.

**PERFORMANCE DATA @25°C (Unless Otherwise Noted)\***



\*The Performance data shown in the graphs above is typical of device performance. For guaranteed parameters not indicated in the written specifications, please contact our application department.

## Manufacturing Information

### Moisture Sensitivity



All plastic encapsulated semiconductor packages are susceptible to moisture ingress. IXYS Integrated Circuits Division classified all of its plastic encapsulated devices for moisture sensitivity according to the latest version of the joint industry standard, **IPC/JEDEC J-STD-020**, in force at the time of product evaluation. We test all of our products to the maximum conditions set forth in the standard, and guarantee proper operation of our devices when handled according to the limitations and information in that standard as well as to any limitations set forth in the information or standards referenced below.

Failure to adhere to the warnings or limitations as established by the listed specifications could result in reduced product performance, reduction of operable life, and/or reduction of overall reliability. This product carries a Moisture Sensitivity Level (MSL) classification as shown below, and should be handled according to the requirements of the latest version of the joint industry standard **IPC/JEDEC J-STD-033**.

| Device           | Moisture Sensitivity Level (MSL) Classification |
|------------------|-------------------------------------------------|
| LOC110 / LOC110S | MSL 1                                           |
| LOC110P          | MSL 3                                           |

### ESD Sensitivity



This product is **ESD Sensitive**, and should be handled according to the industry standard **JESD-625**.

### Soldering Profile

Provided in the table below is the Classification Temperature ( $T_C$ ) of this product and the maximum dwell time the body temperature of this device may be above ( $T_C - 5$ )°C. The classification temperature sets the Maximum Body Temperature allowed for this device during lead-free reflow processes. For through hole devices, and any other processes, the guidelines of **J-STD-020** must be observed.

| Device  | Classification Temperature ( $T_C$ ) | Dwell Time ( $t_p$ ) | Max Reflow Cycles |
|---------|--------------------------------------|----------------------|-------------------|
| LOC110  | 250°C                                | 30 seconds           | N/A               |
| LOC110S | 250°C                                |                      | 3                 |
| LOC110P | 240°C                                |                      | 3                 |

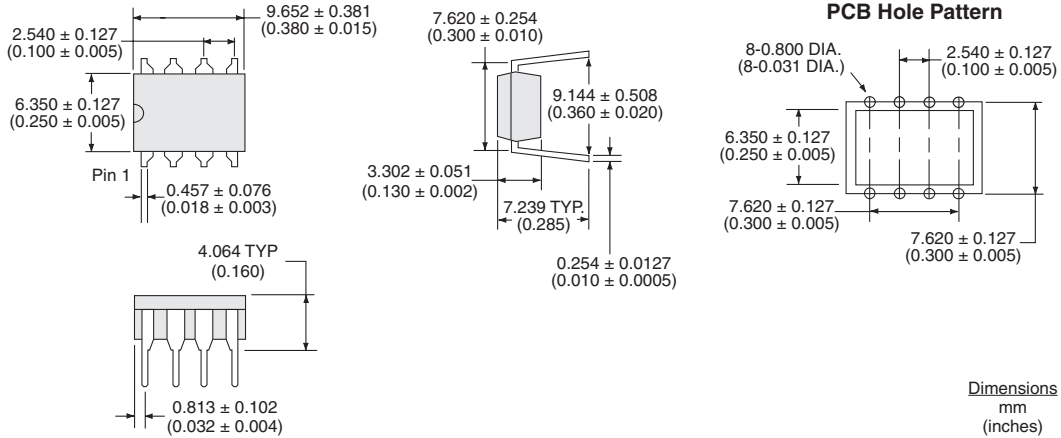
### Board Wash

IXYS Integrated Circuits Division recommends the use of no-clean flux formulations. Board washing to reduce or remove flux residue following the solder reflow process is acceptable provided proper precautions are taken to prevent damage to the device. These precautions include, but are not limited to: using a low pressure wash and providing a follow up bake cycle sufficient to remove any moisture trapped within the device due to the washing process. Due to the variability of the wash parameters used to clean the board, determination of the bake temperature and duration necessary to remove the moisture trapped within the package is the responsibility of the user (assembler). Cleaning or drying methods that employ ultrasonic energy may damage the device and should not be used. Additionally, the device must not be exposed to flux or solvents that are Chlorine- or Fluorine-based.

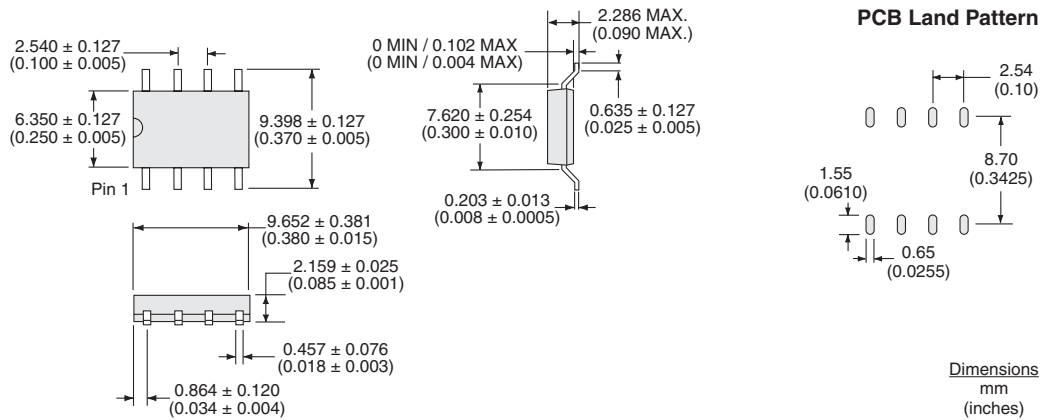


**Mechanical Dimensions**

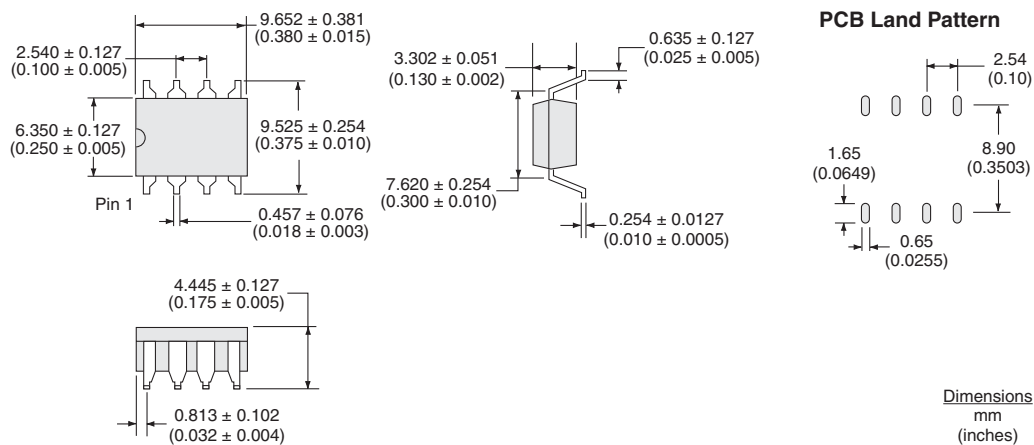
**LOC110**



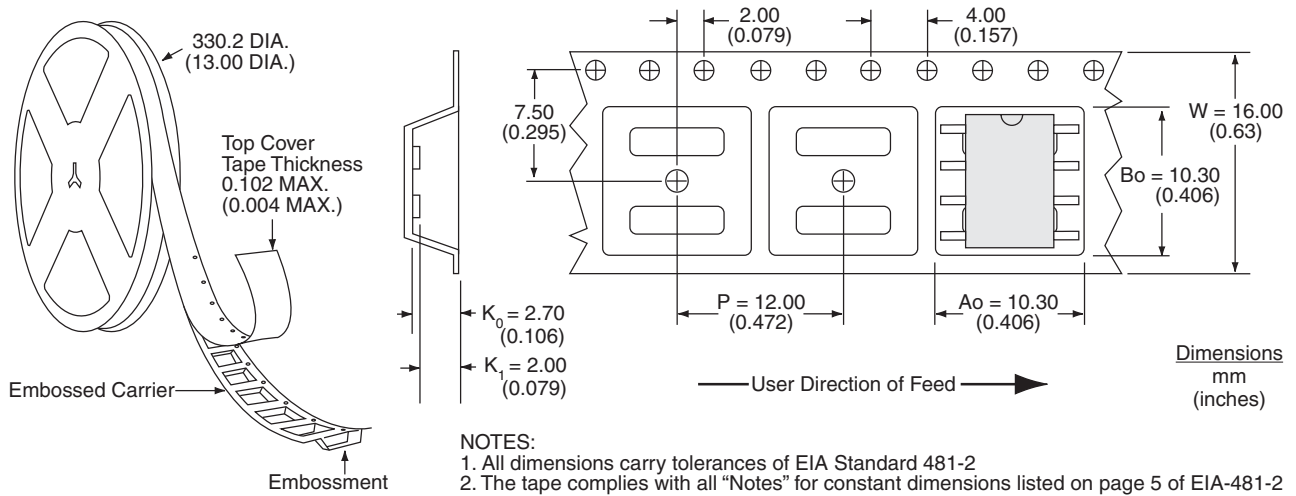
**LOC110P**



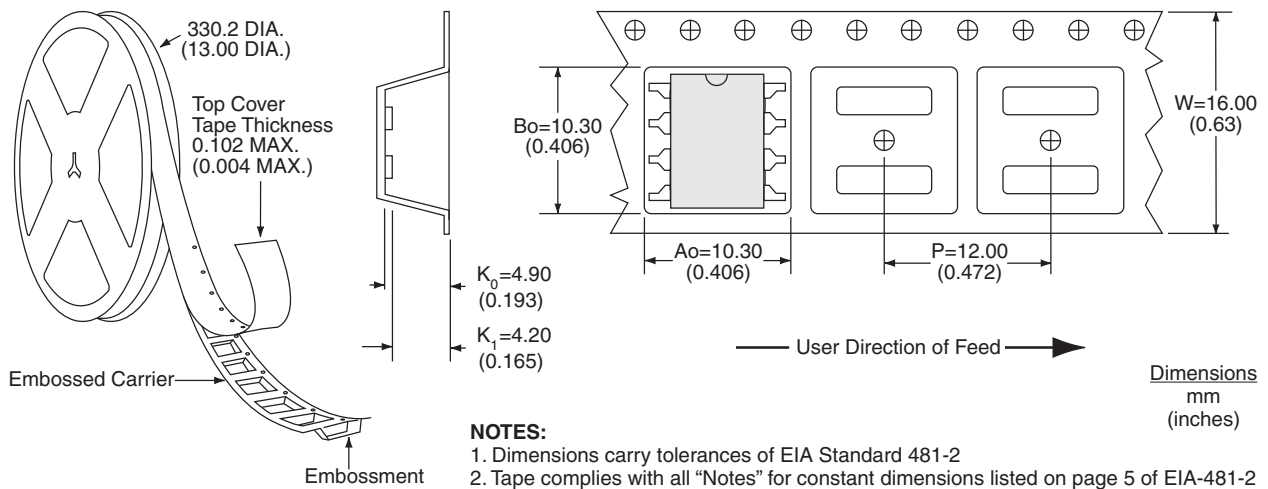
**LOC110S**



### LOC110PTR Tape & Reel



### LOC110STR Tape & Reel



For additional information please visit our website at: [www.ixysic.com](http://www.ixysic.com)

IXYS Integrated Circuits Division makes no representations or warranties with respect to the accuracy or completeness of the contents of this publication and reserves the right to make changes to specifications and product descriptions at any time without notice. Neither circuit patent licenses nor indemnity are expressed or implied. Except as set forth in IXYS Integrated Circuits Division's Standard Terms and Conditions of Sale, IXYS Integrated Circuits Division assumes no liability whatsoever, and disclaims any express or implied warranty, relating to its products including, but not limited to, the implied warranty of merchantability, fitness for a particular purpose, or infringement of any intellectual property right.

The products described in this document are not designed, intended, authorized or warranted for use as components in systems intended for surgical implant into the body, or in other applications intended to support or sustain life, or where malfunction of IXYS Integrated Circuits Division's product may result in direct physical harm, injury, or death to a person or severe property or environmental damage. IXYS Integrated Circuits Division reserves the right to discontinue or make changes to its products at any time without notice.

The information below supercedes any previously presented material.

For additional information please visit our website at: <https://www.littelfuse.com>



---

Disclaimer Notice - Information furnished is believed to be accurate and reliable. However, users should independently evaluate the suitability of and test each product selected for their own applications. Littelfuse products are not designed for, and may not be used in, all applications. Read complete Disclaimer Notice at [www.littelfuse.com/disclaimer-electronics](http://www.littelfuse.com/disclaimer-electronics).