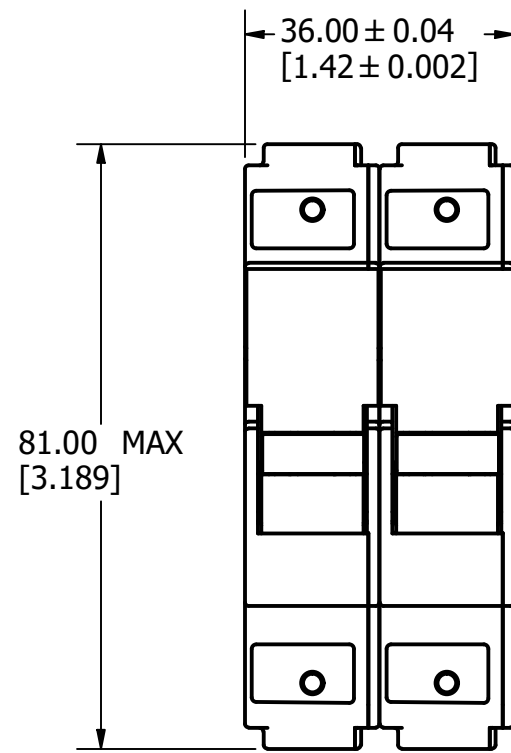
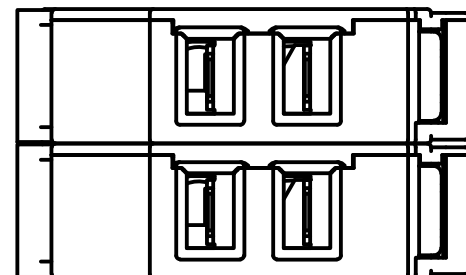
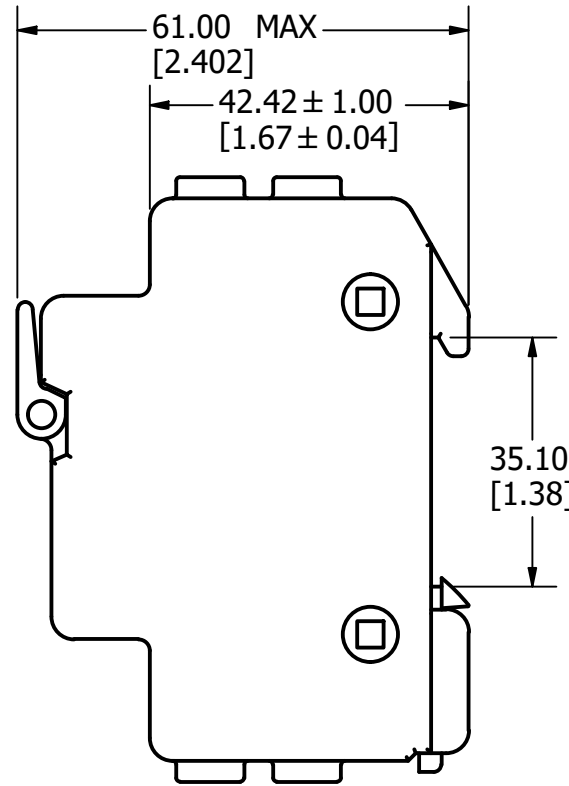
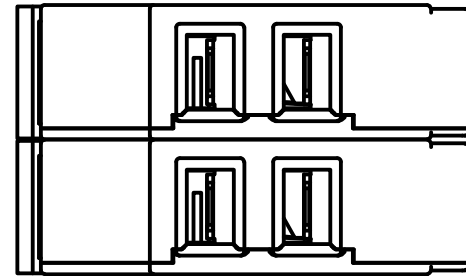


REVISION		
REV	DATE	DESCRIPTION
A	9/2/22	525636GCP - RELEASE MRY
B	11/3/22	525897ECP/C - ADD DEPTH DIMENSION MRY



SPECIFICATIONS:

VOLTAGE RATING: 600VAC/DC

AMPERE RATING: 30 AMPERES

INTERRUPT RATING: 100kA

TERMINAL TYPE: 1/4" QUICK CONNECT

APPROVALS: UL RECOGNIZED (E14721)
 CSA CERTIFIED (LR7316)
 CCC APPROVED (2010010308391538)

1	NO	COMPONENT NO	DESCRIPTION	QTY/M	U/M
BILL OF MATERIAL					
<S>	CRITICAL CHARACTERISTIC FOR PART SAFETY/COMPLIANCE				
●	DENOTES CRITICAL CHARACTERISTICS.				
CPK	DENOTES CPK DIMENSIONS, -MINIMUM CPK VALUE				
⊆	DENOTES A CHARACTERISTIC THAT PROVIDES AN INDICATION OF PROCESS PERFORMANCE. PROCEDURE FOR MEASUREMENT AND TRACKING TO BE DEFINED IN LITTELFUSE INSPECTION INSTRUCTIONS.				
CP	DENOTES CP DIMENSIONS, -MINIMUM CP VALUE MUST BE WITHIN THE DIMENSIONAL LIMITATIONS SHOWN ON DRAWING AND INITIALLY LOCATED TO ALLOW FOR MAXIMUM TOOL LIFE.				
MATL SPEC			FINISH		
DRW JMOLER	DATE 8/26/2022	SCALE NTS	FINISH GOOD WT GRAMS/PIECE		
UNLESS OTHERWISE SPECIFIED, DIMENSIONS ARE IN MILLIMETERS, DIMENSIONS IN BRACKETS [] ARE INCHES DIMENSIONING AND DO NOT INCLUDE PLATING. TOLERANCING TO BE INTERPRETED IN ACCORDANCE WITH ANSI Y14.5M-1994					
3RD ANGLE PROJECTION					
TITLE LPSM002QCID OUTLINE					
Littelfuse CHICAGO, ILLINOIS 60631		REVISION B	DRWG NO. OL-LPSM002QCID	SHEET 1 OF 1	