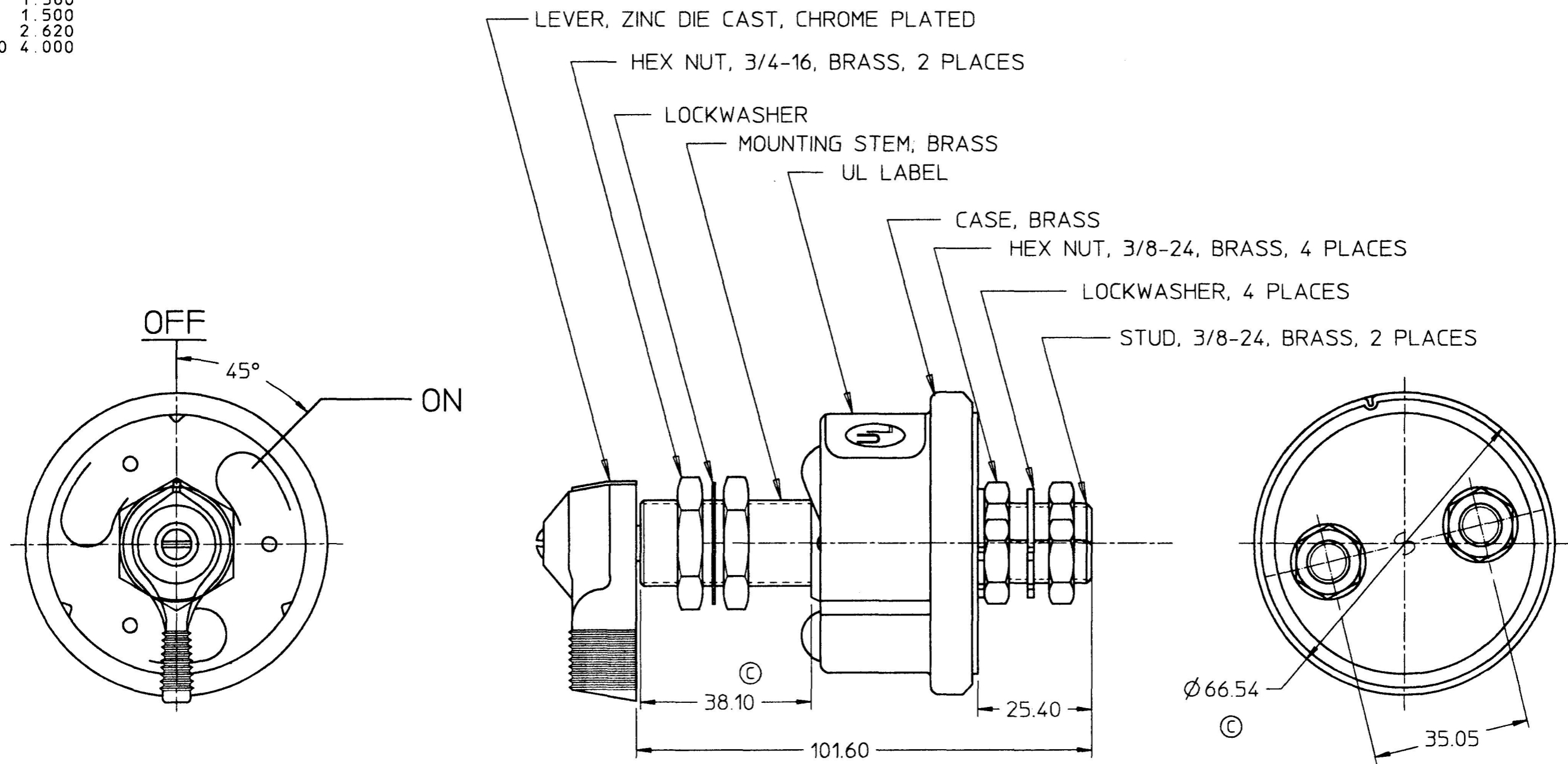


| MM | IN |
|--------|-------|
| 25.40 | 1.000 |
| 35.05 | 1.380 |
| 38.10 | 1.500 |
| 66.54 | 2.620 |
| 101.60 | 4.000 |



- NOTES:
1. SILVER LAMINATED CONTACT SURFACES
 2. CONTINOUS RATING:
175 AMPS 6-12-24-36 VOLTS DC
INTERMITTENT RATING:
800 AMPS 6-12-24-36 VOLTS DC
15 SECONDS ON, 5 MINUTES OFF
 3. ALL DIMENSIONS REFERENCE ONLY
 4. ALL STEEL PARTS PLATED
 5. IGNITION PROTECTED

DO NOT SCALE

| LET. | WAS | DATE | BY | LET. | WAS | DATE | BY | MATERIAL | DRAWN | CHK | APVD | SCALE | DATE DRAWN |
|------|-----|------|----|------|-------------------------|---------|-----|------------------------------------|---|-----|------|-------|---------------------------|
| | | | | | | | | | JAV | AF | | 1:1 | 2/8/79 |
| | | | | | | | | FINISH | Cole Hersee Co. 20 OLD COLONY AVENUE, BOSTON, MA., U.S.A., 02127 | | | | DATE BLUEPRINTED |
| | | | | C | PUT ON CAD ECN 26179 | 5/14/96 | DPS | TOLERANCES DECIMAL ± ANGLE ± | | | | | SWITCH, MASTER DISCONNECT |
| | | | | | ISSUED | 8/16/79 | PY | | | | | | |

METRIC