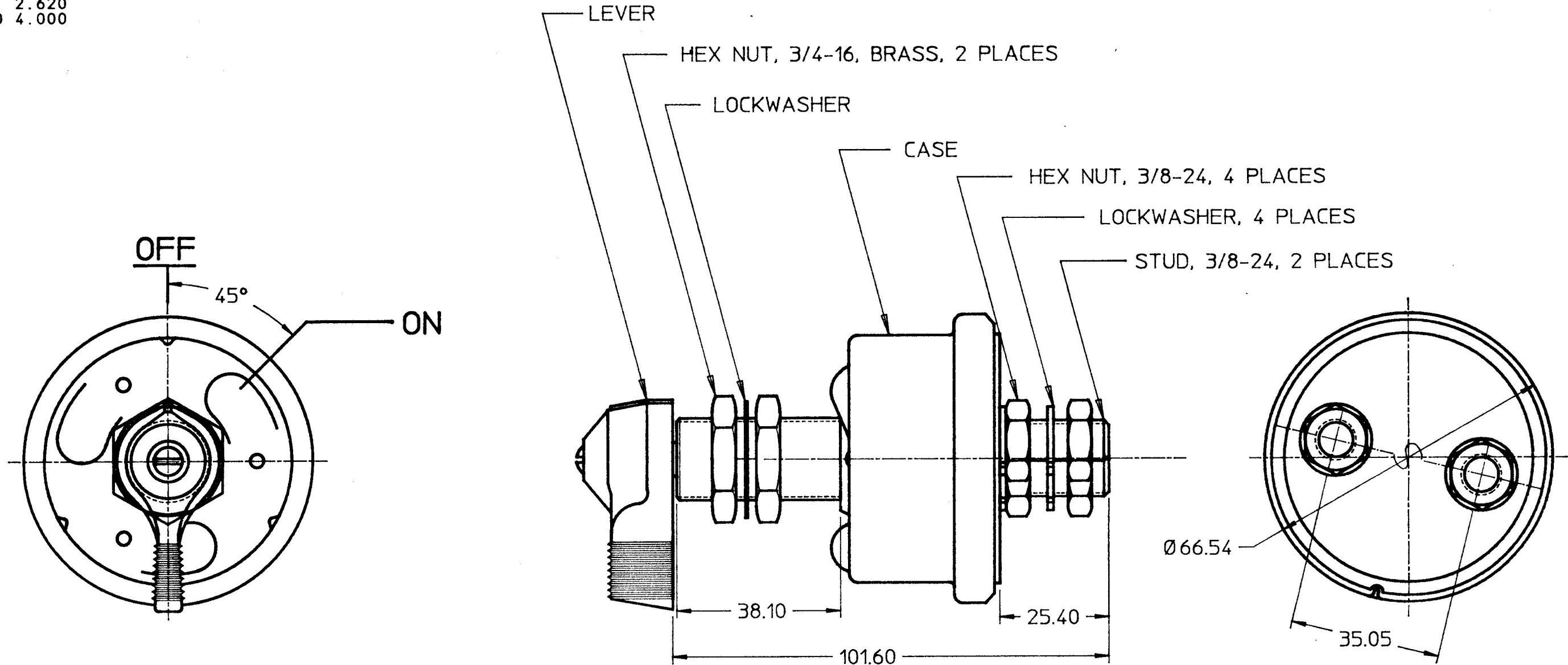


MM	IN
25.40	1.000
35.05	1.380
38.10	1.500
66.54	2.620
101.60	4.000



- NOTES:
- SILVER LAMINATED CONTACT SURFACES
 - CONTINUOUS RATING:
175 AMPS 6-12-24-36 VOLTS D.C.
INTERMITTENT RATING:
1000 AMPS 6-12-24-36 VOLTS D.C.
15 SECONDS ON, 5 MINUTES OFF
 - ALL DIMENSIONS REF. ONLY

DO NOT SCALE
CAD GENERATED

LET.	WAS	DATE	BY	LET.	WAS	DATE	BY	MATERIAL	DRAWN	CHK	APVD	SCALE	DATE DRAWN
									PJB	AF		1:1	12/28/58
								FINISH	 <small>30 OLD COLONY AVENUE SOUTH BOSTON MA. U.S.A. 02127</small>				DATE BLUEPRINTED
								TOLERANCES DECIMAL ± ANGLE ±					SWITCH, MASTER DISCONNECT
				N	PUT ON CAD NO CHANGES	1/29/90	DPS						

METRIC