

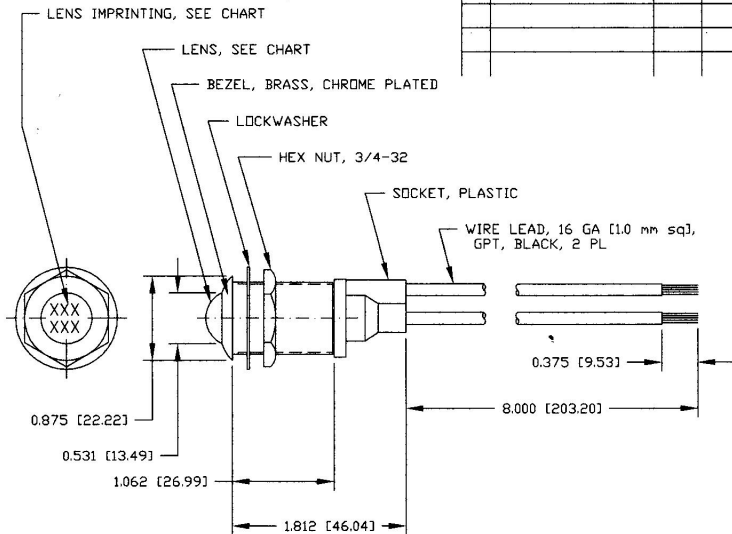
Revision Control Record

Rev.	Description of Change	ECN No.	Date
R	REVISED CHART, ADDED NOTE 2 & 3	03653	11/19/03

M-320-GD000	GREEN	NDNE	24V (356)				
M-320-GC000	GREEN	NDNE	12V (53)				
M-320-GB000	GREEN	NDNE	6V (51)				
M-320-GA000	GREEN	NDNE	NDNE				
M-320-CD000	CLEAR	NDNE	24V (356)				
M-320-CC000	CLEAR	NDNE	12V (53)				
M-320-CB000	CLEAR	NDNE	6V (51)				
M-320-CA000	CLEAR	NDNE	NDNE	M-320-RD000	RED	NDNE	24V (356)
				M-320-RC005	SEE SEPERATE DRAWING		
M-320-BD000	BLUE	NDNE	24V (356)	M-320-RC003	RED	OIL	12V (53)
M-320-BC000	BLUE	NDNE	12V (53)	M-320-RC002	RED	ALT	12V (53)
M-320-BB000	BLUE	NDNE	6V (51)	M-320-RC001	RED	WATER	12V (53)
M-320-BA000	BLUE	NDNE	NDNE	M-320-RC000	RED	NDNE	12V (53)
				M-320-RB000	RED	NDNE	6V (51)
M-320-AD000	AMBER	NDNE	24V (356)	M-320-RA000	RED	NDNE	NDNE
M-320-AC000	AMBER	NDNE	12V (53)	PART NO.	COLOR	IMPRINT	BULB (VOLTAGE)
					LENS		
M-320-AB000	AMBER	NDNE	6V (51)				
M-320-AA000	AMBER	NDNE	NDNE				
PART NO.	COLOR	IMPRINT	BULB (VOLTAGE)	Use On or Ref:	Scale: 4:1	Drawn By: EPC	Date Drawn: 6/17/54

Tolerances. Unless otherwise specifically noted, the following are default tolerances:
 * Linear Dimensional Dimensional $\pm .015$
 * Spline Dimensional Dimensional $\pm .005$
 * Angular Dimensional $\pm .1$ Deg.
 * Metric: Refer to equivalent English Dimensional Tolerance
 *** NOTE: All tolerances are Non-Cumulative. ***

Dimensional Units. All dimensions are expressed in inches unless shown otherwise in brackets (mm) are expressed in millimeters.



NOTES:

- ALL STEEL PARTS PLATED
- ALL DIMENSIONS ARE REFERENCE ONLY
- SOCKET ACCEPTS BA15d BASE BULB (DOUBLE CONTACT BAYONET BULB)

PROPRIETARY INFORMATION. This Engineering Drawing, and the information contained herein, is proprietary to Cole Hersee Company and may not be disclosed, reproduced, or in any other way transmitted or communicated to any other party without the express written consent of an authorized representative of Cole Hersee Company.

DESIGN CONTROL. It is the responsibility of the individual using/referencing this drawing to ensure that the stated design revision level agrees with the revision level of the Controlled Document (Master Drawing). This is a non-CONTROLLED DOCUMENT unless otherwise specifically noted.

DO NOT SCALE - Dimensional variations may occur during printing/ reproduction.

Special Characteristics:

Critical Characteristics: relating to Safety and/or Regulatory Compliance

Significant Characteristics: relating to Process Control (SPC)

Key Characteristics: relating to Form - Fit - Function as defined by Cole Hersee Company and/or the Customer

(Note that the identification of any Characteristics as being "Special" does not alter the requirement that ALL specified dimensions & tolerances must be met.)

Responsible Engineer: N/A Pg. 1

Cole Hersee Co.

20 Old Colony Ave., South Boston, MA, 02127
 Phone 617-368-3100 Web: www.colehersee.com

Description:

PILOT LIGHT

Drawing /

M-320

Current Rev.

R