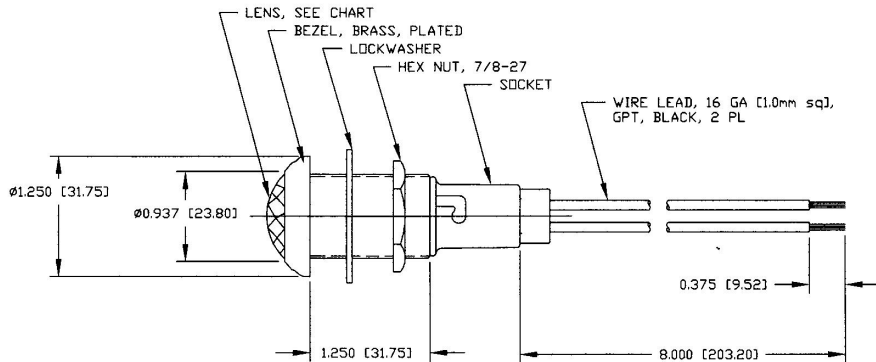


Revision Control Record

Rev.	Description of Change	ECN No.	Date
P	REVISED DRAWING	03702	12/18/03

PT NO	LENS COLOR	BULB
M-326-RD000	RED	24V
M-326-RC000	RED	12V (68)
M-326-RA000	RED	NONE
M-326-GD000	GREEN	24V
M-326-GC000	GREEN	12V (68)
M-326-GA000	GREEN	NONE
M-326-CD000	CLEAR	24V
M-326-CC000	CLEAR	12V (68)
M-326-CA000	CLEAR	NONE
M-326-BD000	BLUE	24V
M-326-BC000	BLUE	12V (68)
M-326-BA000	BLUE	NONE
M-326-AD000	AMBER	24V
M-326-AC000	AMBER	12V (68)
M-326-AA000	AMBER	NONE



NOTES:

1. ALL STEEL PARTS PLATED
2. ALL DIMENSIONS ARE REFERENCE ONLY
3. SEE CHART FOR ITEMS SUPPLIED WITH BULB ASSEMBLED
4. SOCKET ACCEPTS BA15d BASE BULB (DOUBLE CONTACT BAYONET BASE)
5. WEATHERPROOF CONSTRUCTION LENS SEALED WITH GASKET

Tolerances: Unless otherwise specifically noted, the following are default tolerances:

- Unless Stated: Dimensional $\pm 0.01"$
- Unless Stated: Dimensional $\pm 0.005"$
- Angular Dimensioning: ± 1.0 Deg.
- Metric: Refer to equivalent English Dimension Tolerance
- **NOTE:** All tolerance are Non-Cumulative, not

Dimensional Limits: All dimensions are expressed in inches except those shown in brackets (mm) are expressed in millimeters

SEE: "or as Shown" = Non-Toleranced Reference Dimension shown for identification purposes only.

PROPRIETARY INFORMATION: This Engineering Drawing, and the information contained herein, is proprietary to Cole Hersee Company and may not be disclosed, reproduced, or in any other way transmitted or communicated to any other party without the express written consent of an authorized representative of Cole Hersee Company.

DESIGN CONTROL: It is the responsibility of the individual using/ referring this drawing to ensure that the noted design revision here agrees with the revision level of the Controlled Document (Master Drawing). This is a NON-CONTROLLED DOCUMENT unless otherwise specifically noted.

ISO 9001 P0016: Dimensional variation may occur during printing/ reproduction.

Special Characteristics:

- ⊕ Critical Characteristics, relating to Safety and/or Regulatory Compliance
- ⓧ Significant Characteristics relating to Process Control (SPC)
- Ⓞ Control Characteristics relating to Form - Fit - Function as defined by Cole Hersee Company and/or the Customer

Note that the identification of any Characteristics as being "Special" does not alter the requirement that ALL specified dimensions & tolerances must be met.

Used On or As: **Boat: 1:1**

Drawn **QFC**

Date **8/14/04**

Responsible **NA**

Engineer **NA**

Pg. 1 of 1

Cole Hersee Co.
 30 Old Colony Ave., South Boston, MA, 02127
 Phone: 617-258-3100 Website: www.colehersee.com

PILOT LIGHT

Drawing/ Part No: **M-326-CHART** P