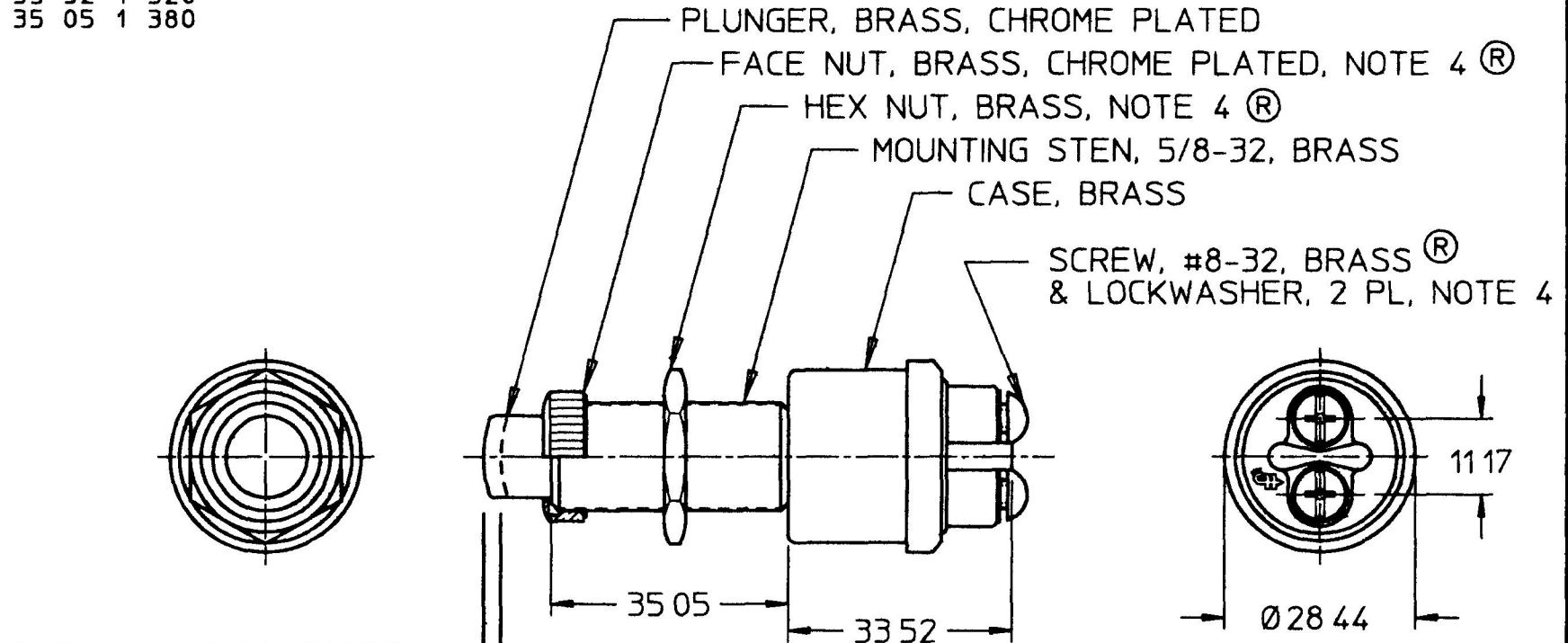


M490

MM	IN
11 17	0 440
28 44	1 120
33 52	1 320
35 05	1 380



NORMALLY OPEN

CLOSED

SELF RETURN  
TO NORMALLY  
OPEN POSITION

(R) NOTES

- 1 ALL DIMENSIONS ARE REFERENCE ONLY
- 2 SILVERED CONTACT SURFACES
- 3 RATING  
12V DC 35 AMPS  
24V DC 20 AMPS
- 4 PARTS MAYBE ASSEMBLED OR  
SUPPLIED IN A BAG

METRIC

DO NOT SCALE

LET	WAS	DATE	BY	LET	WAS	DATE	BY	MATERIAL	DRAWN	CHK	APVD	SCALE	DATE DRAWN
									RD	JMP		11	12/14/53
								FINISH	<b>Cole Hersee Co.</b> 20 OLD COLONY AVENUE, BOSTON, MA., U.S.A., 02127				DATE BLUEPRINTED
				R	ECN #26936	7/24/97	AJS	TOLERANCES	SW, P-P, MOM				M490
				P	PUT ON CAD	7/26/96	DPS	DECIMAL ± ANGLE ±					