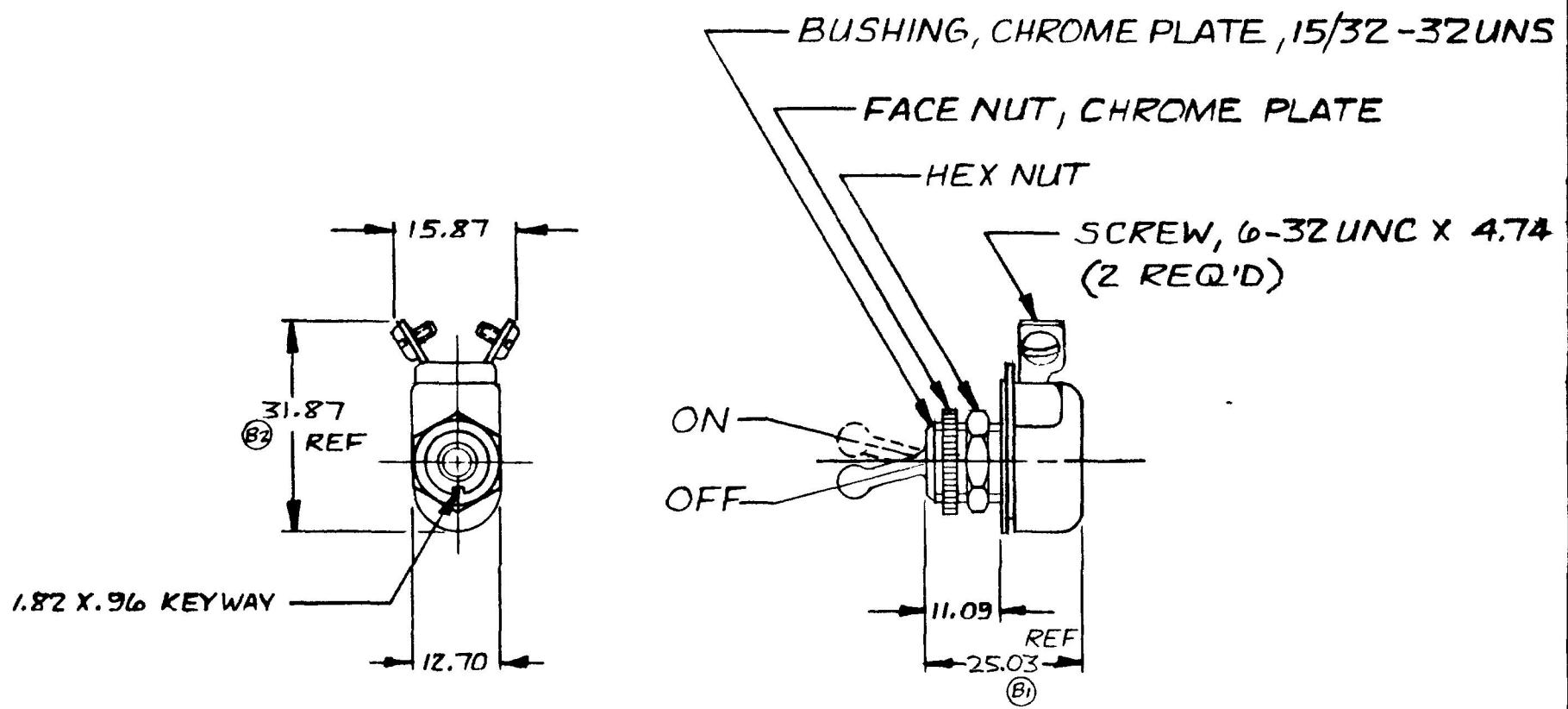


MM	IN
.25	.010
.96	.038
1.82	.072
11.09	.437
12.70	.500
25.03	1.025
31.87	1.255
41.14	1.617
15.87	.625

REF
5507

M 493



METRIC

DO NOT SCALE

LET	WAS	DATE	BY	LET	WAS	DATE	BY	MATERIAL	DRAWN	CHECKED	APPRV D	SCALE	DATE DRAWN
								H	RJS	DPS		1:1	7-6-54
								FINISH	 20 OLD COL. ST. LYNN, MASS. SOUTH BOSTON MA U.S.A. 02127				DATE BLUEPRINT
								H					
				B	NICKEL PLATED	21749	8-9-82		TOLERANCES DECIMAL ± METRIC ±				DATE DRAWN
				B1	RE-DRAWN	237	8-9-82						
				B2		1.281			TOGGLE SWITCH				M 493

CH-188(4-78)