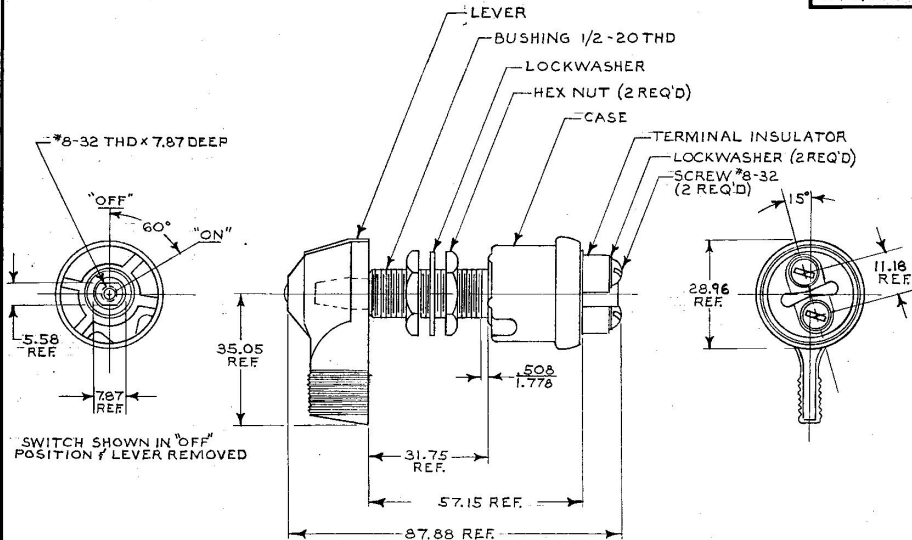



M497

| | |
|-------|-------|
| MM | IN |
| 25.00 | 0.984 |
| 1.778 | 0.070 |
| 5.88 | 0.230 |
| 7.87 | 0.310 |
| 11.18 | 0.440 |
| 28.96 | 1.140 |
| 31.75 | 1.250 |
| 35.05 | 1.380 |
| 57.15 | 2.250 |
| 87.88 | 3.460 |

METRIC

Confidential Property of Cole Hersee

DO NOT SCALE

| LET. | WAS | DATE | BY | LET. | WAS | DATE | BY | MATERIAL | DRAWN | CHECKED | APPRVD. | SCALE | DATE DRAWN |
|------|-----|------|----|------|---------|---------|----|------------|---|--------------------|---------|-------|----------------------|
| | | | | | | | | <i>H</i> | M | <i>[Signature]</i> | | 1:1 | 1-25-60 |
| | | | | | | | | FINISH | | | | | DATE BLUEPRINT |
| | | | | | | | | TOLERANCES |  Cole Hersee Co. <small>PHILADELPHIA, PENNSYLVANIA, U.S.A. 19107</small> | | | | |
| | | | | | | | | DECIMAL ± | | | | | ROTARY SWITCH |
| | | | | | | | | METRIC ± | M497 | | | | |
| | | | | E | REDRAWN | 12-3-64 | YK | | | | | | |

BRUNING 40-21 63765

CH-188(4-78)