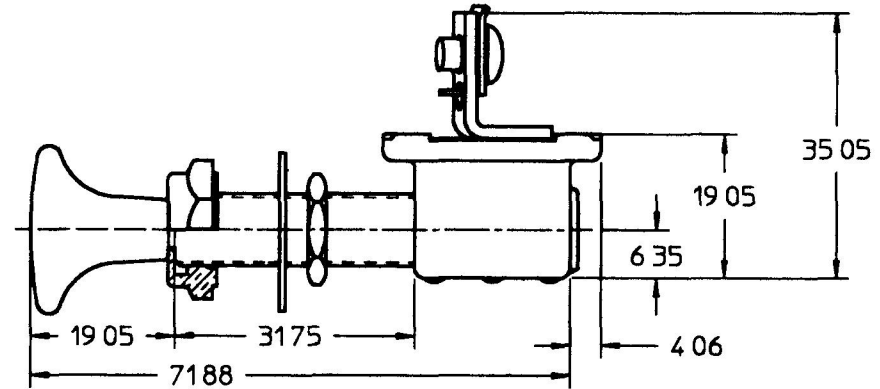
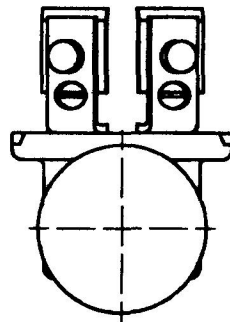
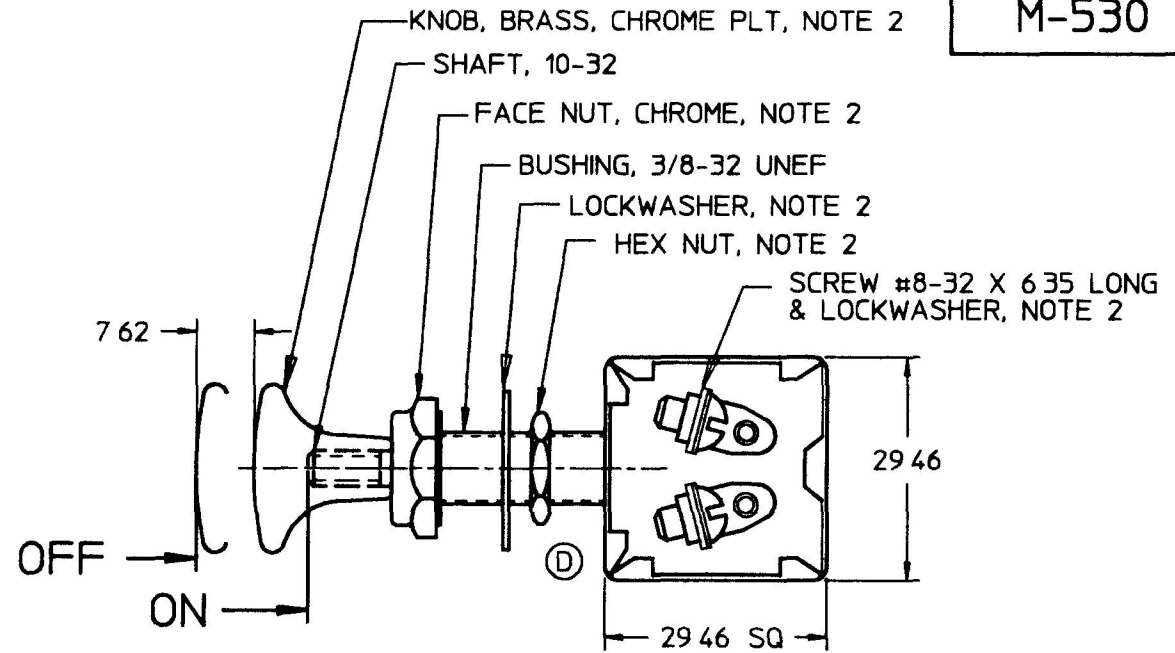


MM	IN
4 06	0 160
6 35	0 250
7 62	0 300
19 05	0 750
22 09	0 870
29 46	1 160
31 75	1 250
35 05	1 380
71 88	2 830

M-530



METRIC

- NOTES
 1 ALL DIMENSIONS ARE REFERENCE
 2 KNOB AND HARDWARE SHIPPED LOOSE
 (E)

DO NOT SCALE

LET	WAS	DATE	BY	LET	WAS	DATE	BY	MATERIAL	DRAWN	CHK	APVD	SCALE	DATE DRAWN
									S	DR		11	3/24/94
				E	ECN #99173	05/13/99	JRF	FINISH	Cole Hersee Co. 20 OLD COLONY AVENUE, BOSTON, MA, U.S.A. 02127				DATE BLUEPRINTED
				D	ECN #27164 ADDED CUTOUT	12/31/97	JMP	TOLERANCES	SW,P-P,2POS,2POL				M-530
				C	PUT ON CAD ECN #26975	8/22/97	AJS	DECIMAL ± ANGLE ±					