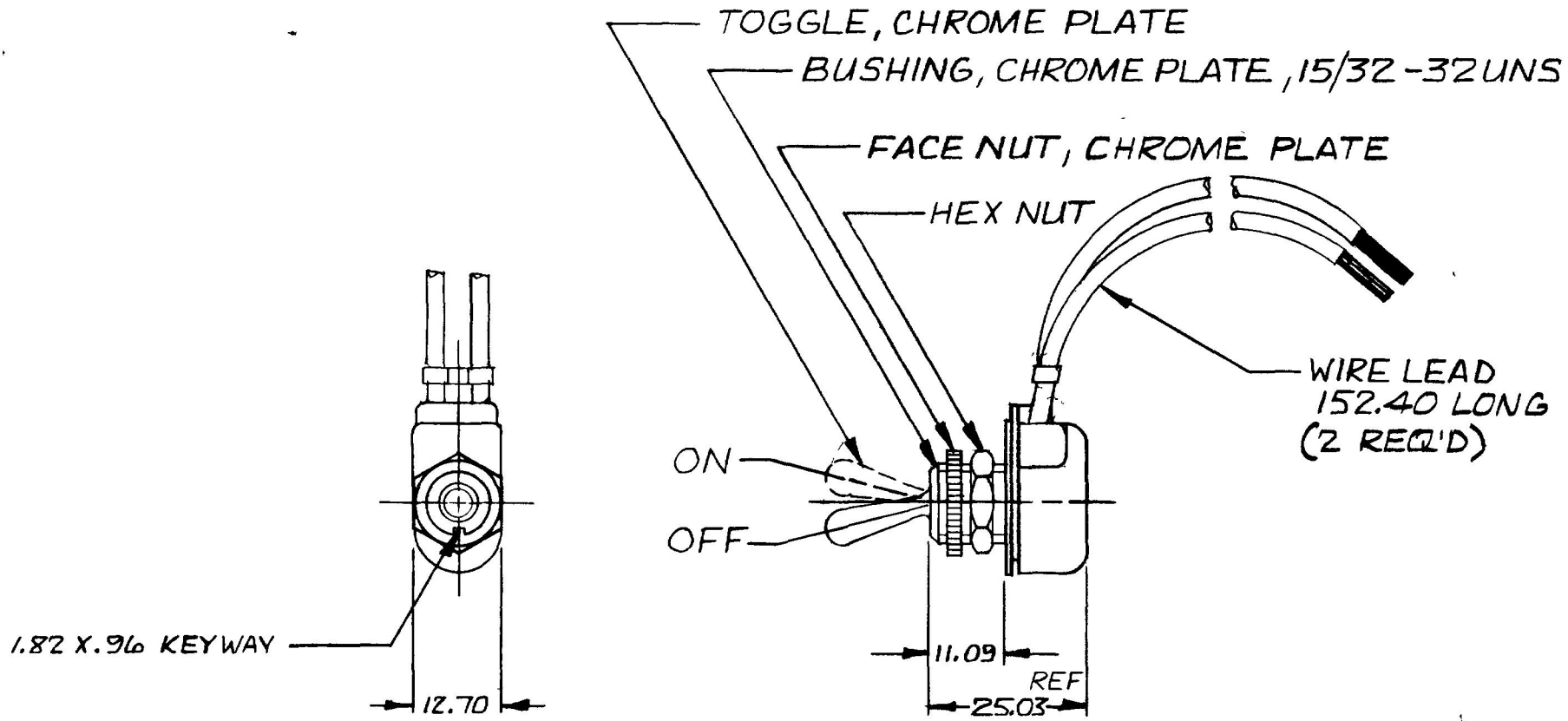


MM IN

|        |       |
|--------|-------|
| .25    | .010  |
| .96    | .038  |
| 1.82   | .072  |
| 11.09  | .437  |
| 12.70  | .500  |
| 25.03  | 1.025 |
| 152.40 | 6.000 |

M 584



METRIC

DO NOT SCALE

| LET | WAS | DATE | BY | LET | WAS         | DATE  | BY     | MATERIAL   | DRAWN   | CHECKED        | APPRV D | SCALE | DATE DRAWN     |
|-----|-----|------|----|-----|-------------|-------|--------|------------|---|----------------|---------|-------|----------------|
|     |     |      |    |     |             |       |        | H          | EA  | DPS<br>8-19-82 |         | 1:1   | 11-27-56       |
|     |     |      |    |     |             |       |        | FINISH     | <br>Cole Hersee Co.<br><small>20 OLD COLONY AVENUE SOUTH BOSTON MA U.S.A. 02127</small> |                |         |       | DATE BLUEPRINT |
|     |     |      |    |     |             |       |        | TOLERANCES |   |                |         |       | TOGGLE SWITCH  |
|     |     |      |    | B   | REV REDRAWN | 21749 | 8-9-82 | (R)        | DECIMAL ±   |                |         |       |                |
|     |     |      |    |     |             |       |        |            | METRIC ±  |                |         |       |                |

CH-188(4-78)