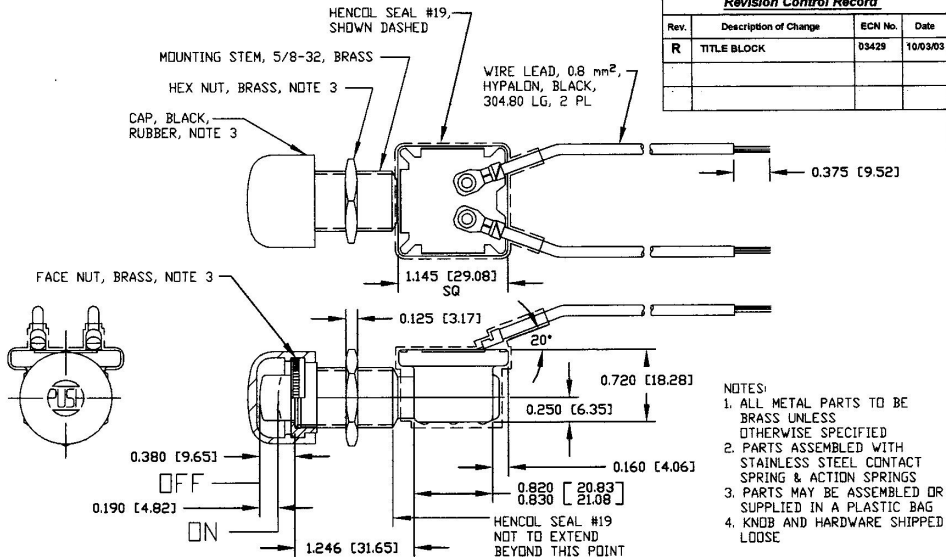


Revision Control Record

Rev.	Description of Change	ECN No.	Date
R	TITLE BLOCK	03429	10/03/03



- NOTES:
1. ALL METAL PARTS TO BE BRASS UNLESS OTHERWISE SPECIFIED
 2. PARTS ASSEMBLED WITH STAINLESS STEEL CONTACT SPRING & ACTION SPRINGS
 3. PARTS MAY BE ASSEMBLED OR SUPPLIED IN A PLASTIC BAG
 4. KNOB AND HARDWARE SHIPPED LOOSE

Tolerances: Unless otherwise specifically noted, the following are default tolerances:
 * 3-place Decimal Dimensions $\pm .01$ "
 * 5-place Decimal Dimensions $\pm .0001$ "
 * Angular Dimensions ± 1.0 Deg.
 * Holes: Refer to equivalent English Dimensional Tolerance
 *** NOTE: All tolerances are Non-Cumulative. ***

Dimensional Units: All dimensions are expressed in inches except those shown in brackets (xx) are expressed in millimeters

"REF." or an Arrowed "M" = Non-Tolerance Reference Dimension, shown for identification purposes only.

PROPRIETARY INFORMATION: This Engineering Drawing, and the information contained herein, is proprietary to Cole Horse Company and may not be disclosed, reproduced, or in any other way transferred or communicated to any other party without the express written consent of an authorized representative of Cole Horse Company.

DESIGN CONTROL: It is the responsibility of the individual using/referencing this drawing to ensure that the noted design revision level agrees with the revision level of the Dimensional Document (shop Drawing). This is a non-controling position unless otherwise specifically noted.

DO NOT SCALE: Dimensional variation may occur during printing/ reproduction.

Special Characteristics:

- Critical Characteristics, relating to Safety and/or Regulatory Compliance
- Key Characteristics relating to Process Control (PPC)
- Key Characteristics relating to Form - Fit - Function as defined by Cole Horse Company and/or the Customer

Note that the identification of any Characteristics as being "Critical" does not alter the requirement that ALL specified dimensions & tolerances must be met.

Cole Horse Co.
 20 Old Colony Ave., South Boston, MA, 02127
 Phone: 617-288-2100 Web: www.colehorse.com

Description: **SWITCH, MOM**

Drawing/Part No.: **M-608** Current Rev.: **R**