

M712-09

APPLICABLE SAE STANDARD OR  
RECOMMENDED PRACTICE SAE J259

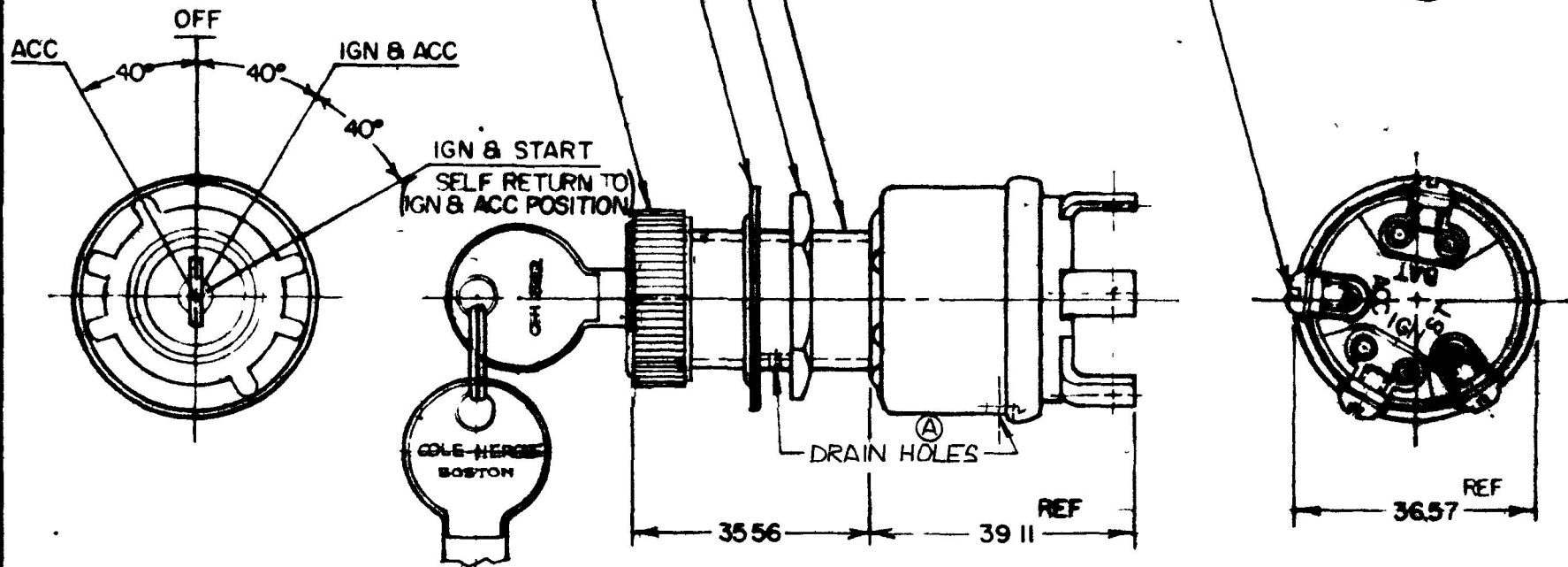
FACE NUT & BOOT SA

ADAPTER WASHER - BRASS, CHROME PLT

HEX NUT - BRASS

13/16-24UNS-2A THD

SCREW - 8-32 UNC-2A, BRASS,  
W/L WASHER -  
4 REQ'D (B)



NOTE  
1. ALL EXTERIOR METAL PARTS PLAIN BRASS UNLESS NOTED  
2. TUMBLER & KEYS - BRASS, NICKEL PLT (RINGED)  
SUPPLIED IN 10 SETS

METRIC

DO NOT SCALE

LET	WAS	DATE	BY	LET	WAS	DATE	BY	MATERIAL	DRAWN	CHECKED	APPRV D	SCALE	DATE DRAWN
								—	RMT	6-12-79		T:1	5-31-79
								FINISH					DATE BLUEPRINT
				B	ECN 23741	5-19-88	JK		 <b>IGN &amp; START SWITCH</b> (4 POSITION)				M712-09
				A	REV DRAIN HOLE 21032	2-22-82	(B)	TOLERANCES FRACTIONAL ± DECIMAL ±.25					