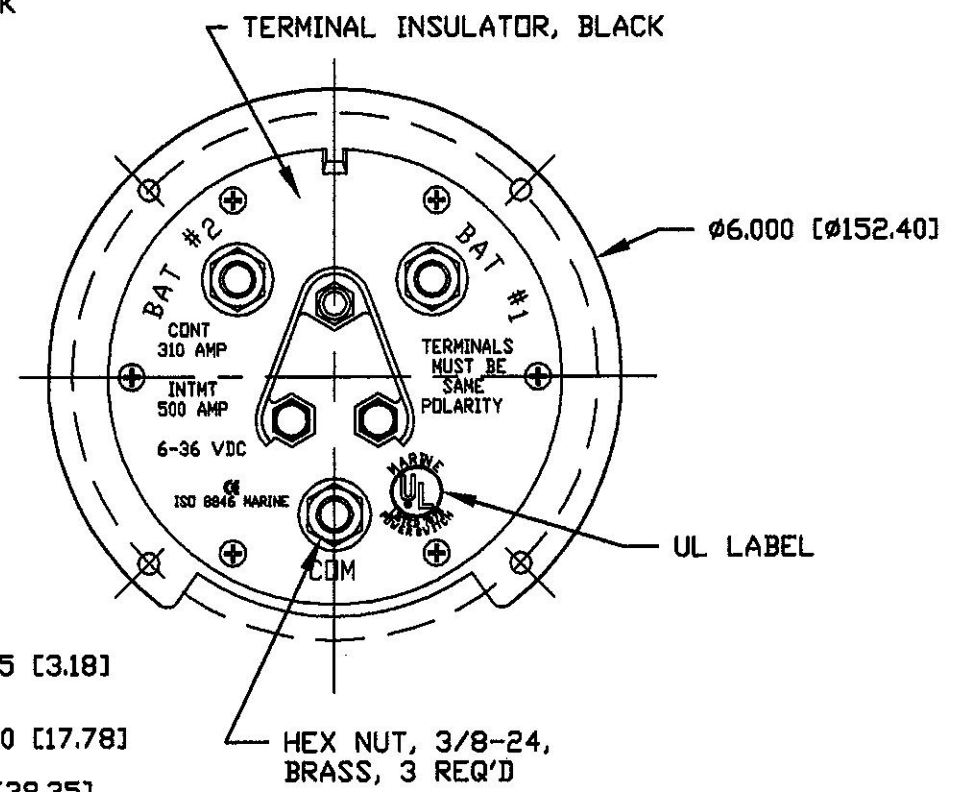
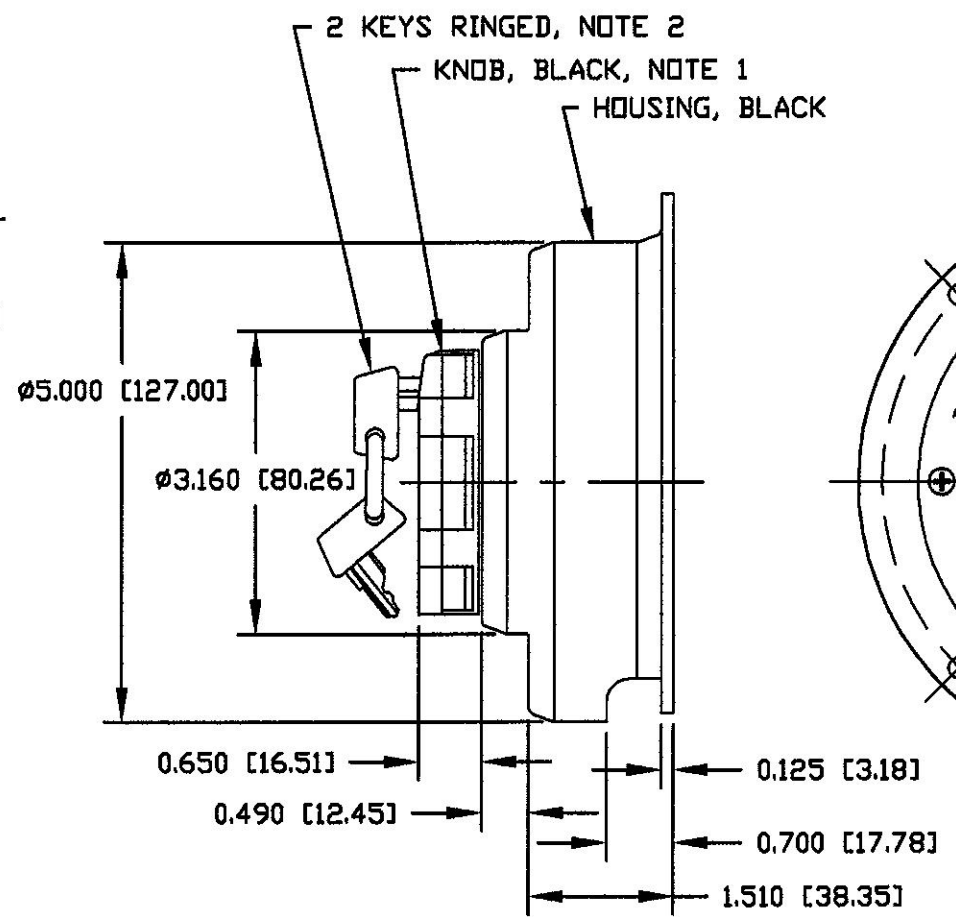
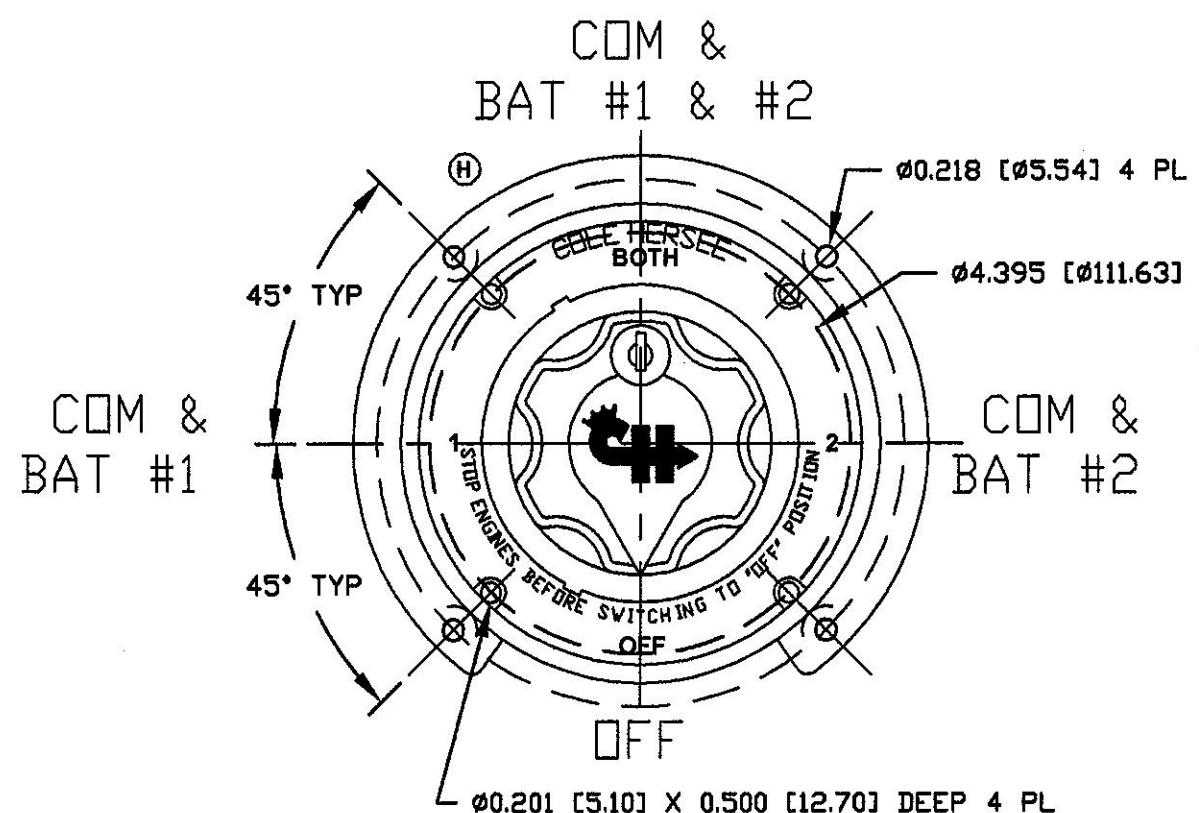
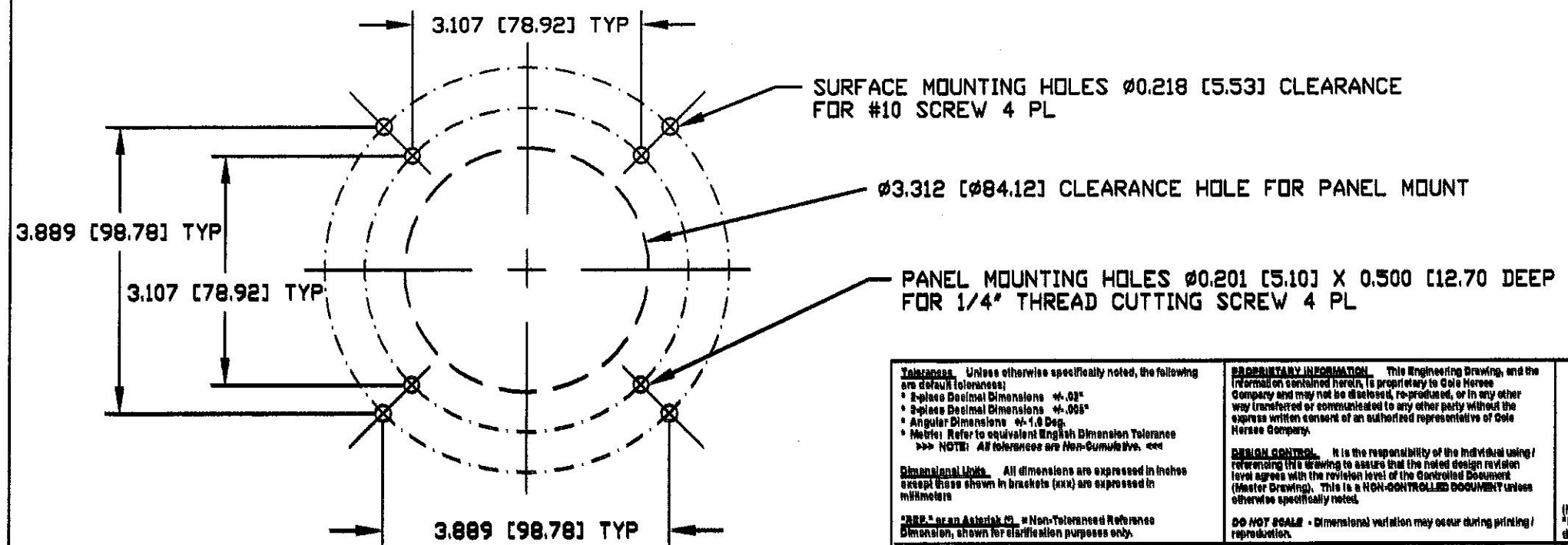


Revision Control Record			
Rev.	Description of Change	ECN No.	Date
H	DELETE "BOSTON USA"	04224	08/25/04
J	BOM CHANGE	07017	01/29/07



MOUNTING INFORMATION



- NOTES:
1. KNOB LOCKED IN 'OFF' POSITION ONLY
 2. KEY REMOVEABLE WITH KNOB LOCKED OR UNLOCKED

<p>Tolerances: Unless otherwise specifically noted, the following are default tolerances:</p> <ul style="list-style-type: none"> • 2-place Decimal Dimensions ±.02" • 3-place Decimal Dimensions ±.005" • Angular Dimensions ±1.0 Deg. • Metric: Refer to equivalent English Dimensional Tolerance <p>»» NOTE: All tolerances are Non-Cumulative. ««</p> <p>Dimensional Units: All dimensions are expressed in inches except those shown in brackets (xxx) are expressed in millimeters</p> <p>REF. or an Asterisk (*) - Non-Tolerance Reference Dimension, shown for clarification purposes only.</p>	<p>PROPRIETARY INFORMATION: This Engineering Drawing, and the information contained herein, is proprietary to Cole Hersee Company and may not be disclosed, re-produced, or in any other way transferred or communicated to any other party without the express written consent of an authorized representative of Cole Hersee Company.</p> <p>DESIGN CONTROL: It is the responsibility of the individual using/reviewing this drawing to assure that the noted design revision level agrees with the revision level of the Controlled Document (Master Drawing). This is a NON-CONTROLLED DOCUMENT unless otherwise specifically noted.</p> <p>DO NOT SCALE - Dimensional variation may occur during printing/reproduction.</p>	<p>Special Characteristics:</p> <ul style="list-style-type: none"> ◆ Critical Characteristic, relating to Safety and/or Regulatory Compliance X Significant Characteristic relating to Process Control (SPC) Ⓚ Control Dimension relating to Form - Fit - Function as defined by Cole Hersee Company and/or the Customer <p>(Note that the identification of any Characteristics as being "Special" does not alter the requirement that ALL specified dimensions & tolerances must be met.)</p>	<p>Cole Hersee Co.</p> <p>20 Old Colony Ave., South Boston, MA, 02127</p> <p>Phn: 617-266-2100 Web: www.colehersee.com</p>	
			<p>Use On: M780 W/LOCK</p> <p>or Ref: WX23189A</p>	<p>Scale: 1:2</p>
<p>Description: SW BAT SELECTOR WITH LOCK</p>			<p>Drawing/Part No.: M-751</p>	<p>J</p>