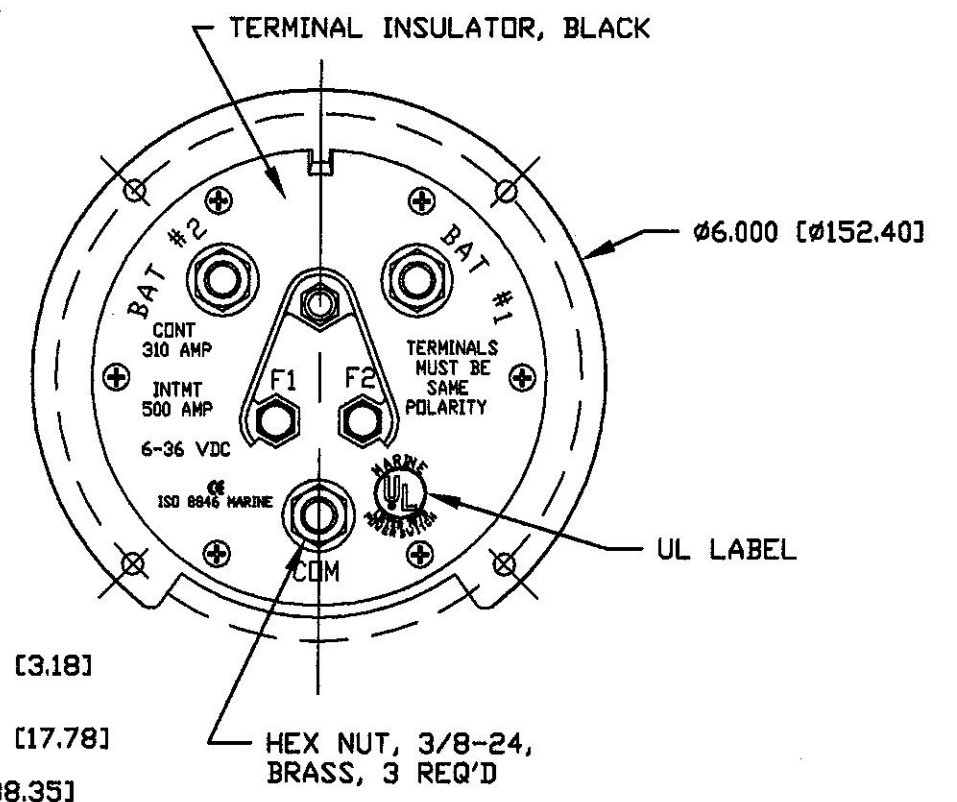
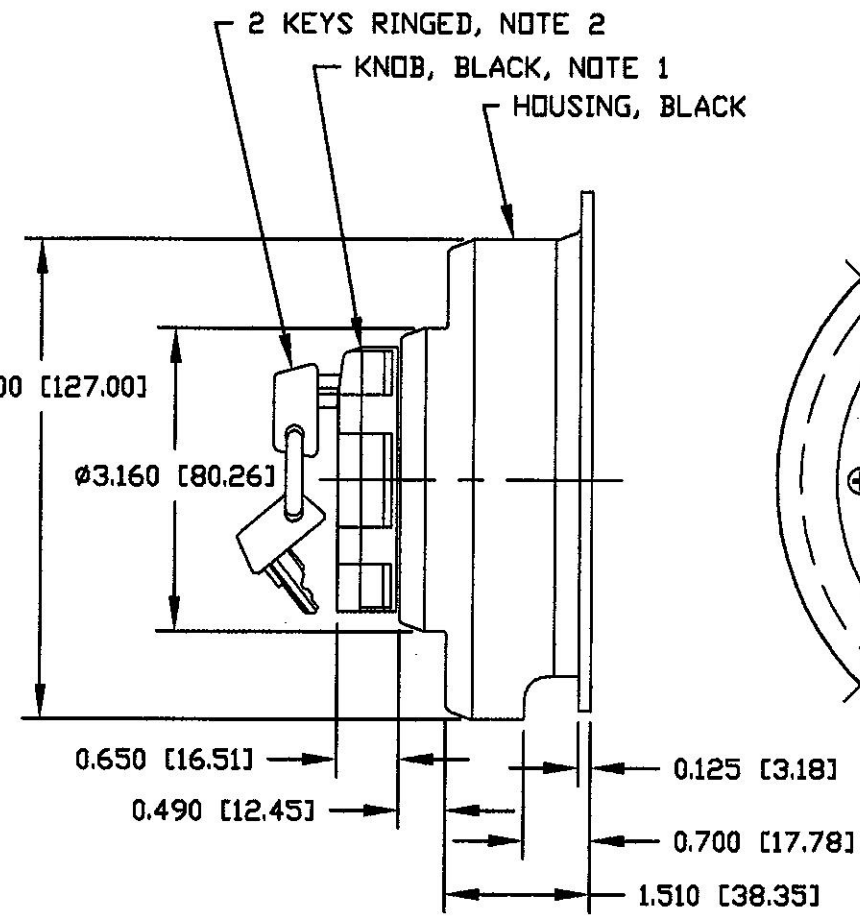
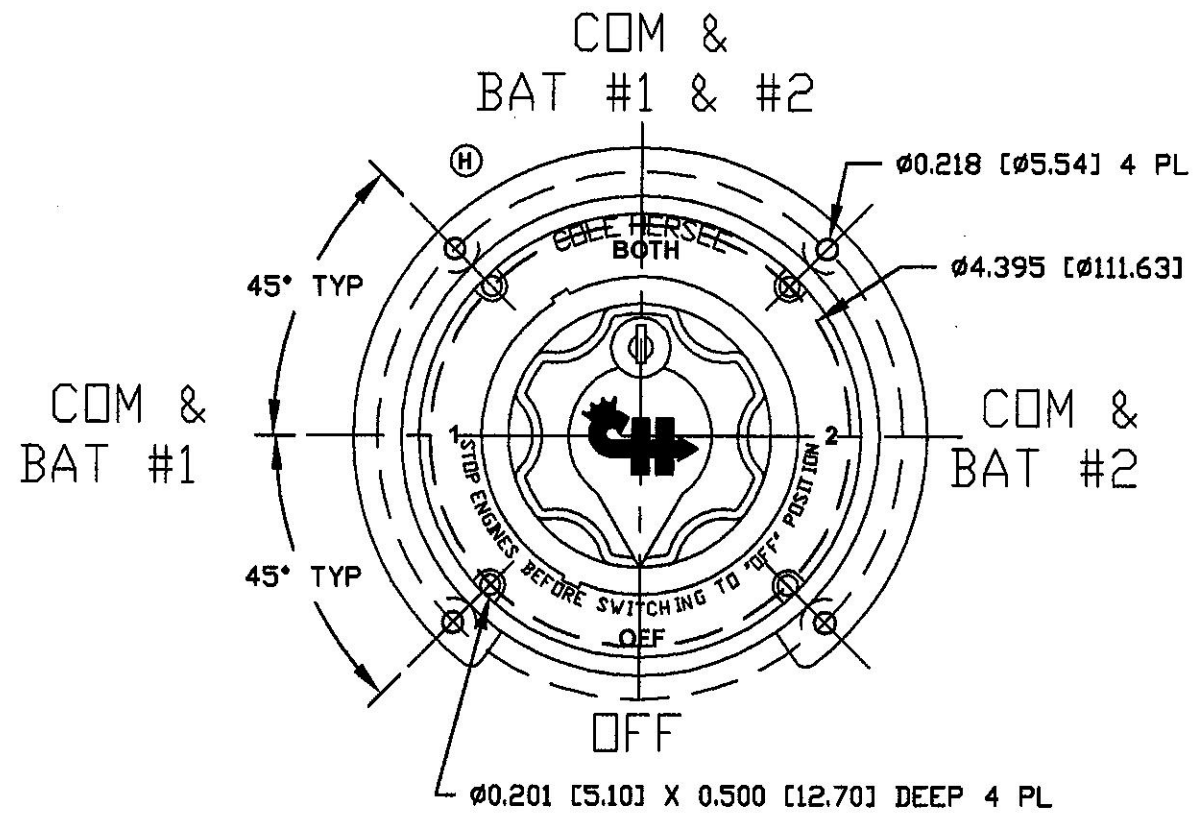
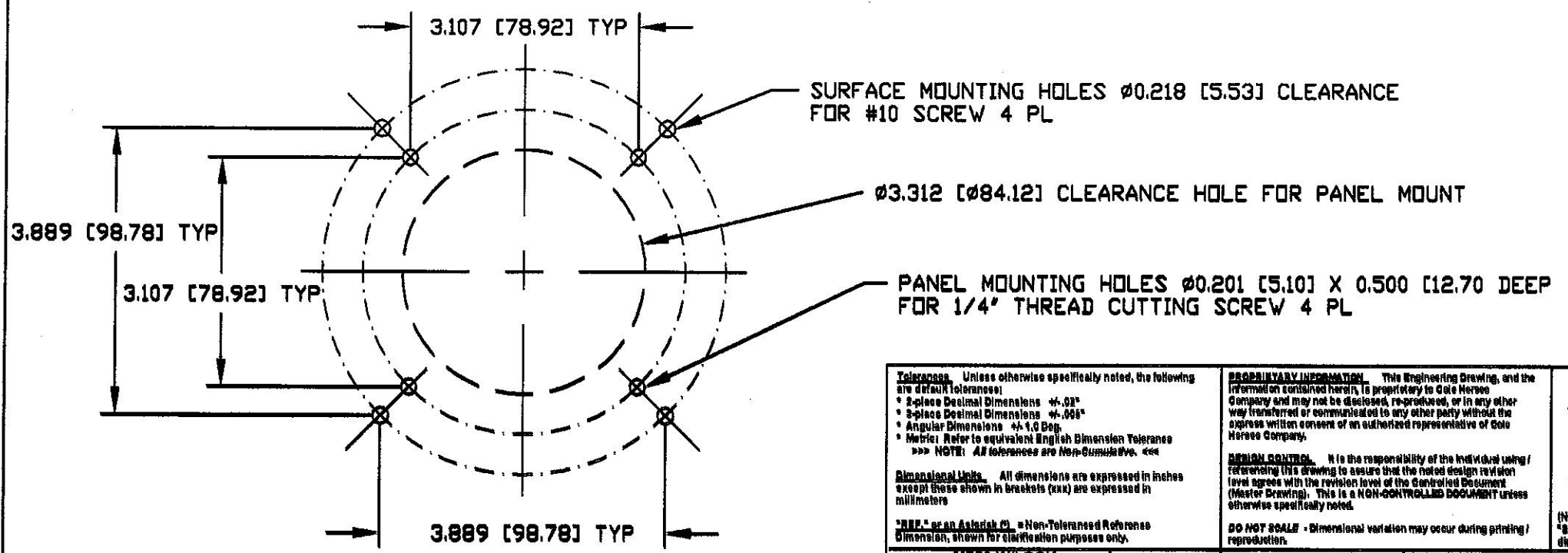


Revision Control Record			
Rev.	Description of Change	ECN No.	Date
K	BOM CHANGE	07017	01/29/07



**MOUNTING INFORMATION**



- NOTES:**  
 1. KNOB LOCKED IN 'OFF' POSITION ONLY  
 2. KEY REMOVEABLE WITH KNOB LOCKED OR UNLOCKED

<p><b>Tolerances</b> Unless otherwise specifically noted, the following are default tolerances:          * 2-place Decimal Dimensions <math>\pm .02</math>"          * 3-place Decimal Dimensions <math>\pm .008</math>"          * Angular Dimensions <math>\pm 1.0</math> Deg.          * Metric: Refer to equivalent English Dimension Tolerances          &gt;&gt;&gt; NOTE: All tolerances are Non-Cumulative. &lt;&lt;&lt;</p> <p><b>Dimensional Units</b> All dimensions are expressed in inches except those shown in brackets (xxx) are expressed in millimeters</p> <p>*XXX* or an Asterisk (*) = Non-Toleranced Reference Dimension, shown for clarification purposes only.</p>	<p><b>PROPRIETARY INFORMATION</b> This Engineering Drawing, and the information contained herein, is proprietary to Cole Hersee Company and may not be disclosed, re-produced, or in any other way transferred or communicated to any other party without the express written consent of an authorized representative of Cole Hersee Company.</p> <p><b>REVISION CONTROL</b> It is the responsibility of the individual using / referencing this drawing to ensure that the noted design revision level agrees with the revision level of the Controlled Document (Master Drawing). This is a NON-CONTROLLED DOCUMENT unless otherwise specifically noted.</p> <p><b>DO NOT SCALE</b> - Dimensional variation may occur during printing / reproduction.</p>	<p><b>Special Characteristics:</b></p> <p>⊠ Critical Characteristic, relating to Safety and/or Regulatory Compliance</p> <p>X Significant Characteristic relating to Process Control (SPC)</p> <p>Ⓚ Control Dimension relating to Form - Fit - Function as defined by Cole Hersee Company and/or the Customer</p> <p>(Note that the identification of any Characteristics as being "Special" does not alter the requirement that ALL specified dimensions &amp; tolerances must be met.)</p>	<p><b>Cole Hersee Co.</b>          20 Old Colony Ave., South Boston, MA, 02127          Ptnl 617-268-2100 Web: www.colehersee.com</p> <p><b>Description:</b>  <b>SW BAT SELECTOR W/FIELD CIRCUIT &amp; LOCK</b></p>			
				<p>Used On: M750 W/LOOK or Ref: BX23188C</p>	<p>Scale: <b>1:2</b></p>	<p>Drawn By: <b>DPS</b></p>