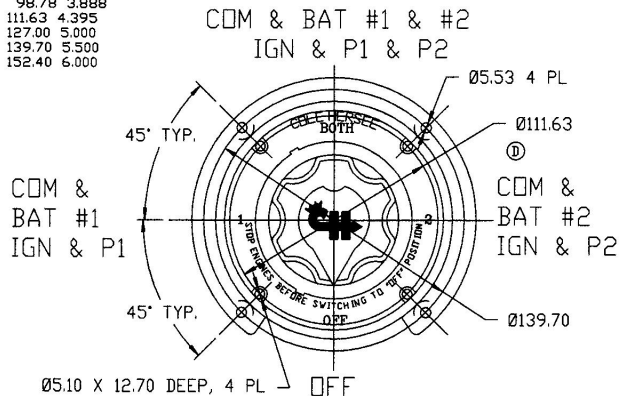
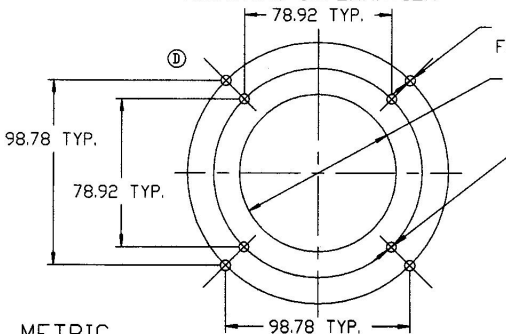


MM	IN
3.17	0.125
5.10	0.201
5.53	0.218
12.45	0.490
12.70	0.500
16.51	0.650
17.78	0.700
38.35	1.510
78.92	3.107
80.26	3.160
84.12	3.312
98.78	3.888
111.63	4.395
127.00	5.000
139.70	5.500
152.40	6.000



MOUNTING INFORMATION

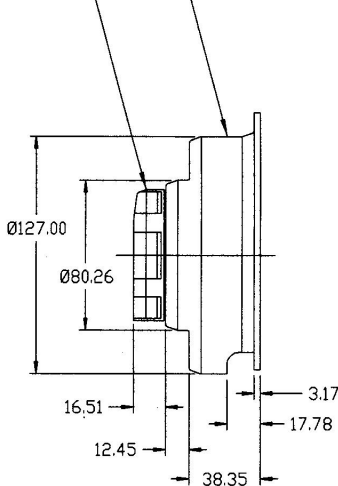


SURFACE MOUNTING HOLES Ø5.53 CLEARANCE FOR #10 SCREW 4 PL

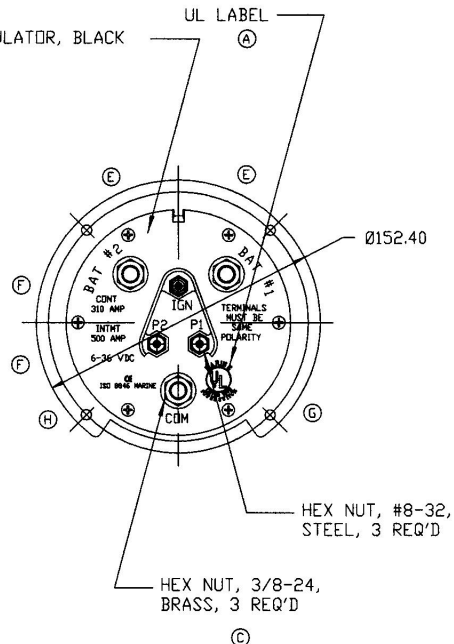
CLEARANCE HOLE FOR PANEL MOUNT Ø84.12

PANEL MOUNTING HOLES Ø5.10 X 12.70 DEEP FOR 1/4" THREAD CUTTING SCREW 4PL

HOUSING, BLACK
KNOB, BLACK



TERMINAL INSULATOR, BLACK



Confidential Property of Cole Hersee

DO NOT SCALE

LET.	WAS	DATE	BY	LET.	WAS	DATE	BY	MATERIAL	DRAWN	CHK	APVD	SCALE	W750 WITH PILOT LIGHT CKTS/ EX23169D	DATE DRAWN
J	EDH 8484	7/7/88	DPS	D	EDH 8458B	4/24/90	RD		DPS			1/2		5/9/89
H	EDH 8430C	12/29/87	JMP	C	BRASS, EDH 8482E	1/9/90	RD	FINISH						DATE BLUEPRINTED
G	EDH 8430B	9/5/90	RD	B	EDH 8481A	11/15/89	JP							
F	EDH 8448M	8/1/90	RD	A	RELOCATED UL LABEL, EDH 8476A	9/18/89	DPS	TOLERANCES DECIMAL ± ANGLE ±						
E	EDH 8447I	7/28/90	RD		ISSUED									

CH Cole Hersee Co.
20 OLD COLONY AVENUE, BOSTON, MA, U.S.A. 02127
SW BAT SELECTOR WITH PILOT LIGHT CIRCUIT

METRIC